
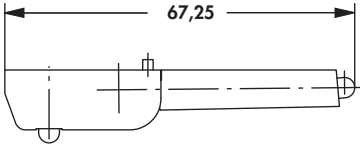
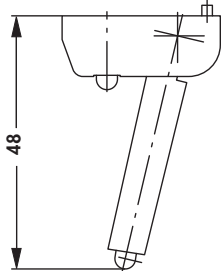
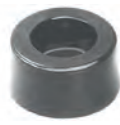
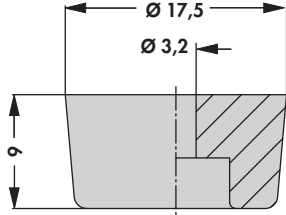

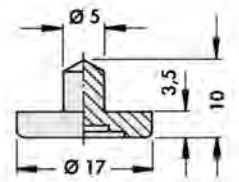


## Accessories for cases


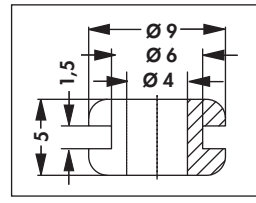
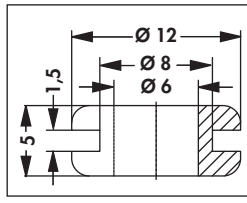
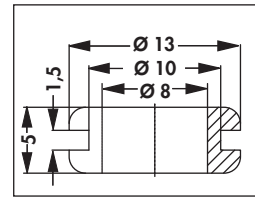
### Tilt foot

		
<b>art. no.</b>	mounting	type of delivery
<b>AF 1</b>	by screws	set (2 pcs. with tilt bracket / 2pcs.without tilt bracket+assembly material)
<b>colour:</b>	black	
<b>material:</b>	glass fibre filled polyamide with rubber insert (skid and scratch resistant)	

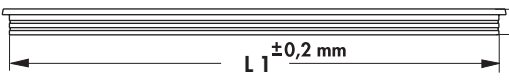

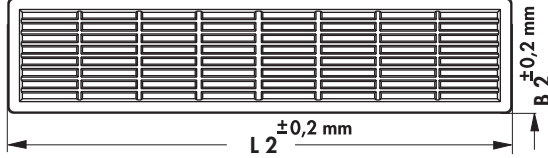
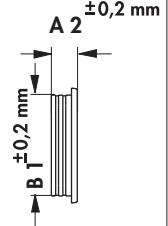
### Feet

			
<b>art. no.</b>	mounting	<b>art. no.</b>	mounting
<b>GF 1759</b>	by screws	<b>GF 1710</b>	by pressing into the chassis drilling

### Bushings

			
	<b>KDF 49</b>	<b>KDF 612</b>	<b>KDF 813</b>
<b>art. no.</b>	mounting	<b>art. no.</b>	mounting
<b>KDF 49</b>	by pressing into the chassis drilling	<b>KDF 813</b>	by pressing into the chassis drilling
<b>KDF 612</b>			
<b>colour:</b>	black		
<b>material:</b>	impact proof polystyrene (tri-soluble)		

### Ventilation-frames

							
<b>art. no.</b>	mounting	dim. [mm]					
<b>LB 1504 SW</b>	for fixingA plastic-glue is suitable	L 1	L 2	A 1	A 2	B 1	B 2
		144.5	149	6.5	8.2	35	40