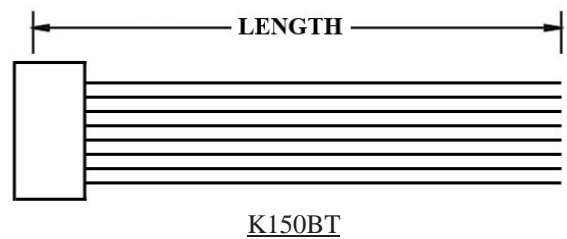
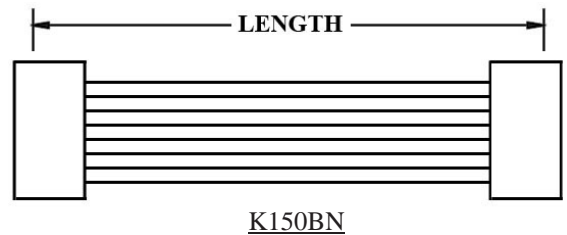
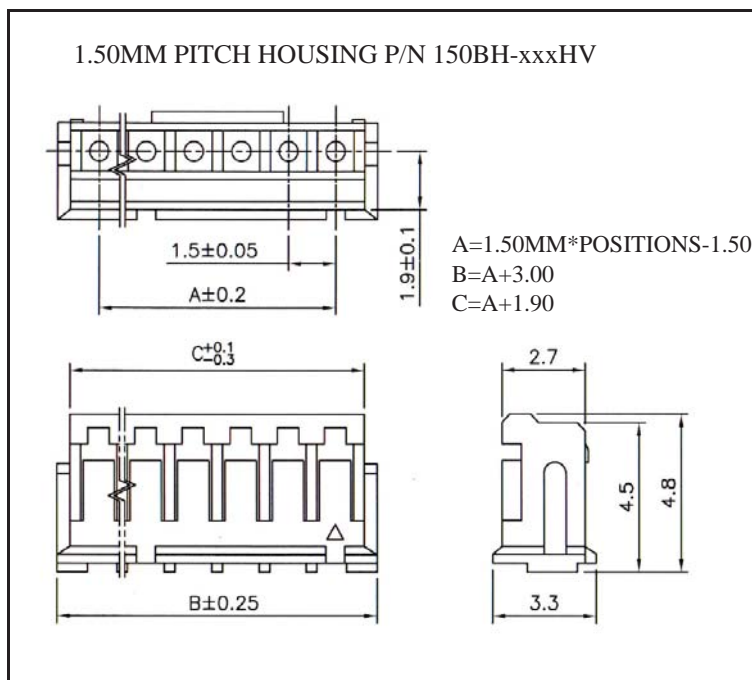
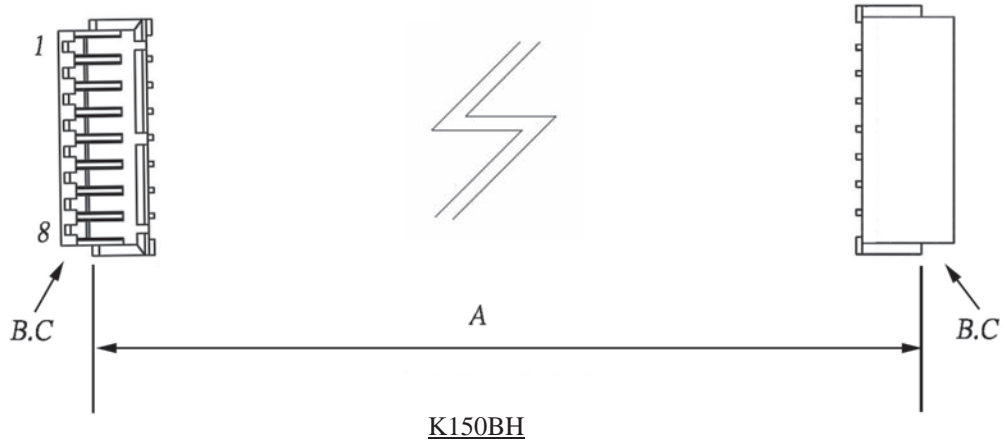


WIRE HARNESS CABLE WITH 2*1.50MM PITCH WIRE-TO-BOARD CRIMPED HOUSINGS



ORDERING INFORMATION:

P/N **K** **x** **x** **x** **x** **x** **x** - **x** **x** **C M**

1 2 3

1. HOUSING TYPE AT 2 ENDS:
 "150BH" 1.50MM PITCH ZHR TYPE HOUSING TO HOUSING (WIRING 1:1)
 "150BN" DITTO, BUT SAME DIRECTION OF CONTACTS AT 2 ENDS (WIRING 1:N)
 "150BT" DITTO, BUT HOUSING TO 3MM TINNED END
2. NO. OF CONTACTS:
 02~13
3. LENGTH IN CM (CENTIMETERS)