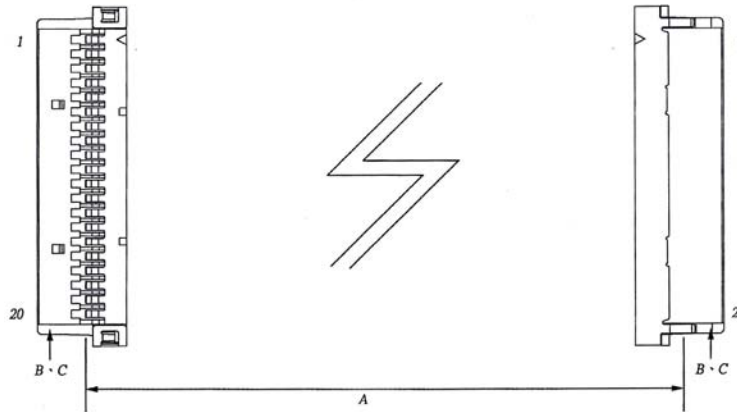
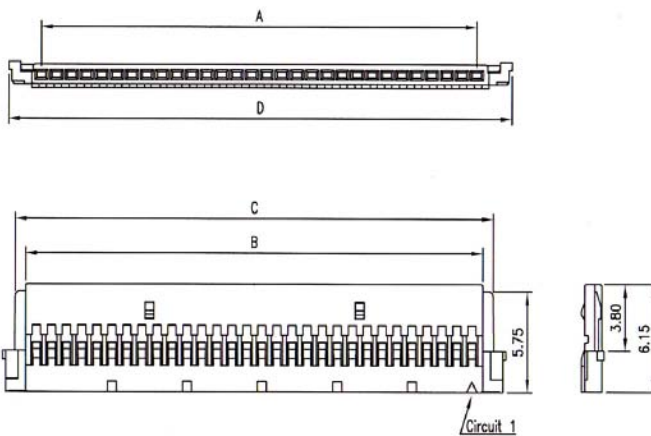


## WIRE HARNESS CABLE WITH 2\*1.00MM PITCH WIRE-TO-BOARD CRIMPED HOUSINGS



K100DH

1.00MM PITCH HOUSING P/N 100DH-xxxHV

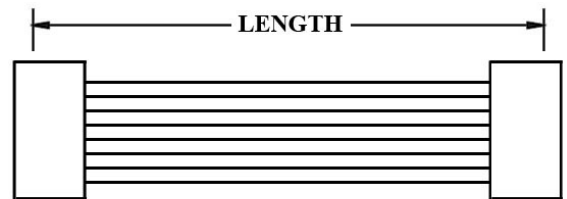


$$A = 1.00 * \text{POSITIONS} - 1.00$$

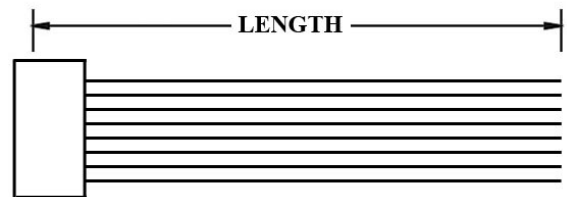
$$B = A + 1.44$$

$$C = A + 2.90$$

$$D = A + 4.50$$



K100DN



K100DT

### ORDERING INFORMATION:

P/N **K** 1 2 3 **CM**

1. HOUSING TYPE AT 2 ENDS:

"100DH" 1.00MM PITCH DF19 TYPE HOUSING TO HOUSING (WIRING 1:1)

"100DN" DITTO, BUT SAME DIRECTION OF CONTACTS AT 2 ENDS (WIRING 1:N)

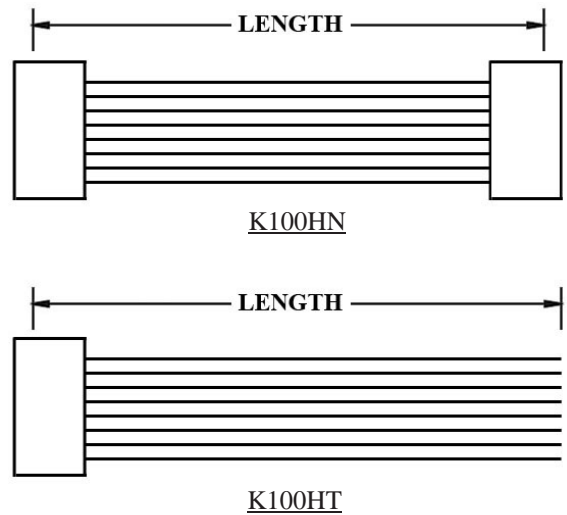
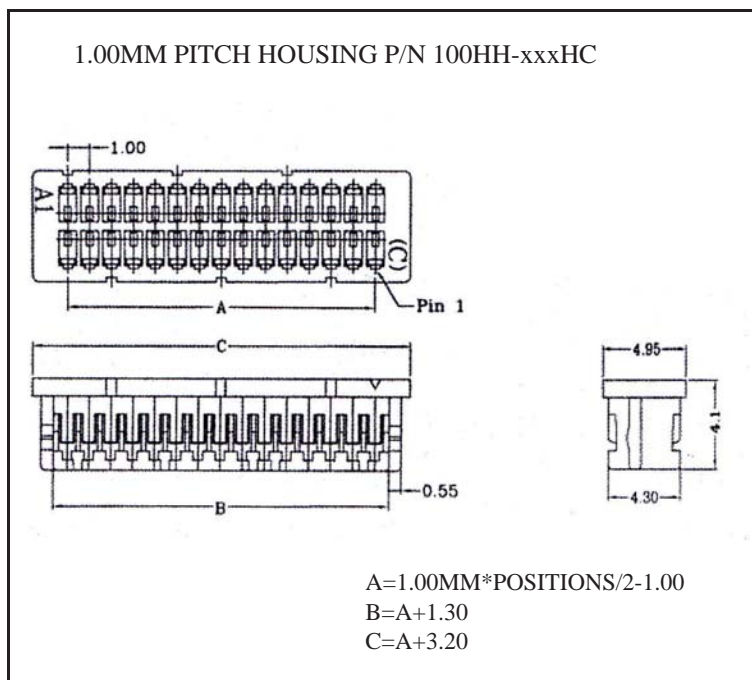
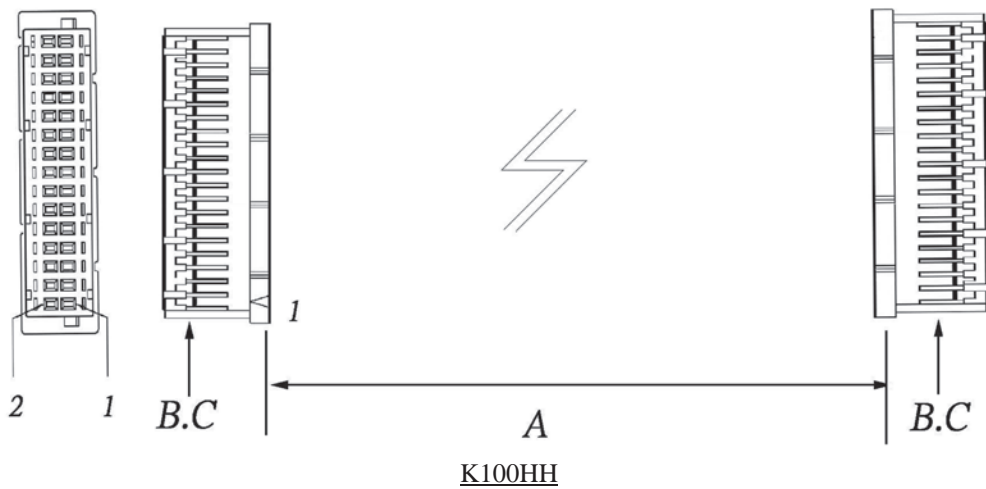
"100DT" DITTO, BUT HOUSING TO 3MM TINNED END

2. NO. OF CONTACTS:

08, 10, 14, 20, 30

3. LENGTH IN CM (CENTIMETERS)

# WIRE HARNESS CABLE WITH 2\*1.00MM PITCH WIRE-TO-BOARD CRIMPED HOUSINGS



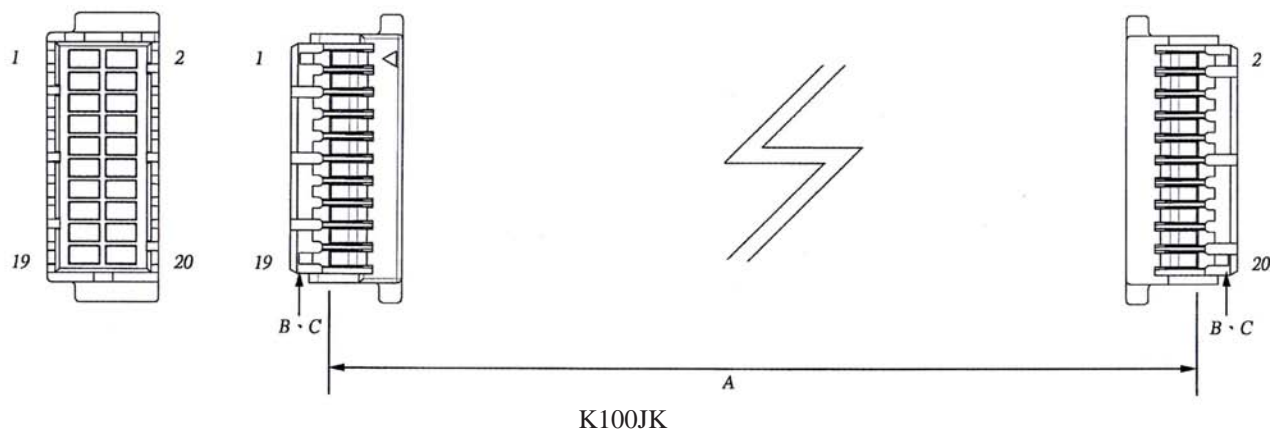
## ORDERING INFORMATION:

P/N **K** 1 2 3 **C M**

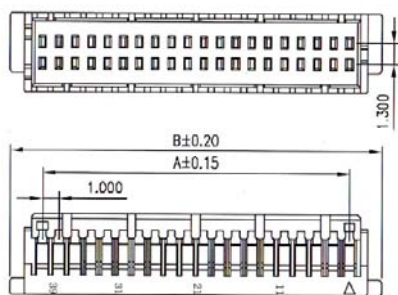
1. HOUSING TYPE AT 2 ENDS:  
 "100HH" 1.00MM PITCH DF20 TYPE HOUSING TO HOUSING (WIRING 1:1)  
 "100HN" DITTO, BUT SAME DIRECTION OF CONTACTS AT 2 ENDS (WIRING 1:N)  
 "100HT" DITTO, BUT HOUSING TO 3MM TINNED END
2. NO. OF CONTACTS:  
 30, 40
3. LENGTH IN CM (CENTIMETERS)



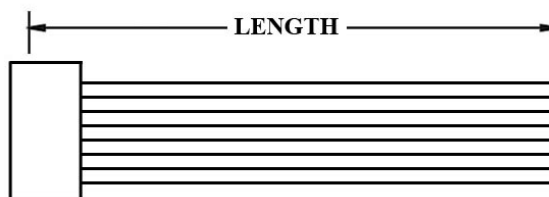
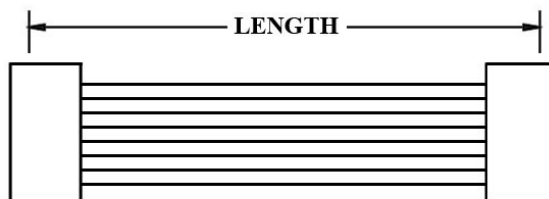
## WIRE HARNESS CABLE WITH 2\*1.00MM PITCH WIRE-TO-BOARD CRIMPED HOUSINGS



### 1.00MM PITCH HOUSING P/N 100JK-xxxHW



No. of Contacts	Dimensions(mm)	
	A	B
20	9.00	13.00
30	14.00	18.00
40	19.00	23.00
50	24.00	28.00



### ORDERING INFORMATION:

P/N **K** 1 2 3 **C M**

1. HOUSING TYPE AT 2 ENDS:

"100JK" 1.00MM PITCH SHDR TYPE HOUSING TO HOUSING (WIRING 1:1)

"100JP" DITTO, BUT SAME DIRECTION OF CONTACTS AT 2 ENDS (WIRING 1:N)

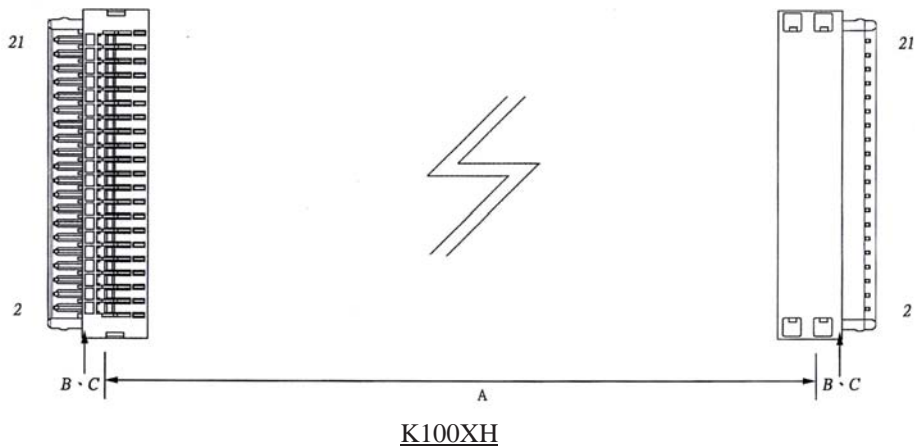
"100JU" DITTO, BUT HOUSING TO 3MM TINNED END

2. NO. OF CONTACTS:

20, 30, 40, 50

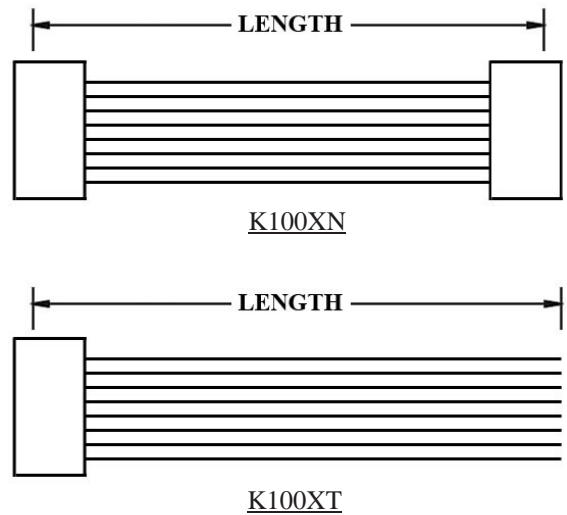
3. LENGTH IN CM (CENTIMETERS)

# WIRE HARNESS CABLE WITH 2\*1.00MM PITCH WIRE-TO-BOARD CRIMPED HOUSINGS



1.00MM PITCH HOUSING P/N 100XH-xxxHV

CIRCUITS	DIMENSION	
	A	B
20	19.00	23.30
30	29.00	33.30



## ORDERING INFORMATION:

P/N **K** 1 2 3 **CM**

1. HOUSING TYPE AT 2 ENDS:  
 "100XH" 1.00MM PITCH FIX TYPE HOUSING TO HOUSING (WIRING 1:1)  
 "100XN" DITTO, BUT SAME DIRECTION OF CONTACTS AT 2 ENDS (WIRING 1:N)  
 "100XT" DITTO, BUT HOUSING TO 3MM TINNED END
2. NO. OF CONTACTS:  
 20, 30
3. LENGTH IN CM (CENTIMETERS)