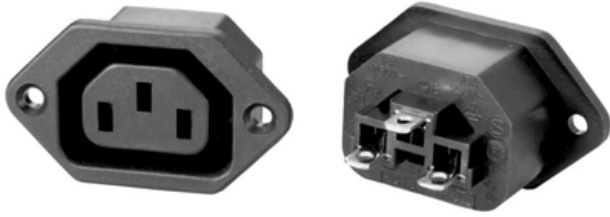


AC POWER SOCKET IEC 60320 SHEET F OUTLET CABLE SOLDER TYPE (1)



SPECIFICATIONS

Standard: IEC 60320 F

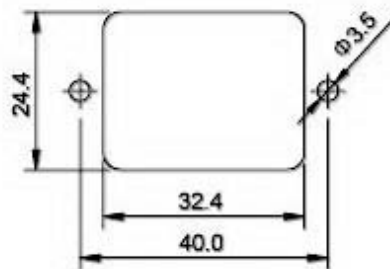
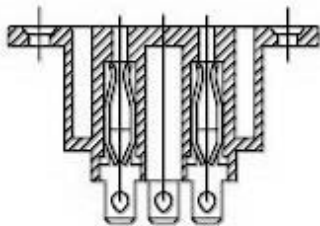
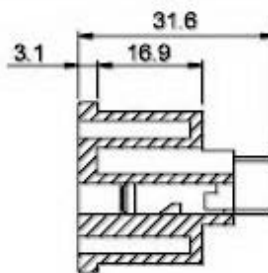
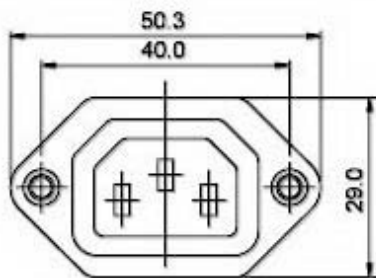
Rating: 15A 250V AC / 10A 250V AC

Insulation Resistance: 100MΩ 500V DC/1 Min.

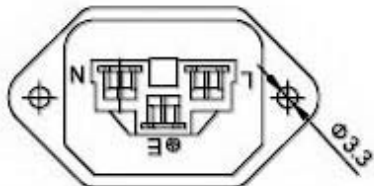
Dielectric Strength: 2000V AC/1 Min.

Housing Material: Thermoplastic

All materials must be RoHS compliant.



PANEL CUT-OUT



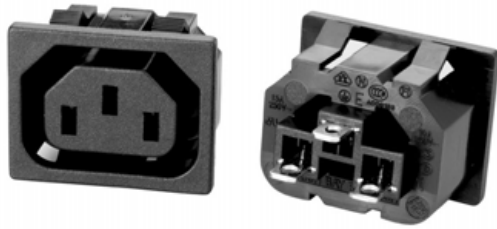
ORDERING INFORMATION:

P/N A C C13 - 01 - 00
 1 2 3

1. CORD TYPE:
"C13" IEC-60320 SHEET F (FEMALE)
2. CONNECTOR CODE:
01
3. TERMINAL CODE:
00

NOTE: MATES WITH SHEET E & C14 PLUGS

AC POWER SOCKET IEC 60320 SHEET F OUTLET CABLE SOLDER TYPE (2)



SPECIFICATIONS

Standard: IEC 60320 F

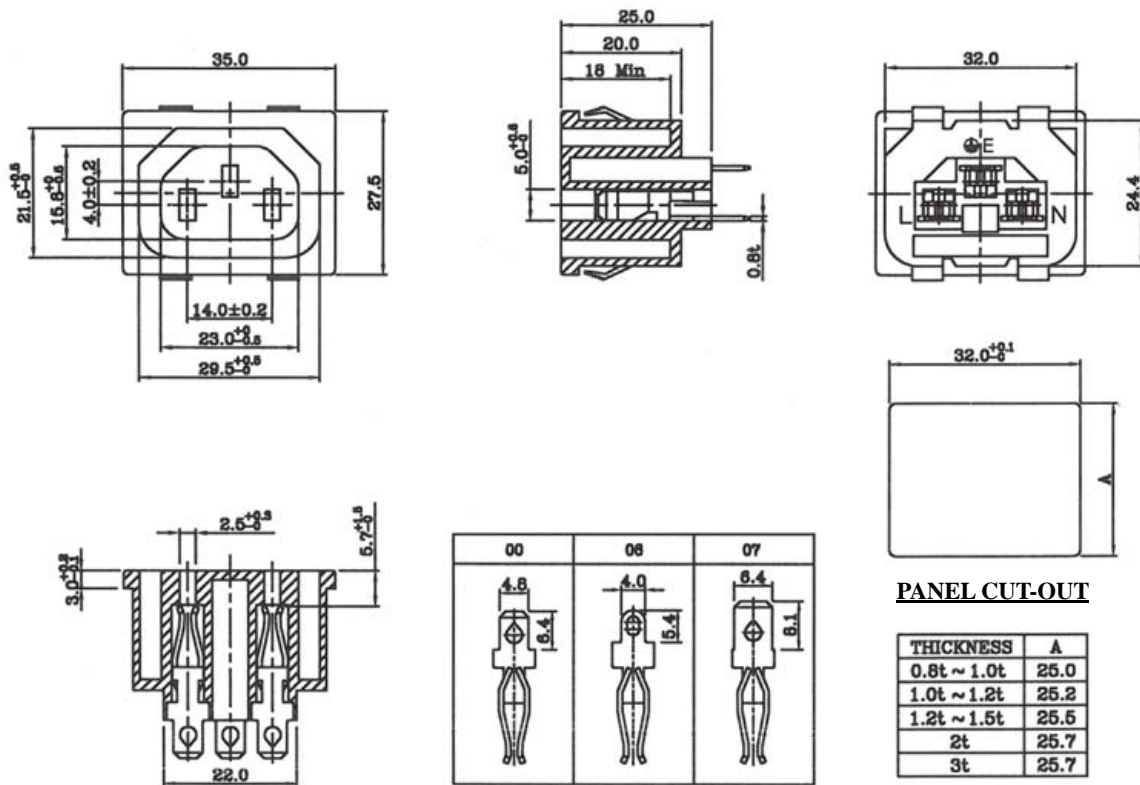
Rating: 15A 250V AC / 10A 250V AC

Insulation Resistance: 100MΩ 500V DC/1 Min.

Dielectric Strength: 2000V AC/1 Min.

Housing Material: Thermoplastic

All materials must be RoHS compliant.



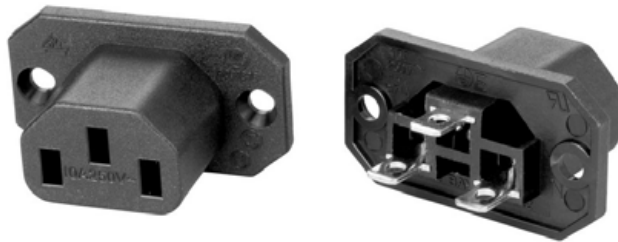
ORDERING INFORMATION:

P/N A C C $\frac{13}{1}$ - $\frac{02}{2}$ - $\frac{x}{3}$

1. CORD TYPE:
"C13" IEC-60320 SHEET F (FEMALE)
2. CONNECTOR CODE:
02
3. TERMINAL CODE:
00, 06, 07

NOTE: MATES WITH SHEET E & C14 PLUGS

AC POWER SOCKET IEC 60320 SHEET F OUTLET CABLE SOLDER TYPE (3)



SPECIFICATIONS

Standard: IEC 60320 F

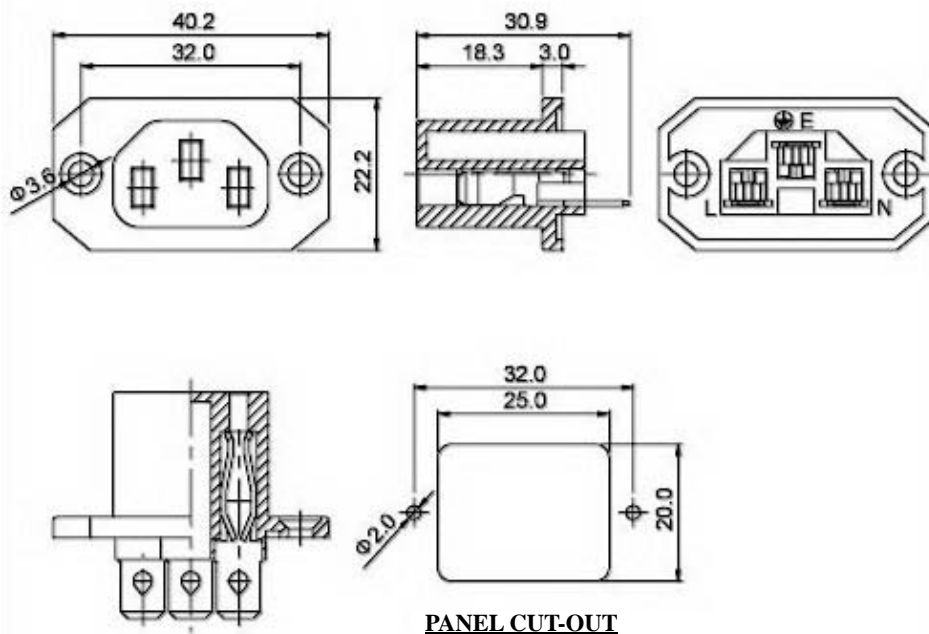
Rating: 15A 250V AC / 10A 250V AC

Insulation Resistance: 100MΩ 500V DC/1 Min.

Dielectric Strength: 2000V AC/1 Min.

Housing Material: Thermoplastic

All materials must be RoHS compliant.



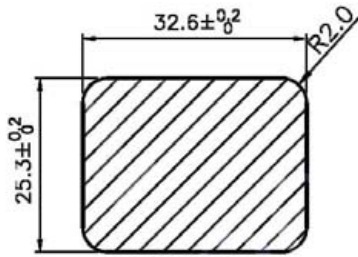
ORDERING INFORMATION:

P/N A C C $\frac{13}{1}$ - $\frac{03}{2}$ - $\frac{00}{3}$

1. CORD TYPE:
"C13" IEC-60320 SHEET F (FEMALE)
2. CONNECTOR CODE:
03
3. TERMINAL CODE:
00

NOTE: MATES WITH SHEET E & C14 PLUGS

AC POWER SOCKET IEC 60320 SHEET F OUTLET CABLE SOLDER TYPE (4)



PANEL CUT-OUT THICKNESS

1.0mm~2.0mm

SPECIFICATIONS

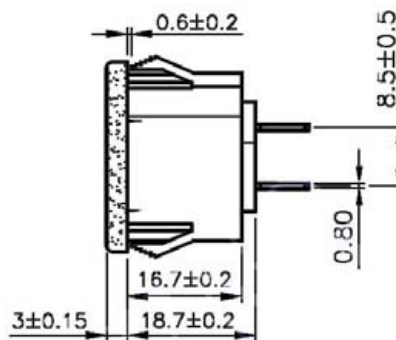
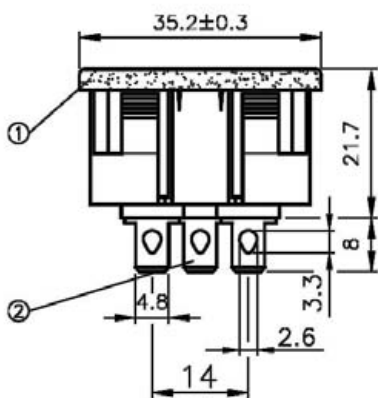
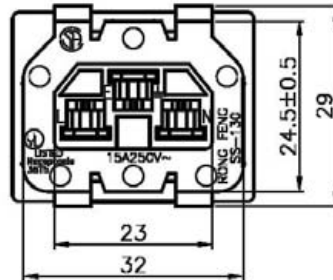
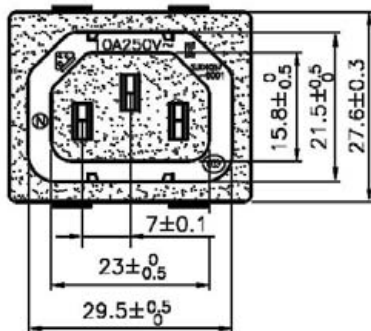
Rating: 15A 250V AC

Approvals: UL/CSA

Rating: 10A 250V AC

Approvals: VDE/NEMKO/CCC/KTL

All materials must be RoHS compliant.



ORDERING INFORMATION:

P/N A C C13 - 31 - 48

1. CORD TYPE:
"C13" IEC-60320 SHEET F (FEMALE)
2. CONNECTOR CODE:
31
3. TERMINAL CODE:
48

NOTE: MATES WITH SHEET E & C14 PLUGS

AC POWER SOCKET IEC 60320 SHEET F OUTLET 2-7 PORT CABLE SOLDER TYPE (5)

SPECIFICATIONS

Standard: IEC 60320 F

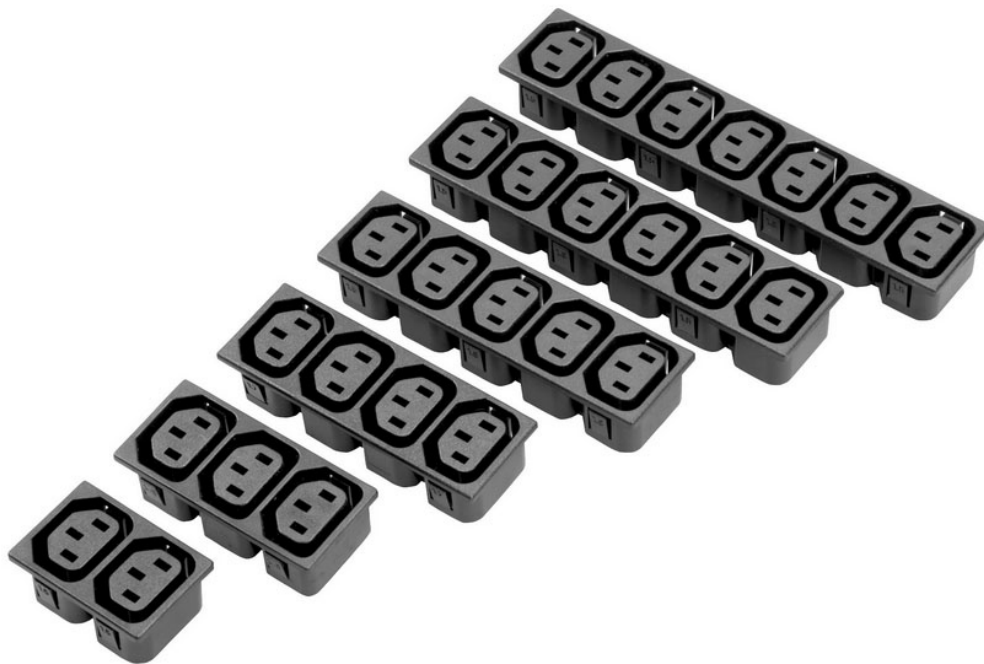
Rating: 15A 250V AC / 10A 250V AC

Insulation Resistance: 100MΩ 500V DC/1 Min.

Dielectric Strength: 2000V AC/1 Min.

Housing Material: Thermoplastic

All materials must be RoHS compliant.



ORDERING INFORMATION:

P/N A C C $\frac{13}{1}$ - $\frac{xx}{2}$ - $\frac{00}{3}$

1. CORD TYPE:
"C13" IEC-60320 SHEET F (FEMALE)
2. CONNECTOR CODE:
"12" 2 PORTS
"13" 3 PORTS
"14" 4 PORTS
"15" 5 PORTS
"16" 6 PORTS
"17" 7 PORTS
3. TERMINAL CODE:
00

AC POWER SOCKET IEC 60320 SHEET F OUTLET & C14 INLET 1~6 PORT CABLE SOLDER TYPE (6)

SPECIFICATIONS

Standard: IEC 60320 C14 & F

Rating: 15A 250V AC / 10A 250V AC

Insulation Resistance: 100MΩ 500V DC/1 Min.

Dielectric Strength: 2000V AC/1 Min.

Housing Material: Thermoplastic

All materials must be RoHS compliant.



ORDERING INFORMATION:

P/N A C $\frac{C13}{1}$ - $\frac{xx}{2}$ - $\frac{00}{3}$

1. CORD TYPE:

"C13" IEC-60320 SHEET F (FEMALE)

2. CONNECTOR CODE:

"21" 1 PORT F + 1 PORT C14

"22" 2 PORT F + 1 PORT C14

"23" 3 PORT F + 1 PORT C14

"24" 4 PORT F + 1 PORT C14

"25" 5 PORT F + 1 PORT C14

"26" 6 PORT F + 1 PORT C14

3. TERMINAL CODE:

00

AC POWER SOCKET IEC 60320 J OUTLET CABLE SOLDER TYPE (1)



SPECIFICATIONS

Standard: IEC 60320 J

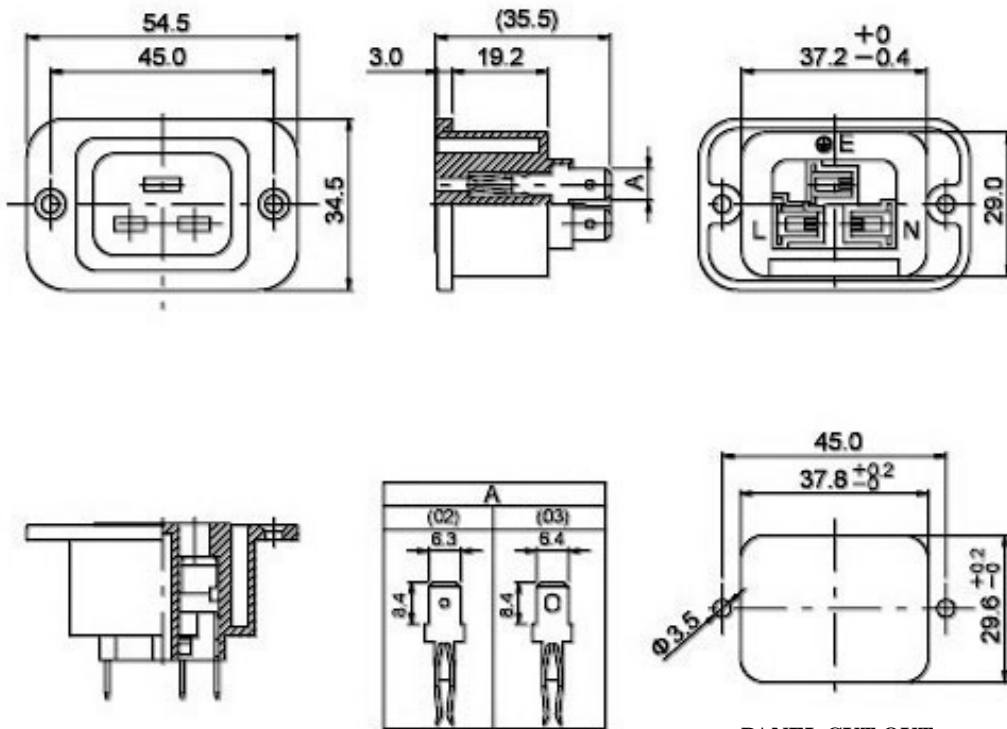
Rating: 20A 250V AC / 16A 250V AC

Insulation Resistance: 100MΩ 500V DC/1 Min.

Dielectric Strength: 2000V AC/1 Min.

Housing Material: Thermoplastic

All materials must be RoHS compliant.



PANEL CUT-OUT

ORDERING INFORMATION:

P/N A C C $\frac{19}{1}$ - $\frac{01}{2}$ - $\frac{xx}{3}$

1. CORD TYPE:
"C19" IEC-60320 J (FEMALE)
2. CONNECTOR CODE:
01
3. TERMINAL CODE:
02, 03

NOTE: MATES WITH SHEET I & C20 PLUGS

AC POWER SOCKET IEC 60320 J OUTLET CABLE SOLDER TYPE (2)



SPECIFICATIONS

Standard: IEC 60320 J

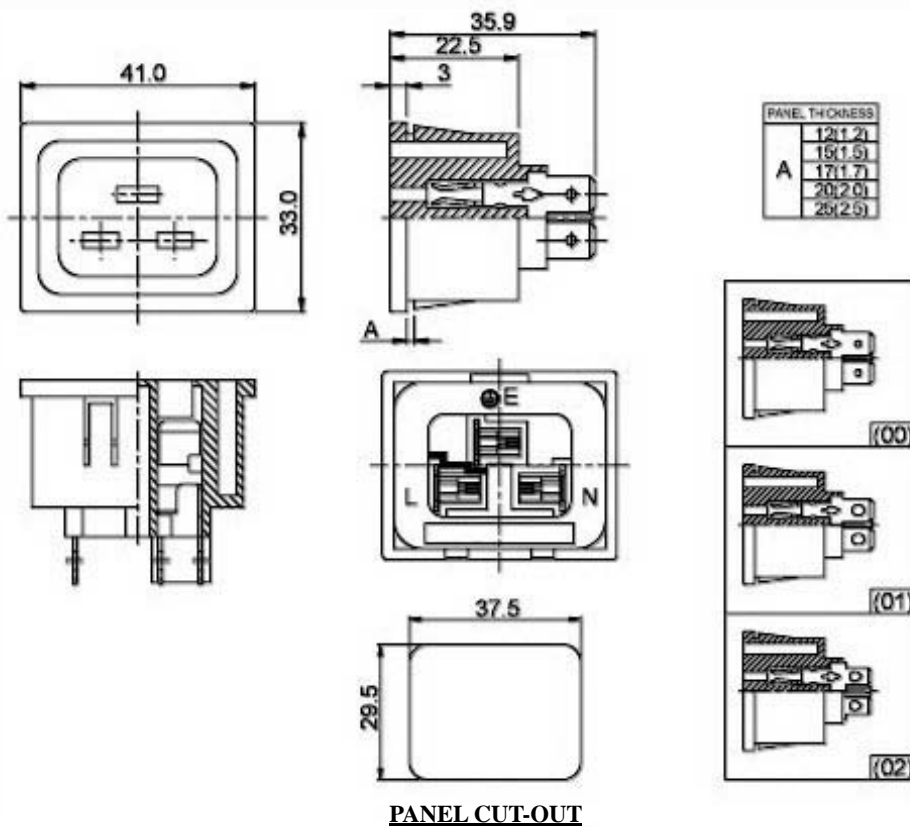
Rating: 20A 250V AC / 16A 250V AC

Insulation Resistance: 100MΩ 500V DC/1 Min.

Dielectric Strength: 2000V AC/1 Min.

Housing Material: Thermoplastic

All materials must be RoHS compliant.



PANEL CUT-OUT

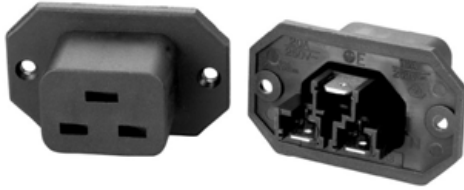
ORDERING INFORMATION:

P/N A C $\frac{C19}{1}$ - $\frac{02}{2}$ - $\frac{xx}{3}$

1. CORD TYPE:
"C19" IEC-60320 J (FEMALE)
2. CONNECTOR CODE:
02
3. TERMINAL CODE:
00, 01, 02

NOTE: MATES WITH SHEET I & C20 PLUGS

AC POWER SOCKET IEC 60320 J OUTLET CABLE SOLDER TYPE (3)



SPECIFICATIONS

Standard: IEC 60320 J

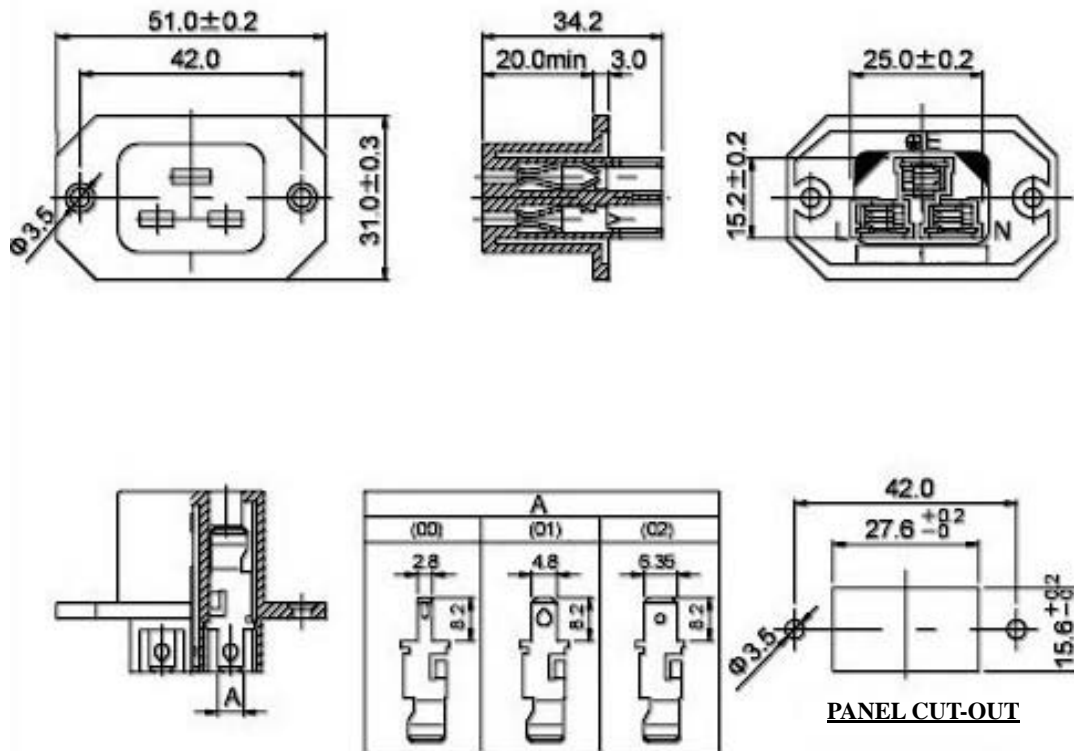
Rating: 20A 250V AC / 16A 250V AC

Insulation Resistance: 100MΩ 500V DC/1 Min.

Dielectric Strength: 2000V AC/1 Min.

Housing Material: Thermoplastic

All materials must be RoHS compliant.



ORDERING INFORMATION:

P/N A C C19 - 03 - xx
 1 2 3

1. CORD TYPE:
"C19" IEC-60320 J (FEMALE)
2. CONNECTOR CODE:
03
3. TERMINAL CODE:
00, 01, 02

NOTE: MATES WITH SHEET I & C20 PLUGS

IEC 60320 AC POWER PLUG & JACKS



ACC15-F01



ACC13-F02



ACC14-M01



ACC14-M02



ACC13-F01



ACC13-F03

ORDERING INFORMATION:

P/N ACC15-F01

IEC-320 C15 JACK (10A/250V)

P/N ACC14-M01

IEC-320 SHEET E PLUG (10A/250V)

P/N ACC13-F01

IEC-320 C13 JACK (10A/250V)

P/N ACC13-F02

IEC-320 C13 R/A JACK (10A/250V)

P/N ACC14-M02

IEC-320 SHEET E R/A PLUG (10A/250V)

P/N ACC13-F03

IEC-320 C13 R/A JACK (10A/250V)

SCHUKO & NEMA AC POWER PLUGS



ACP-01



ACP-20



ACP-15



ACP-30

ORDERING INFORMATION:

P/N A C P - 0 1

IEC 60884 SCHUKO PLUG (16A/250V)

P/N A C P - 1 5

UL 498 NEMA PLUG (15A/125V)

P/N A C P - 2 0

UL 498 NEMA PLUG (20A/125V)

P/N A C P - 3 0

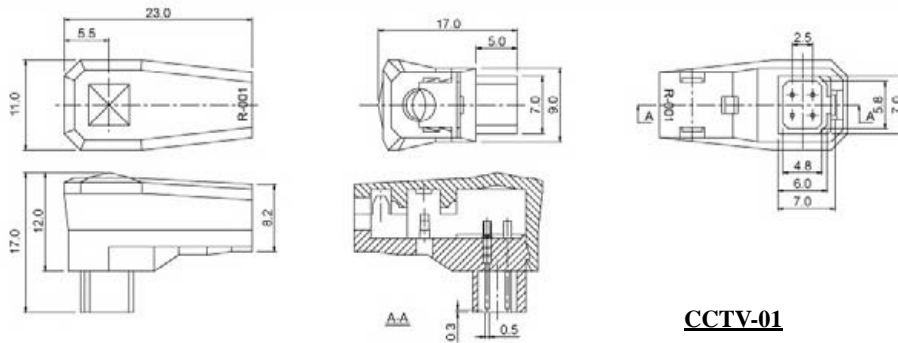
UL 498 NEMA PLUG (30A/125V)

CCTV (CLOSE CIRCUIT TV) AC/DC CONNECTORS

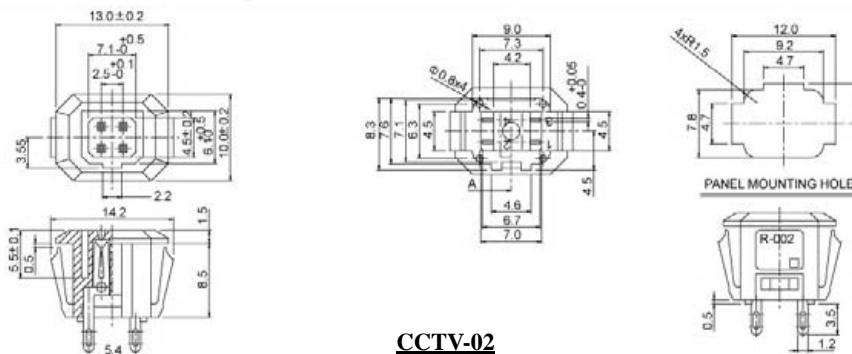


SPECIFICATIONS

Rating: AC DC 30V 0.5A
Contact Resistance: 20MΩ Max
Insulation Resistance: DC 100V 100MΩ/1 Min.
Dielectric Strength: 150V AC/1 Min.
Housing Material: Thermoplastic
All materials must be RoHS compliant.



CCTV-01



CCTV-02

ORDERING INFORMATION:

P/N C C T V - 0 0 1

CCTV 4 PIN PLUG

P/N C C T V - 0 0 2

CCTV 4 PIN SOCKET