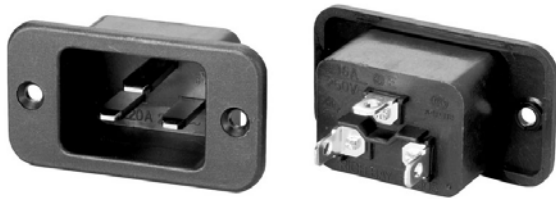


AC POWER PLUG IEC INLET C20 CABLE SOLDER TYPE (1)



SPECIFICATIONS

Standard: IEC 60320 C20

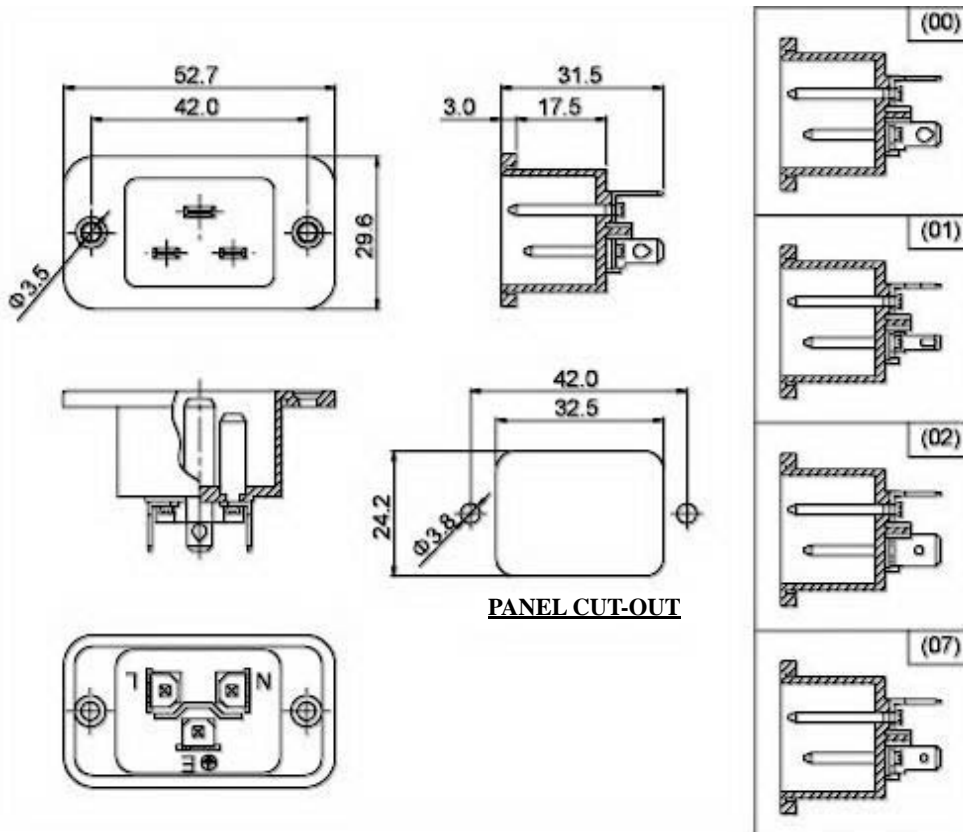
Rating: 20A 250V AC / 16A 250V AC

Insulation Resistance: 100MΩ 500V DC/1 Min.

Dielectric Strength: 2000V AC/1 Min.

Housing Material: Thermoplastic

All materials must be RoHS compliant.

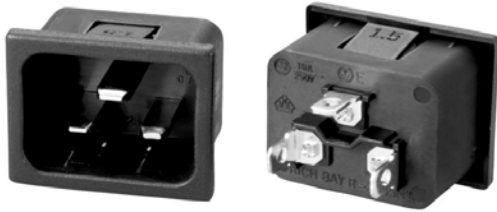


ORDERING INFORMATION:

P/N A C $\frac{C}{1}$ 20 - $\frac{01}{2}$ - $\frac{xx}{3}$

1. CORD TYPE:
"C20" IEC-60320 C20 (MALE)
2. CONNECTOR CODE:
01
3. TERMINAL CODE:
00, 01, 02, 07

AC POWER PLUG IEC INLET C20 CABLE SOLDER TYPE (2)



SPECIFICATIONS

Standard: IEC 60320 C20

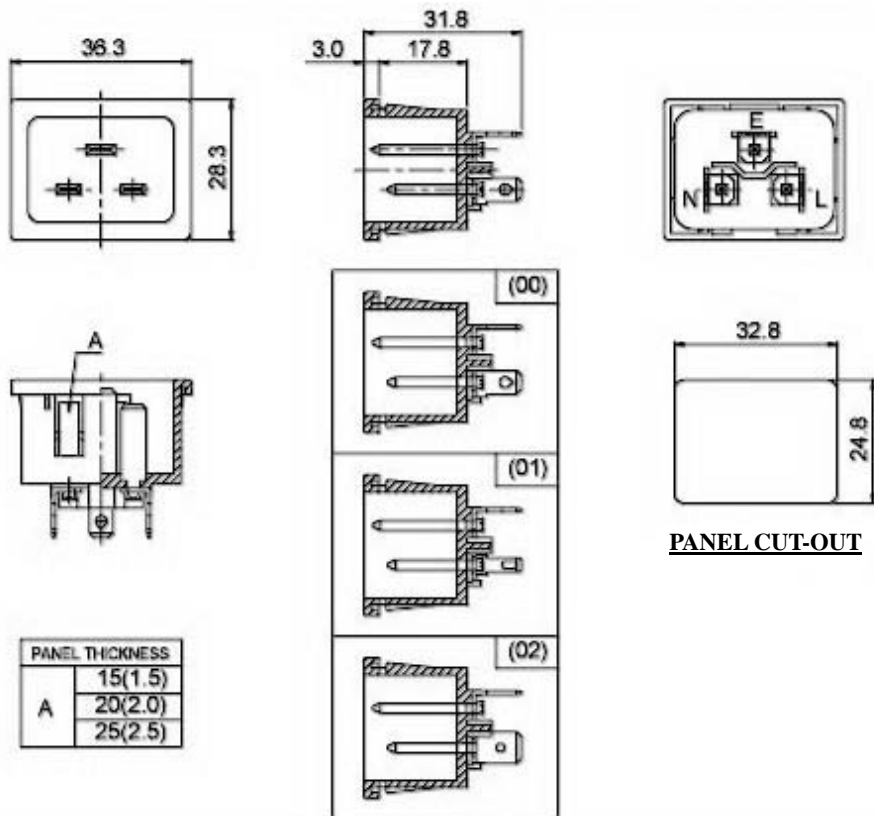
Rating: 20A 250V AC / 16A 250V AC

Insulation Resistance: 100MΩ 500V DC/1 Min.

Dielectric Strength: 2000V AC/1 Min.

Housing Material: Thermoplastic

All materials must be RoHS compliant.

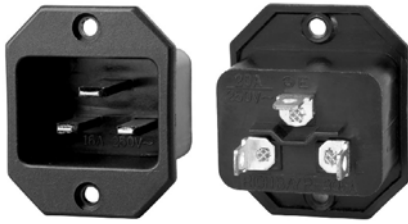


ORDERING INFORMATION:

P/N A C $\frac{C}{1}$ 20 - $\frac{02}{2}$ - $\frac{xx}{3}$

1. CORD TYPE:
"C20" IEC-60320 C20 (MALE)
2. CONNECTOR CODE:
02
3. TERMINAL CODE:
00, 01, 02

AC POWER PLUG IEC INLET C20 CABLE SOLDER TYPE (3)



SPECIFICATIONS

Standard: IEC 60320 C20

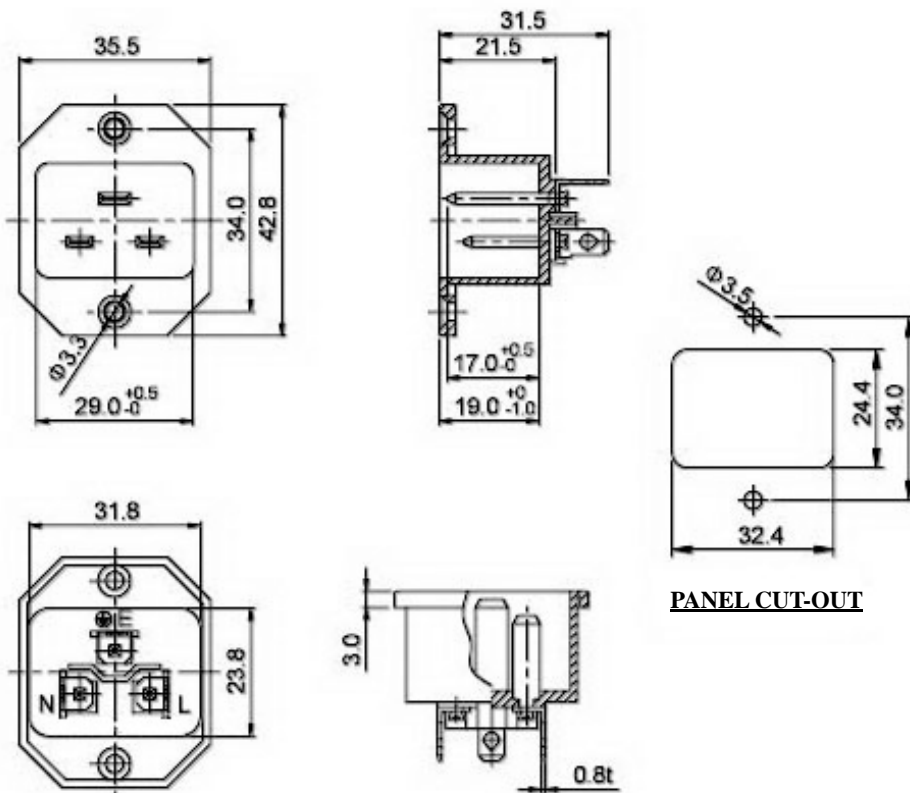
Rating: 20A 250V AC / 16A 250V AC

Insulation Resistance: 100MΩ 500V DC/1 Min.

Dielectric Strength: 2000V AC/1 Min.

Housing Material: Thermoplastic

All materials must be RoHS compliant.



ORDERING INFORMATION:

P/N A C C 20 - 03 - 00
 1 2 3

1. CORD TYPE:
"C20" IEC-60320 C20 (MALE)
2. CONNECTOR CODE:
03
3. TERMINAL CODE:
00