

AC POWER PLUG IENLET C14 CABLE SOLDER TYPE (1)



SPECIFICATIONS

Standard: IEC 60320 C14

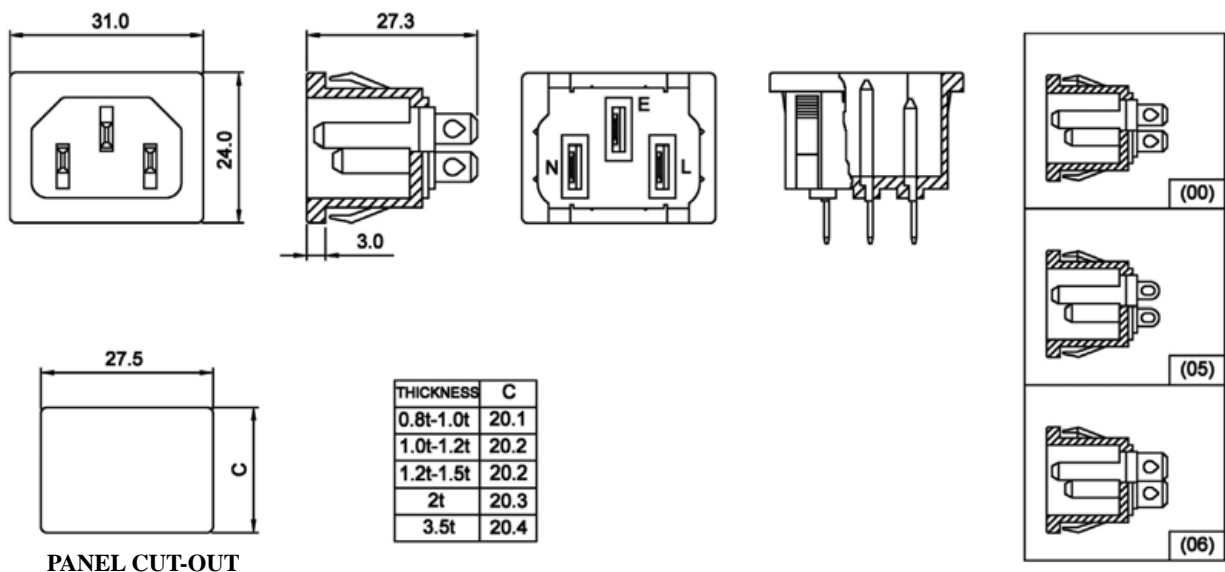
Rating: 15A 250V AC / 10A 250V AC

Insulation Resistance: 100MΩ 500V DC/1 Min.

Dielectric Strength: 2000V AC/1 Min.

Housing Material: Thermoplastic

All materials must be RoHS compliant.



ORDERING INFORMATION:

P/N A C $\frac{C}{1}$ 14 - $\frac{01}{2}$ - $\frac{xx}{3}$

1. CORD TYPE:
"C14" IEC-60320 C14 (MALE)
2. CONNECTOR CODE:
01
3. TERMINAL CODE:
00, 05, 06

AC POWER PLUG IEC INLET C14 CABLE SOLDER TYPE (2)



SPECIFICATIONS

Standard: IEC 60320 C14

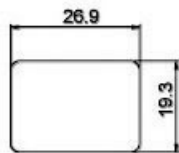
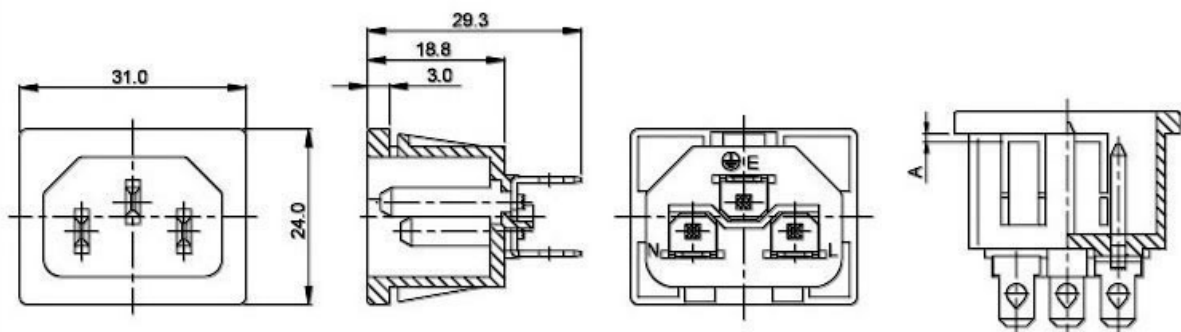
Rating: 15A 250V AC / 10A 250V AC

Insulation Resistance: 100MΩ 500V DC/1 Min.

Dielectric Strength: 2000V AC/1 Min.

Housing Material: Thermoplastic

All materials must be RoHS compliant.



PANEL CUT-OUT

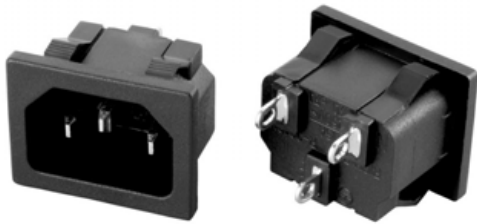
PANEL THICKNESS	
	08(0.8)
	10(1.0)
	12(1.2)
A	15(1.5)
	20(2.0)
	30(3.0)

ORDERING INFORMATION:

P/N A C $\frac{C14}{1}$ - $\frac{02}{2}$ - $\frac{01}{3}$

1. CORD TYPE:
"C14" IEC-60320 C14 (MALE)
2. CONNECTOR CODE:
02
3. TERMINAL CODE:
01

AC POWER PLUG IENLET C14 CABLE SOLDER TYPE (3)



SPECIFICATIONS

Standard: IEC 60320 C14

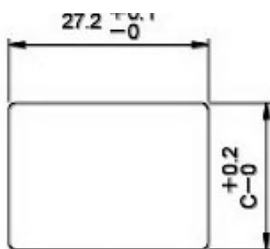
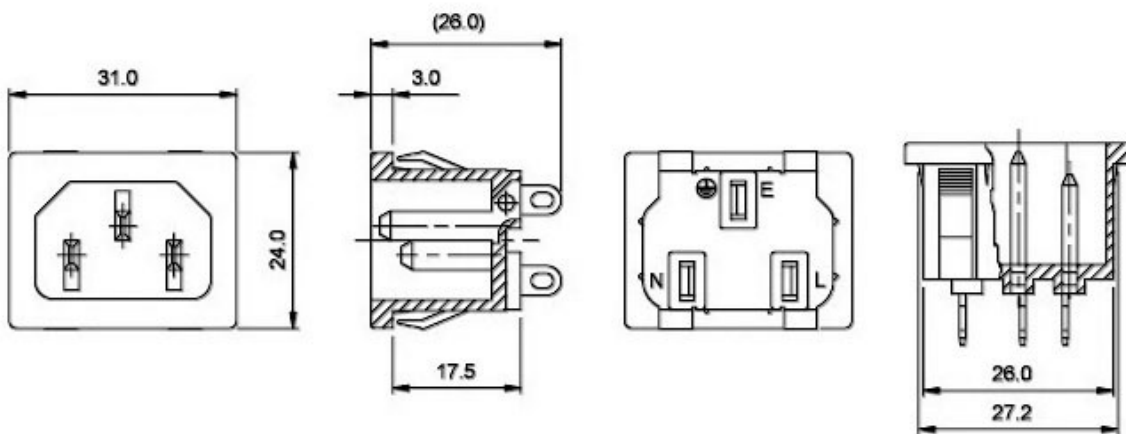
Rating: 15A 250V AC / 10A 250V AC

Insulation Resistance: 100MΩ 500V DC/1 Min.

Dielectric Strength: 2000V AC/1 Min.

Housing Material: Thermoplastic

All materials must be RoHS compliant.



PANEL CUT-OUT

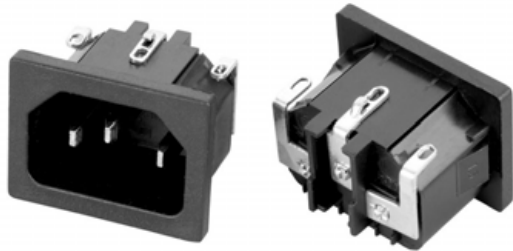
PANEL THICKNESS	C
0.8t-1.0t	19.8
1.0t-1.2t	19.9
1.2t-1.5t	19.9
2t	20.0
3.5t	20.1

ORDERING INFORMATION:

P/N A C C14 - 03 - 54

1. CORD TYPE:
"C14" IEC-60320 C14 (MALE)
2. CONNECTOR CODE:
03
3. TERMINAL CODE:
54

AC POWER PLUG IEC INLET C14 CABLE SOLDER TYPE (4)



SPECIFICATIONS

Standard: IEC 60320 C14

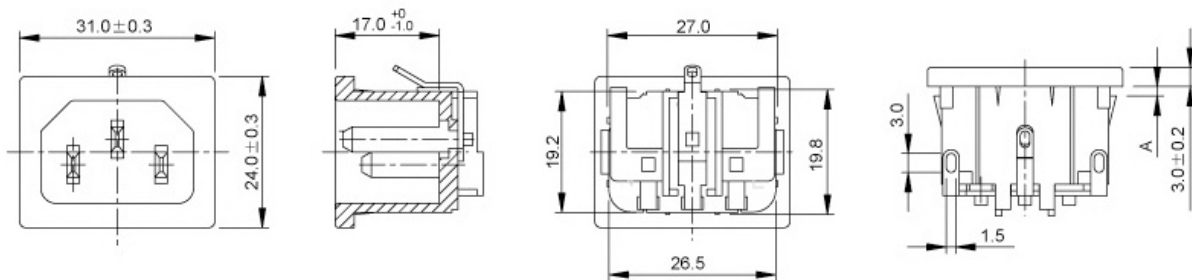
Rating: 15A 250V AC / 10A 250V AC

Insulation Resistance: 100MΩ 500V DC/1 Min.

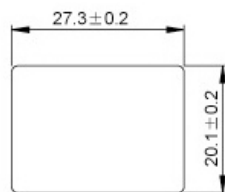
Dielectric Strength: 2000V AC/1 Min.

Housing Material: Thermoplastic

All materials must be RoHS compliant.



PANEL THICKNESS	
A	08(0.8)
	15(1.5)
	20(2.0)



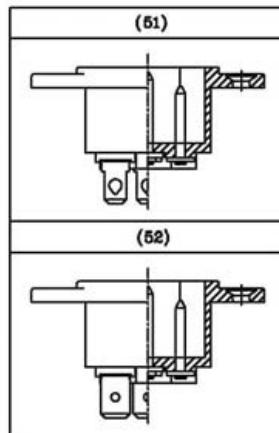
PANEL CUT-OUT

ORDERING INFORMATION:

P/N A C C14 - 04 - 95

1. CORD TYPE:
"C14" IEC-60320 C14 (MALE)
2. CONNECTOR CODE:
04
3. TERMINAL CODE:
95

AC POWER PLUG IEC INLET C14 CABLE SOLDER TYPE (5)



SPECIFICATIONS

Standard: IEC 60320 C14

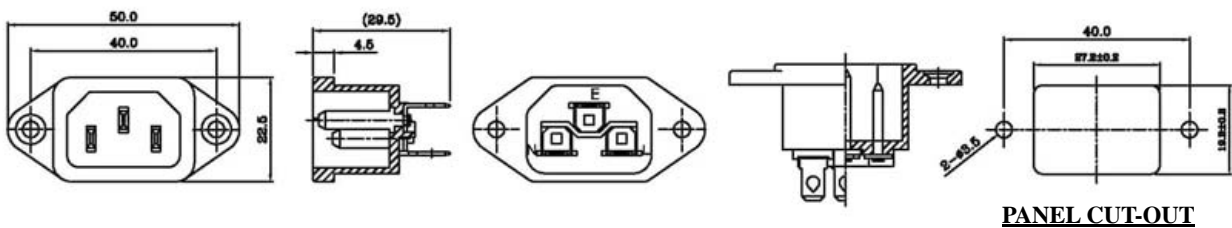
Rating: 15A 250V AC / 10A 250V AC

Insulation Resistance: 100MΩ 500V DC/1 Min.

Dielectric Strength: 2000V AC/1 Min.

Housing Material: Thermoplastic

All materials must be RoHS compliant.



ORDERING INFORMATION:

P/N A C C14 - 05 - xx
1 2 3

1. CORD TYPE:
"C14" IEC-60320 C14 (MALE)
2. CONNECTOR CODE:
05
3. TERMINAL CODE:
51, 52

AC POWER PLUG IEC INLET C14 CABLE SOLDER TYPE (6)



SPECIFICATIONS

Standard: IEC 60320 C14

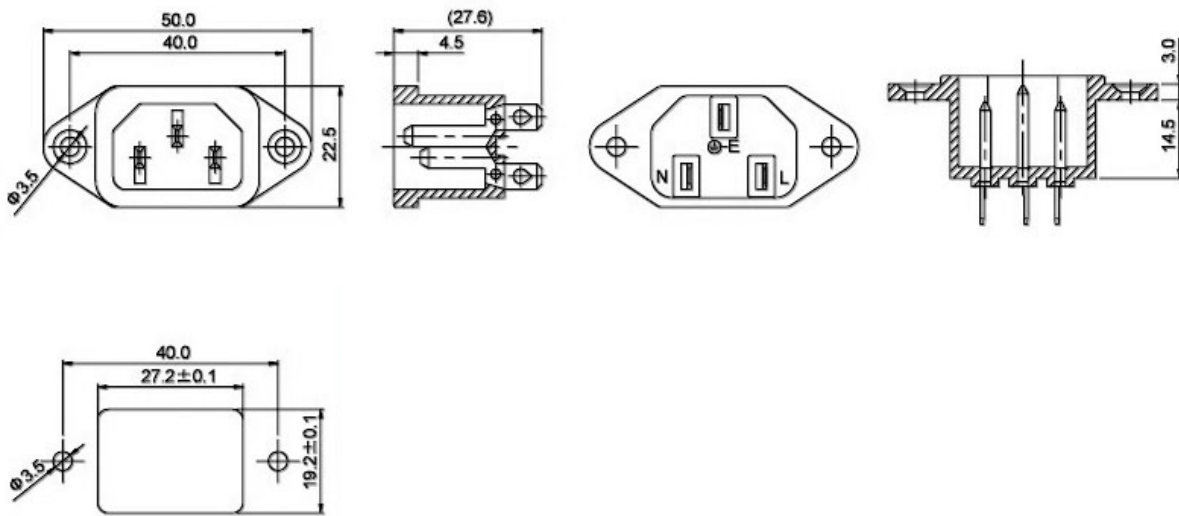
Rating: 15A 250V AC / 10A 250V AC

Insulation Resistance: 100MΩ 500V DC/1 Min.

Dielectric Strength: 2000V AC/1 Min.

Housing Material: Thermoplastic

All materials must be RoHS compliant.



PANEL CUT-OUT

ORDERING INFORMATION:

P/N A C C14 - 06 - 00

1. CORD TYPE:
"C14" IEC-60320 C14 (MALE)
2. CONNECTOR CODE:
06
3. TERMINAL CODE:
00

AC POWER PLUG IEC INLET C14 CABLE SOLDER TYPE (7)

SPECIFICATIONS

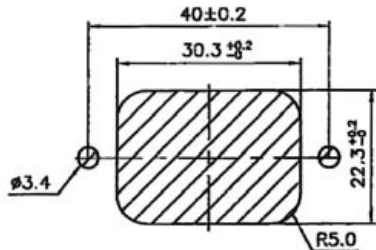
Rating: 15A 250V AC

Approvals: UL/CSA

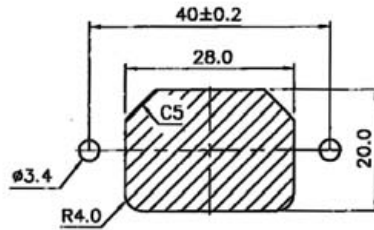
Rating: 10A 250V AC

Approvals: VDE/SEMKO/CCC

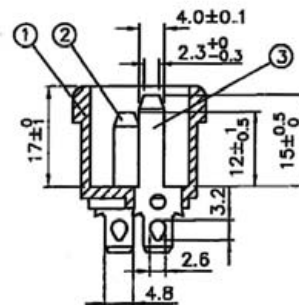
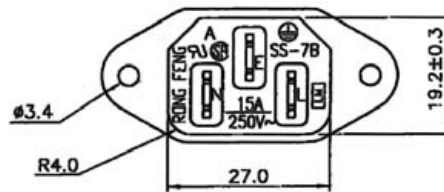
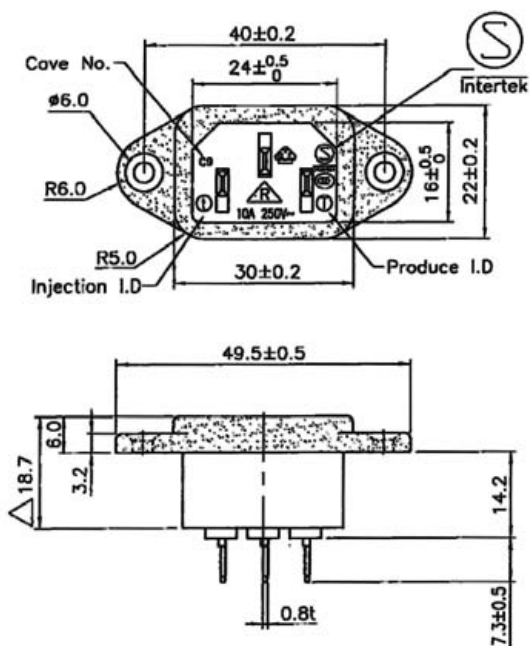
All materials must be RoHS compliant.



**MOUNTING INLET FLANGE
AT BACK OF COVER**



**MOUNTING INLET FLANGE
IN FRONT OF COVER**

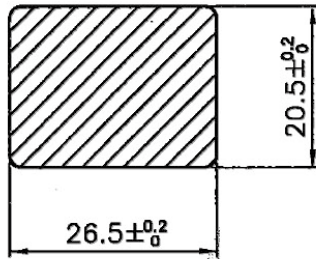


ORDERING INFORMATION:

P/N A C C 14 - 24 - 48
1 2 3

1. CORD TYPE:
"C14" IEC-60320 C14 (MALE)
2. CONNECTOR CODE:
24
3. TERMINAL CODE:
48

AC POWER PLUG IEC INLET C14 CABLE SOLDER TYPE (8)



SPECIFICATIONS

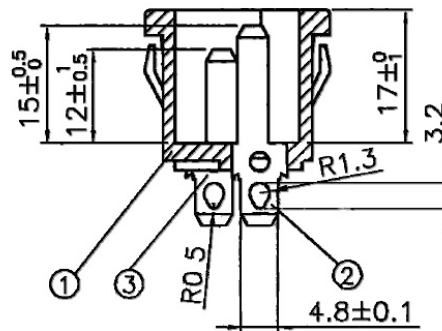
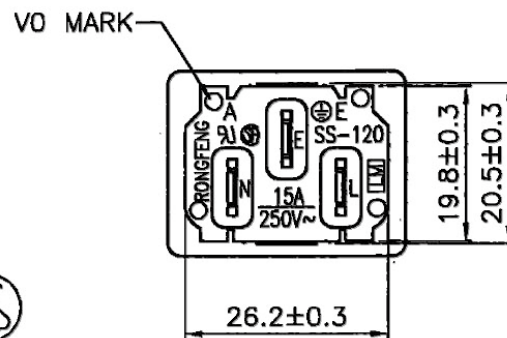
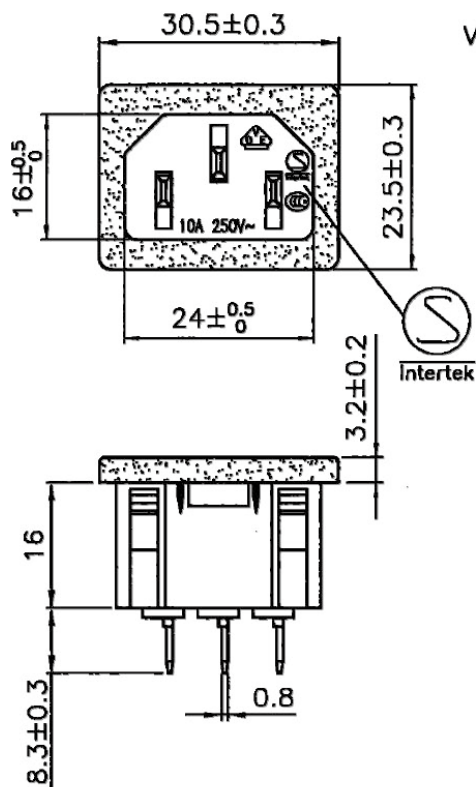
Rating: 15A 250V AC

Approvals: UL/CSA

Rating: 10A 250V AC

Approvals: VDE/SEMKO/CCC

All materials must be RoHS compliant.

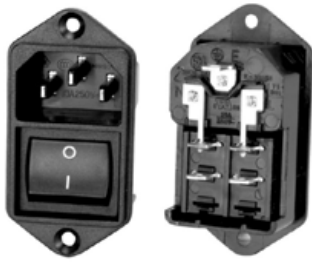


ORDERING INFORMATION:

P/N A C C 14 - 27 - 48

1. CORD TYPE:
"C14" IEC-60320 C14 (MALE)
2. CONNECTOR CODE:
27
3. TERMINAL CODE:
48

AC POWER PLUG IEC INLET C14 CABLE SOLDER TYPE WITH SWITCH (9)



SPECIFICATIONS

Standard: IEC 60320 C14

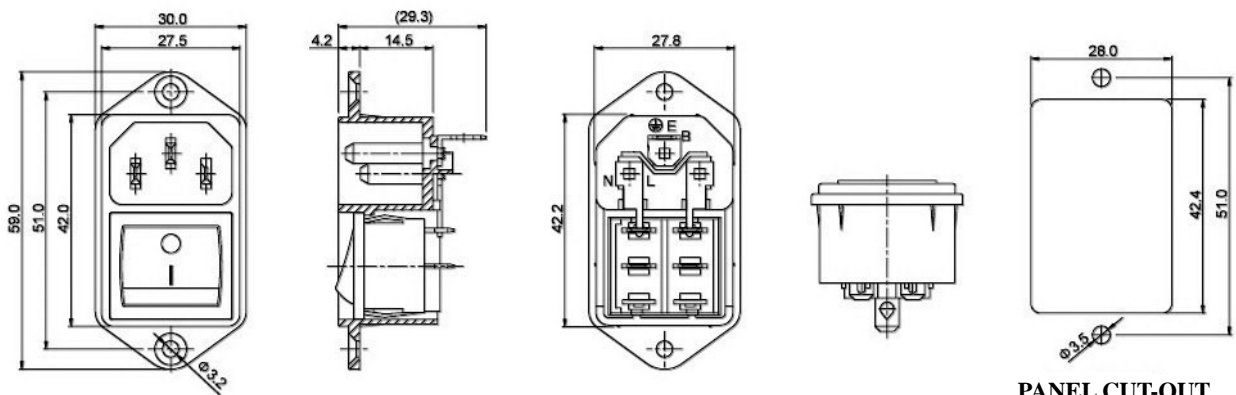
Rating: 15A 250V AC / 10A 250V AC

Insulation Resistance: 100MΩ 500V DC/1 Min.

Dielectric Strength: 2000V AC/1 Min.

Housing Material: Thermoplastic

All materials must be RoHS compliant.



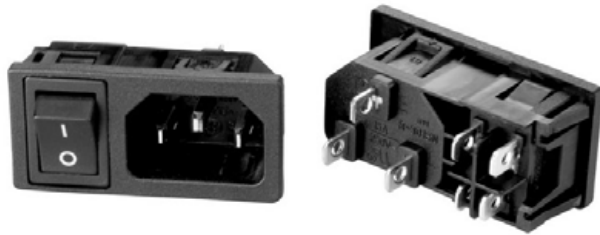
PANEL CUT-OUT

ORDERING INFORMATION:

P/N A C C14 - 17 - 09

1. CORD TYPE:
"C14" IEC-60320 C14 (MALE)
2. CONNECTOR CODE:
17
3. TERMINAL CODE:
09

AC POWER PLUG IEC INLET C14 CABLE SOLDER TYPE WITH SWITCH (10)



SPECIFICATIONS

Standard: IEC 60320 C14

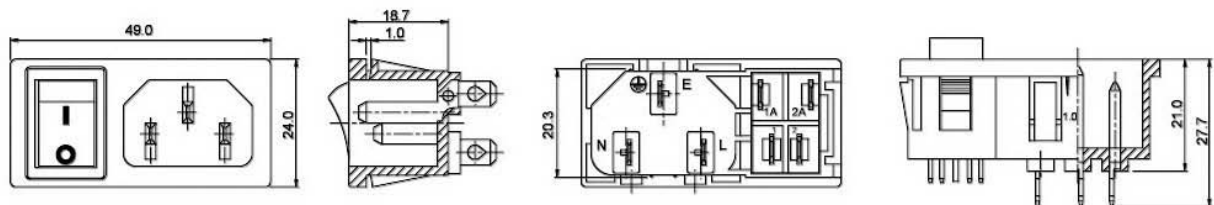
Rating: 15A 250V AC / 10A 250V AC

Insulation Resistance: 100MΩ 500V DC/1 Min.

Dielectric Strength: 2000V AC/1 Min.

Housing Material: Thermoplastic

All materials must be RoHS compliant.

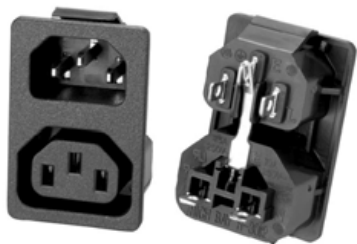


ORDERING INFORMATION:

P/N A C C14 - 18 - 12

1. CORD TYPE:
"C14" IEC-60320 C14 (MALE)
2. CONNECTOR CODE:
18
3. TERMINAL CODE:
12

AC POWER PLUG IEC INLET C14 CABLE SOLDER TYPE WITH IEC-60320 F OUTLET (11)



SPECIFICATIONS

Standard: IEC 60320 C14

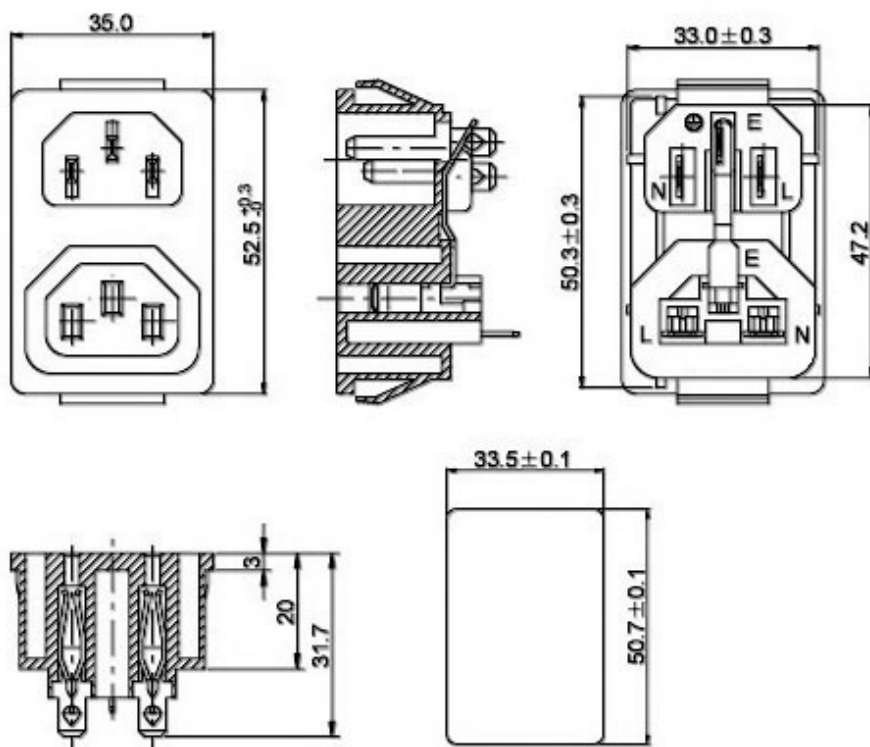
Rating: 15A 250V AC / 10A 250V AC

Insulation Resistance: 100M Ω 500V DC/1 Min.

Dielectric Strength: 2000V AC/1 Min.

Housing Material: Thermoplastic

All materials must be RoHS compliant.



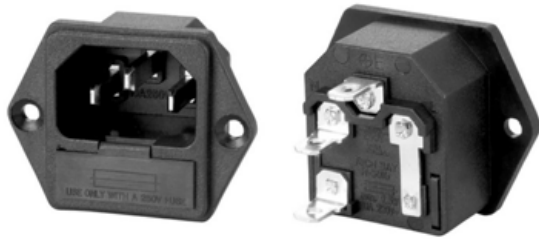
PANEL CUT-OUT

ORDERING INFORMATION:

P/N A C C14 - 16 - 00

1. CORD TYPE:
"C14" IEC-60320 C14 (MALE)
2. CONNECTOR CODE:
16
3. TERMINAL CODE:
00

AC POWER PLUG IEC INLET C14 CABLE SOLDER TYPE WITH FUSE HOLDER (12)



SPECIFICATIONS

Standard: IEC 60320 C14

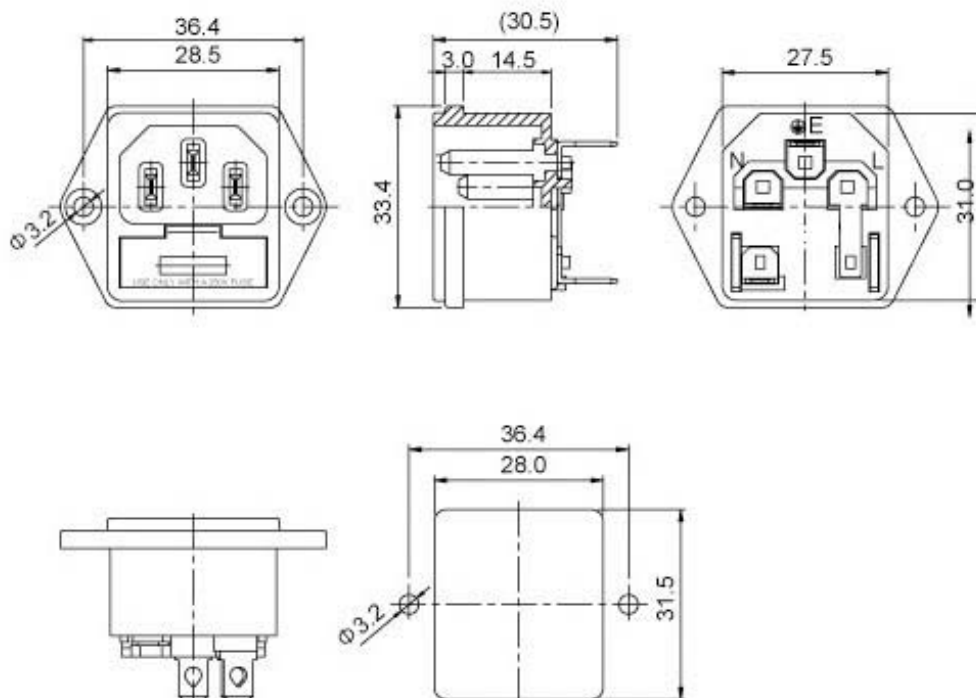
Rating: 15A 250V AC / 10A 250V AC

Insulation Resistance: 100MΩ 500V DC/1 Min.

Dielectric Strength: 2000V AC/1 Min.

Housing Material: Thermoplastic

All materials must be RoHS compliant.



PANEL CUT-OUT

ORDERING INFORMATION:

P/N A C C $\frac{14}{1}$ - $\frac{19}{2}$ - $\frac{00}{3}$

1. CORD TYPE:
"C14" IEC-60320 C14 (MALE)
2. CONNECTOR CODE:
19
3. TERMINAL CODE:
00

NOTE: THE FUSE IS NOT INCLUDED.

AC POWER PLUG IEC INLET C14 CABLE SOLDER TYPE WITH FUSE HOLDER (13)



SPECIFICATIONS

Standard: IEC 60320 C14

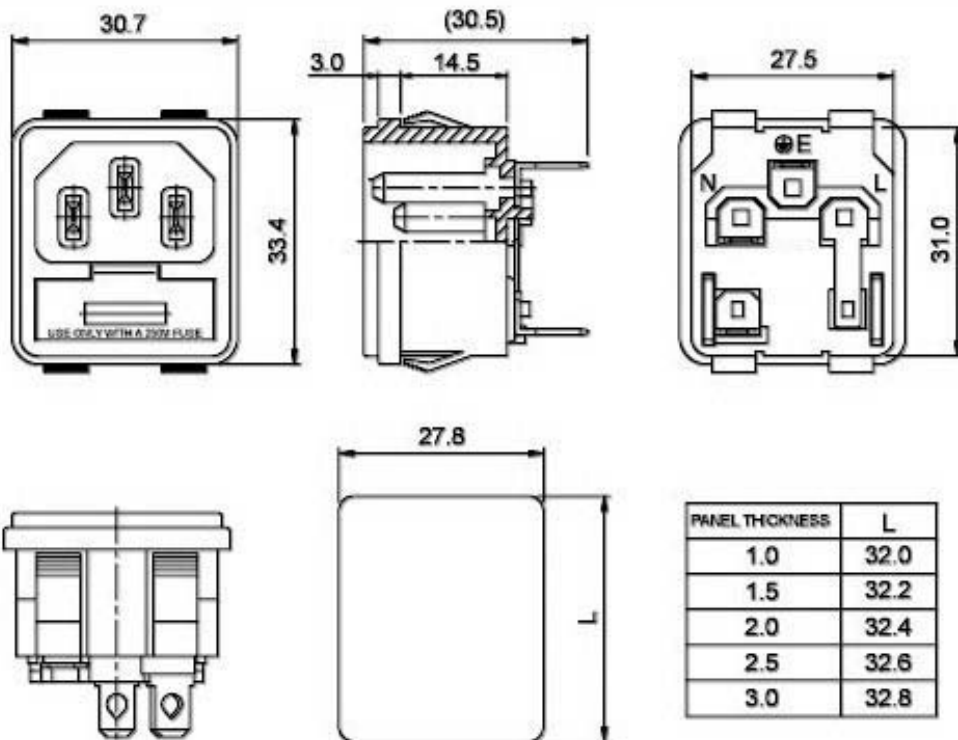
Rating: 15A 250V AC / 10A 250V AC

Insulation Resistance: 100MΩ 500V DC/1 Min.

Dielectric Strength: 2000V AC/1 Min.

Housing Material: Thermoplastic

All materials must be RoHS compliant.



PANEL CUT-OUT

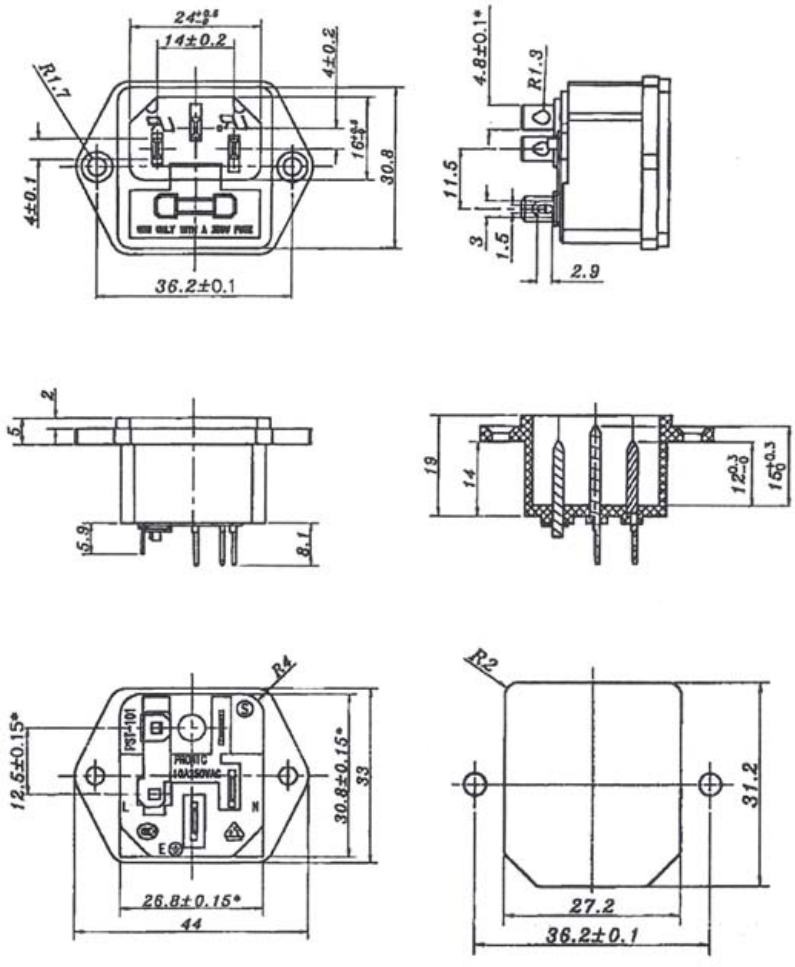
ORDERING INFORMATION:

P/N A C C 14 - 20 - 00

1. CORD TYPE:
"C14" IEC-60320 C14 (MALE)
2. CONNECTOR CODE:
20
3. TERMINAL CODE:
00

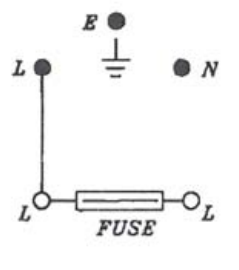
NOTE: THE FUSE IS NOT INCLUDED.

AC POWER PLUG IEC INLET C14 CABLE SOLDER TYPE WITH FUSE HOLDER (14)



SPECIFICATIONS

Rating: 10A 250V AC
Insulation Resistance: 100MΩ 500V DC/1 Min.
Dielectric Strength: 2000V AC/1 Min.
All materials must be RoHS compliant.



MOUNTING HOLE

CIRCUIT DIAGRAM

ORDERING INFORMATION:

P/N A C C14 - 23 - 48
 1 2 3

1. CORD TYPE:
"C14" IEC-60320 C14 (MALE)
2. CONNECTOR CODE:
23
3. TERMINAL CODE:
48

NOTE: THE FUSE IS NOT INCLUDED.

AC POWER PLUG IEC INLET C14 CABLE SOLDER TYPE WITH FUSE HOLDER (15)

SPECIFICATIONS

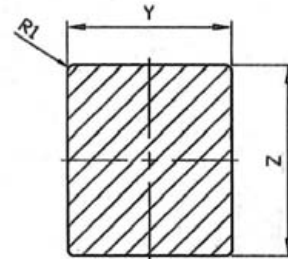
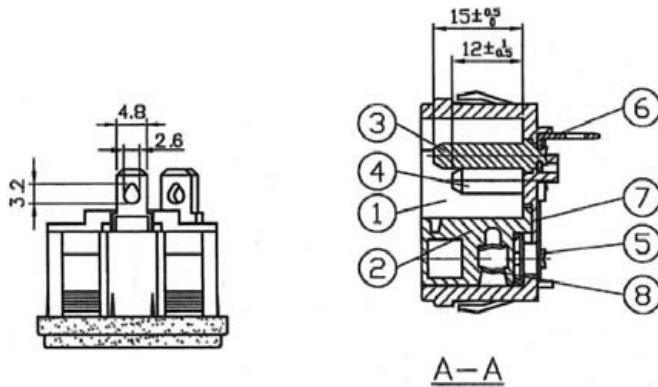
Rating: 10A 250V AC

Approvals: UL/CSA/KTL/SEMKO/CCC

Rating: 6.3A 250V AC

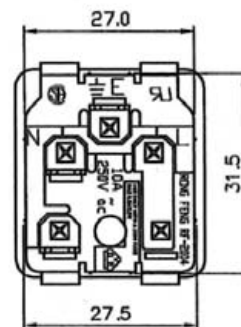
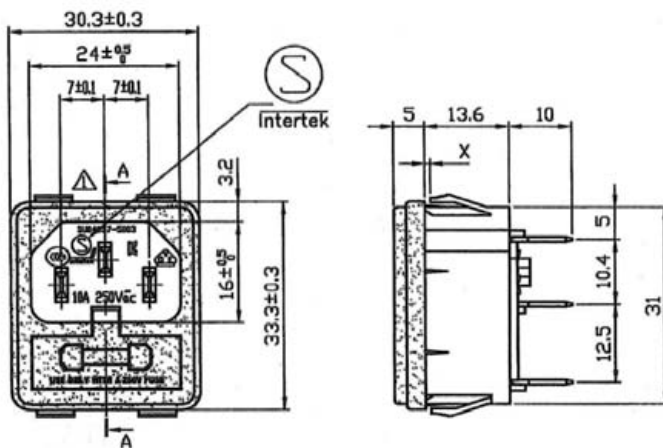
Approvals: VDE/NEMKO/CCC/KTL

All materials must be RoHS compliant.



PANEL CUT-OUT

X(PANEL THICKNESS)	Y(CUTOUT DIMENSION)	Z(CUTOUT DIMENSION)
0.8~1.25 mm	27.3 \pm $\frac{0.2}{0}$	31.4 \pm $\frac{0.5}{0}$
1.25~2.0 mm	27.3 \pm $\frac{0.2}{0}$	31.6 \pm $\frac{0.5}{0}$



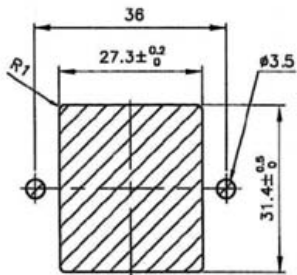
ORDERING INFORMATION:

P/N A C C 14 - 26 - 48

1. CORD TYPE:
"C14" IEC-60320 C14 (MALE)
2. CONNECTOR CODE:
26
3. TERMINAL CODE:
48

NOTE: THE FUSE IS NOT INCLUDED.

AC POWER PLUG IEC INLET C14 CABLE SOLDER TYPE WITH FUSE HOLDER (16)



PANEL CUT-OUT

SPECIFICATIONS

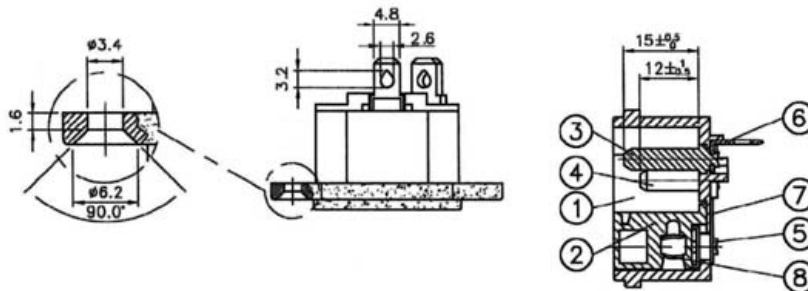
Rating: 15A 250V AC

Approvals: UL/CSA/KTL/SEMKO/CCC

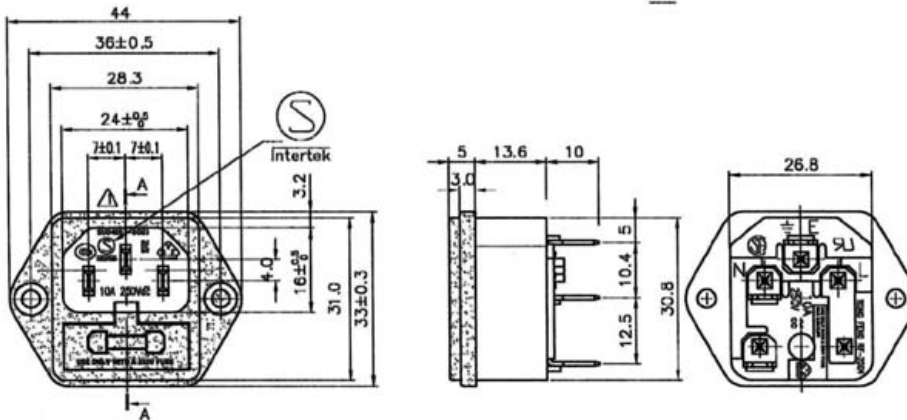
Rating: 6.3A 250V AC

Approvals: VDE

All materials must be RoHS compliant.



A-A



ORDERING INFORMATION:

P/N A C C14 - 25 - 48

1. CORD TYPE:
"C14" IEC-60320 C14 (MALE)
2. CONNECTOR CODE:
25
3. TERMINAL CODE:
48

NOTE: THE FUSE IS NOT INCLUDED.

AC POWER PLUG IEC INLET C14 CABLE SOLDER TYPE WITH SWITCH & FUSE HOLDER (17)



SPECIFICATIONS

Standard: IEC 60320 C14

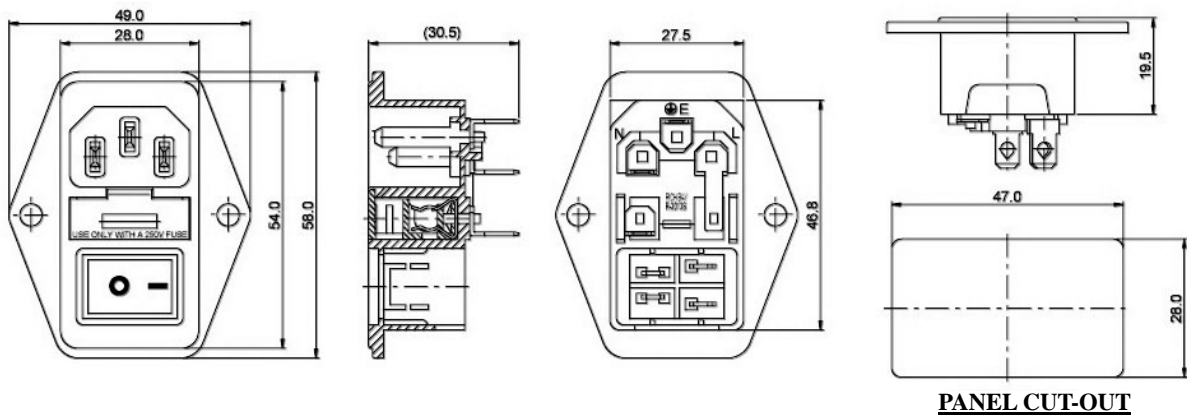
Rating: 15A 250V AC / 10A 250V AC

Insulation Resistance: 100MΩ 500V DC/1 Min.

Dielectric Strength: 2000V AC/1 Min.

Housing Material: Thermoplastic

All materials must be RoHS compliant.



ORDERING INFORMATION:

P/N A C C $\frac{14}{1}$ - $\frac{21}{2}$ - $\frac{00}{3}$

1. CORD TYPE:
"C14" IEC-60320 C14 (MALE)
2. CONNECTOR CODE:
21
3. TERMINAL CODE:
00

NOTE: THE FUSE IS NOT INCLUDED.

AC POWER PLUG IEC INLET C14 CABLE SOLDER TYPE WITH SWITCH & FUSE HOLDER (18)



SPECIFICATIONS

Standard: IEC 60320 C14

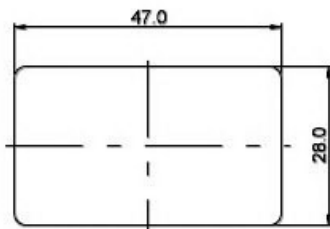
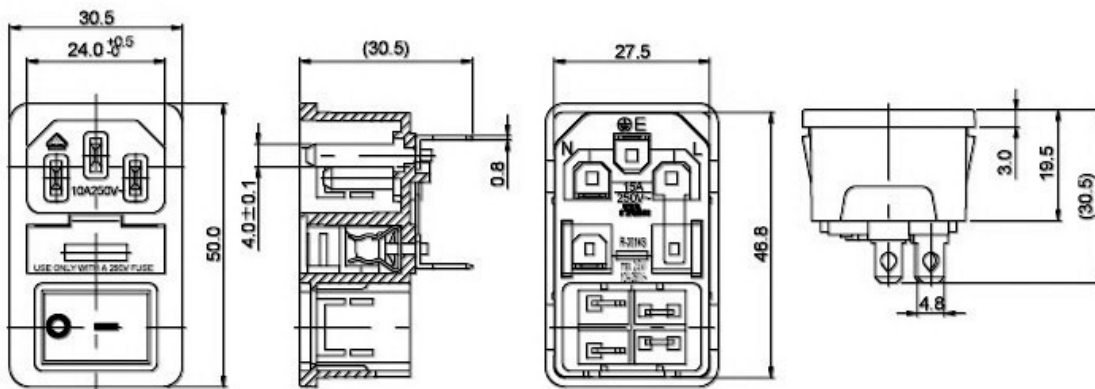
Rating: 15A 250V AC / 10A 250V AC

Insulation Resistance: 100MΩ 500V DC/1 Min.

Dielectric Strength: 2000V AC/1 Min.

Housing Material: Thermoplastic

All materials must be RoHS compliant.



PANEL CUT-OUT

ORDERING INFORMATION:

P/N A C $\frac{14}{1}$ - $\frac{22}{2}$ - $\frac{00}{3}$

1. CORD TYPE:
"C14" IEC-60320 C14 (MALE)
2. CONNECTOR CODE:
22
3. TERMINAL CODE:
00

NOTE: THE FUSE IS NOT INCLUDED.

AC POWER PLUG IEC INLET C14 RIGHT ANGLE TYPE (19)



SPECIFICATIONS

Standard: IEC 60320 C14

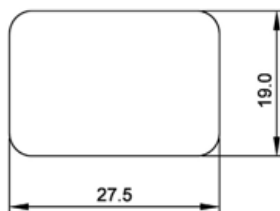
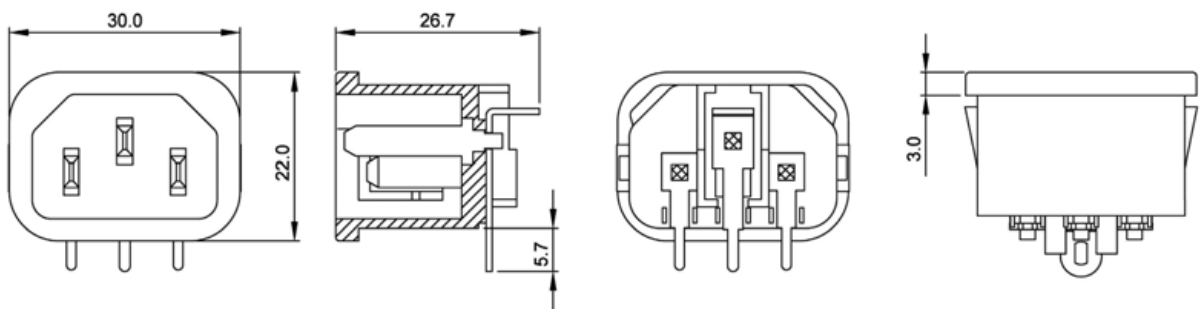
Rating: 15A 250V AC / 10A 250V AC

Insulation Resistance: 100M Ω 500V DC/1 Min.

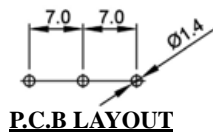
Dielectric Strength: 2000V AC/1 Min.

Housing Material: Thermoplastic

All materials must be RoHS compliant.



PANEL CUT-OUT



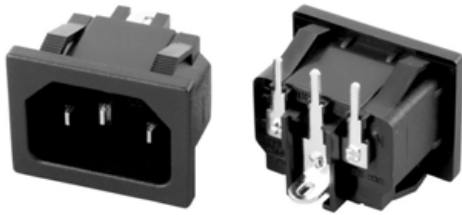
P.C.B LAYOUT

ORDERING INFORMATION:

P/N A C C14 - 07 - 49

1. CORD TYPE:
"C14" IEC-60320 C14 (MALE)
2. CONNECTOR CODE:
07
3. TERMINAL CODE:
49

AC POWER PLUG IEC INLET C14 RIGHT ANGLE TYPE (20)



SPECIFICATIONS

Standard: IEC 60320 C14

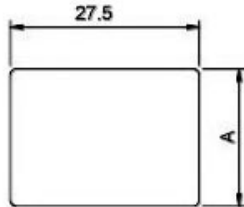
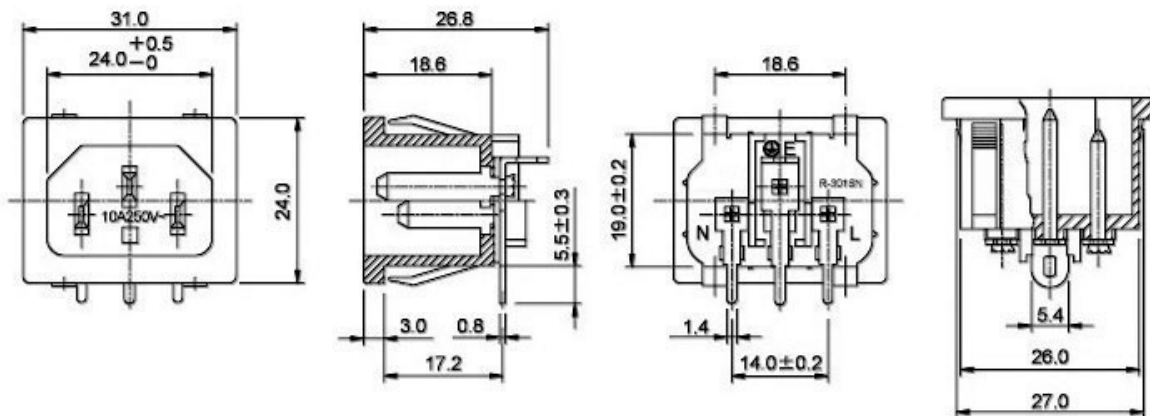
Rating: 15A 250V AC / 10A 250V AC

Insulation Resistance: 100MΩ 500V DC/1 Min.

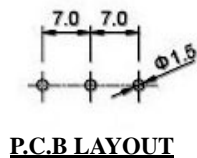
Dielectric Strength: 2000V AC/1 Min.

Housing Material: Thermoplastic

All materials must be RoHS compliant.



PANEL CUT-OUT



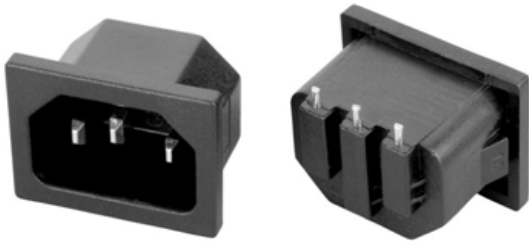
PANEL THICKNESS	A
0.8t-1.0t	19.8
1.0t-1.2t	19.9
1.2t-1.5t	19.9
2t	20.0
3.5t	20.1

ORDERING INFORMATION:

P/N A C C14 - 08 - 12

1. CORD TYPE:
"C14" IEC-60320 C14 (MALE)
2. CONNECTOR CODE:
08
3. TERMINAL CODE:
12

AC POWER PLUG IEC INLET C14 RIGHT ANGLE TYPE (21)



SPECIFICATIONS

Standard: IEC 60320 C14

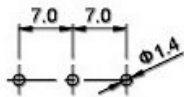
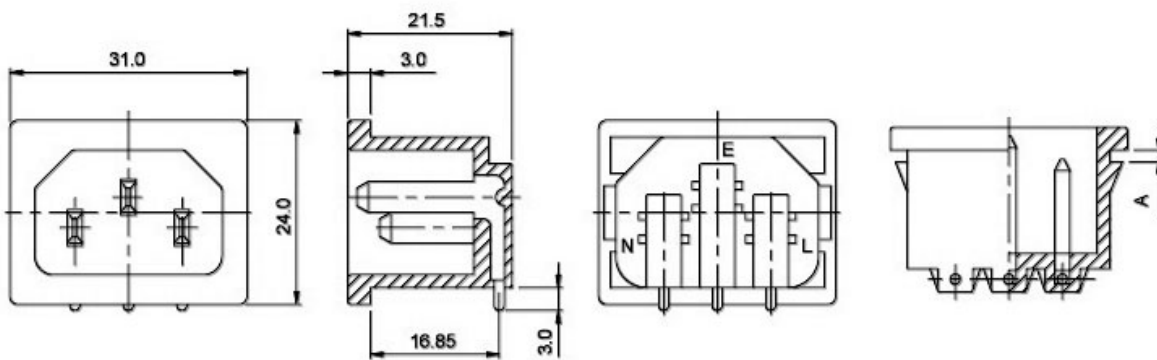
Rating: 15A 250V AC / 10A 250V AC

Insulation Resistance: 100MΩ 500V DC/1 Min.

Dielectric Strength: 2000V AC/1 Min.

Housing Material: Thermoplastic

All materials must be RoHS compliant.



P.C.B LAYOUT

PANEL THICKNESS	
A	1.2
	1.5

ORDERING INFORMATION:

P/N A C $\frac{C14}{1}$ - $\frac{09}{2}$ - $\frac{01}{3}$

1. CORD TYPE:
"C14" IEC-60320 C14 (MALE)
2. CONNECTOR CODE:
09
3. TERMINAL CODE:
01

AC POWER PLUG IEC INLET C14 RIGHT ANGLE TYPE (22)



SPECIFICATIONS

Standard: IEC 60320 C14

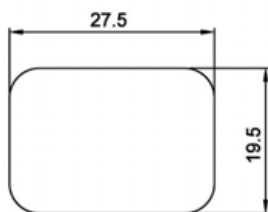
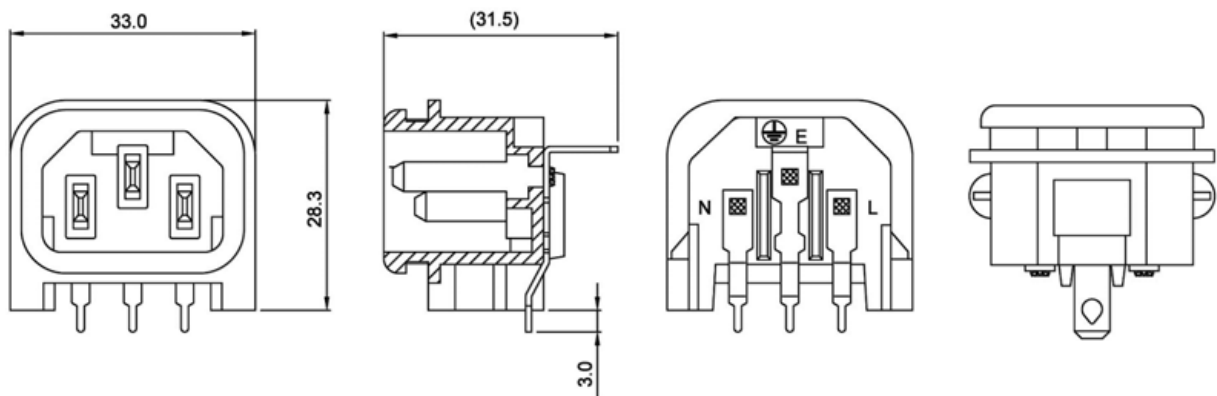
Rating: 15A 250V AC / 10A 250V AC

Insulation Resistance: 100M Ω 500V DC/1 Min.

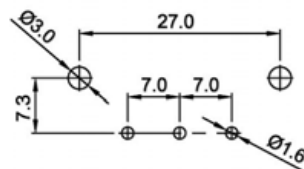
Dielectric Strength: 2000V AC/1 Min.

Housing Material: Thermoplastic

All materials must be RoHS compliant.



PANEL CUT-OUT



P.C.B LAYOUT

ORDERING INFORMATION:

P/N A C C14 - 10 - 60

1. CORD TYPE:
"C14" IEC-60320 C14 (MALE)
2. CONNECTOR CODE:
10
3. TERMINAL CODE:
60

AC POWER PLUG IEC INLET C14 RIGHT ANGLE TYPE (23)



SPECIFICATIONS

Standard: IEC 60320 C14

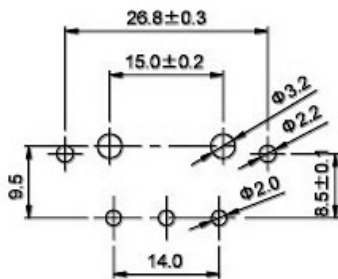
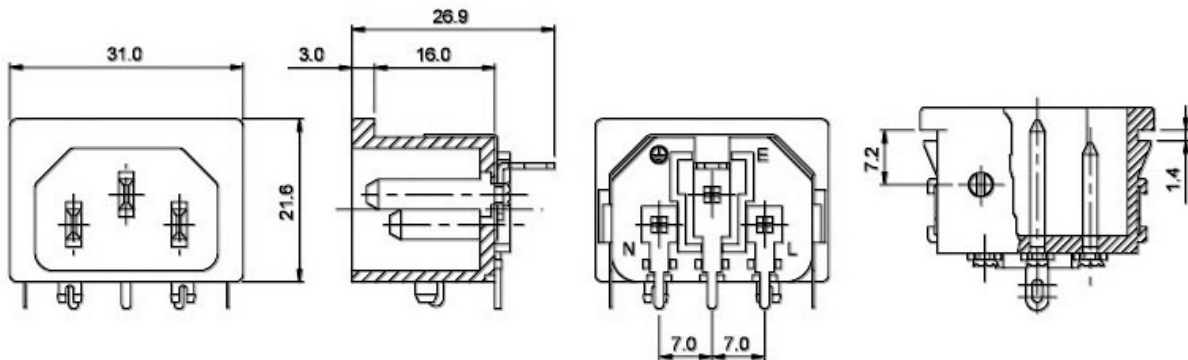
Rating: 15A 250V AC / 10A 250V AC

Insulation Resistance: 100MΩ 500V DC/1 Min.

Dielectric Strength: 2000V AC/1 Min.

Housing Material: Thermoplastic

All materials must be RoHS compliant.



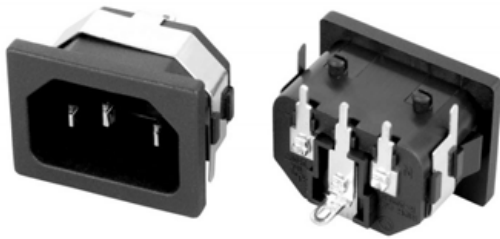
P.C.B LAYOUT

ORDERING INFORMATION:

P/N A C C14 - 11 - 06

1. CORD TYPE:
"C14" IEC-60320 C14 (MALE)
2. CONNECTOR CODE:
11
3. TERMINAL CODE:
06

AC POWER PLUG IEC INLET C14 RIGHT ANGLE TYPE (24)



SPECIFICATIONS

Standard: IEC 60320 C14

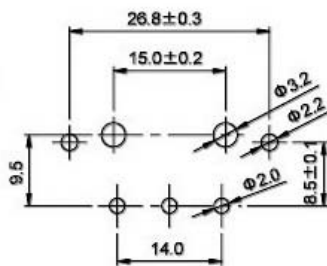
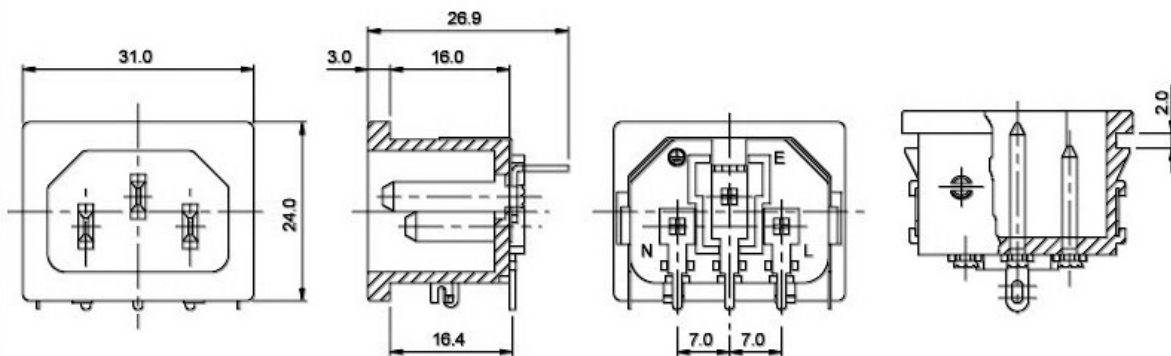
Rating: 15A 250V AC / 10A 250V AC

Insulation Resistance: 100M Ω 500V DC/1 Min.

Dielectric Strength: 2000V AC/1 Min.

Housing Material: Thermoplastic

All materials must be RoHS compliant.



P.C.B LAYOUT

ORDERING INFORMATION:

P/N A C C14 - 12 - 16

1. CORD TYPE:
"C14" IEC-60320 C14 (MALE)
2. CONNECTOR CODE:
12
3. TERMINAL CODE:
16

AC POWER PLUG IEC INLET C14 RIGHT ANGLE TYPE (25)



SPECIFICATIONS

Standard: IEC 60320 C14

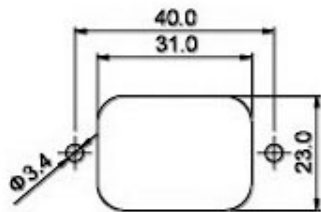
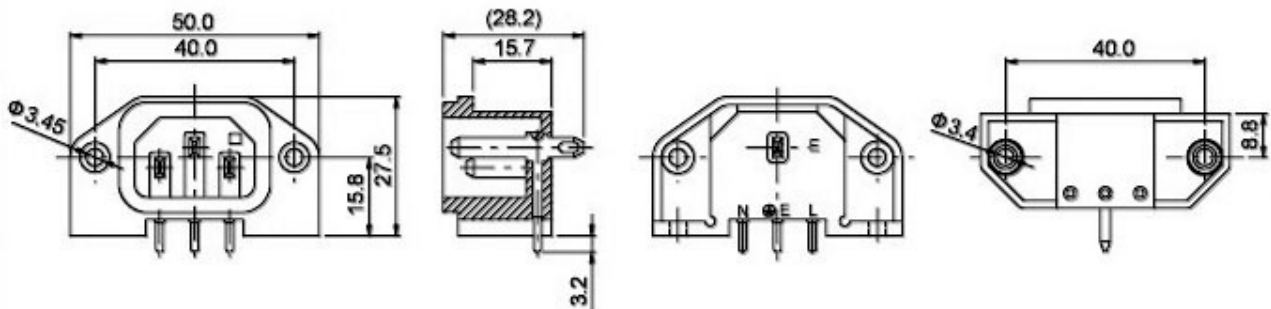
Rating: 15A 250V AC / 10A 250V AC

Insulation Resistance: 100MΩ 500V DC/1 Min.

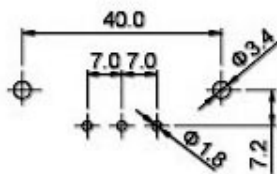
Dielectric Strength: 2000V AC/1 Min.

Housing Material: Thermoplastic

All materials must be RoHS compliant.



PANEL CUT-OUT



P.C.B LAYOUT

ORDERING INFORMATION:

P/N A C $\frac{C14}{1}$ - $\frac{13}{2}$ - $\frac{00}{3}$

1. CORD TYPE:
"C14" IEC-60320 C14 (MALE)
2. CONNECTOR CODE:
13
3. TERMINAL CODE:
00

AC POWER PLUG IEC INLET C14 RIGHT ANGLE TYPE (26)



SPECIFICATIONS

Standard: IEC 60320 C14

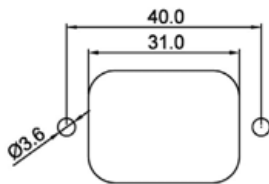
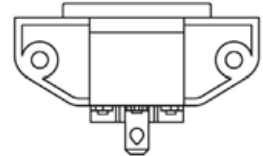
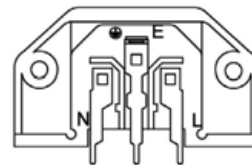
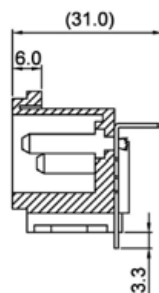
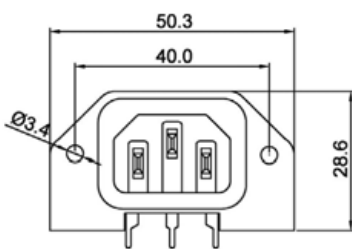
Rating: 15A 250V AC / 10A 250V AC

Insulation Resistance: 100MΩ 500V DC/1 Min.

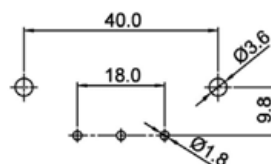
Dielectric Strength: 2000V AC/1 Min.

Housing Material: Thermoplastic

All materials must be RoHS compliant.



PANEL CUT-OUT



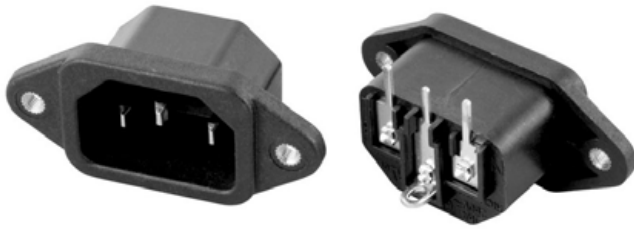
P.C.B LAYOUT

ORDERING INFORMATION:

P/N A C C14 - 14 - 18

1. CORD TYPE:
"C14" IEC-60320 C14 (MALE)
2. CONNECTOR CODE:
14
3. TERMINAL CODE:
18

AC POWER PLUG IEC INLET C14 RIGHT ANGLE TYPE (27)



SPECIFICATIONS

Standard: IEC 60320 C14

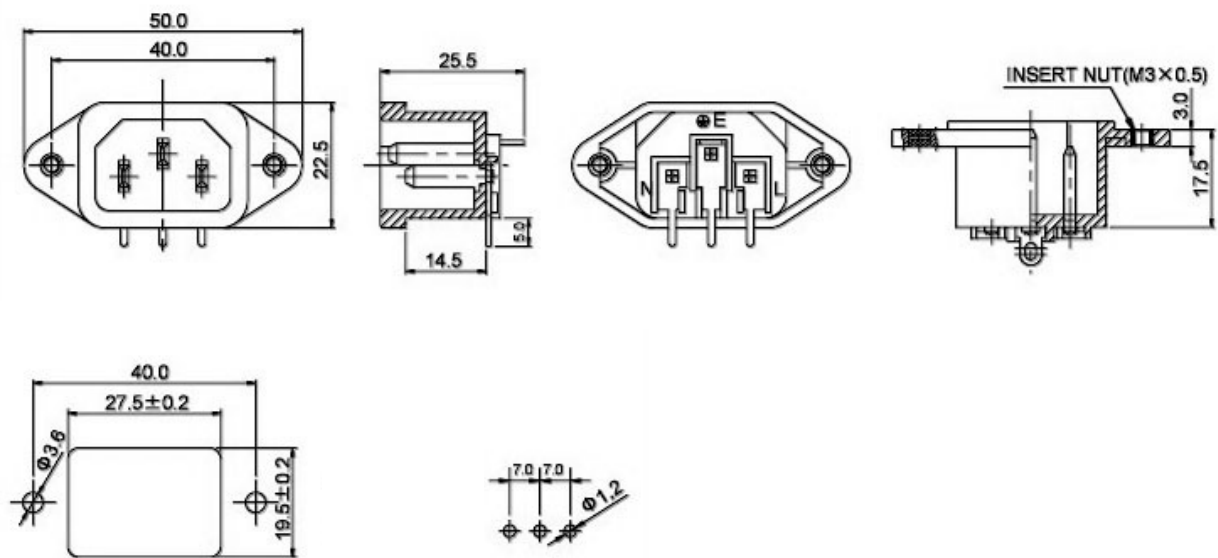
Rating: 15A 250V AC / 10A 250V AC

Insulation Resistance: 100MΩ 500V DC/1 Min.

Dielectric Strength: 2000V AC/1 Min.

Housing Material: Thermoplastic

All materials must be RoHS compliant.



PANEL CUT-OUT

P.C.B LAYOUT

ORDERING INFORMATION:

P/N A C C14 - 15 - 39

1. CORD TYPE:
"C14" IEC-60320 C14 (MALE)
2. CONNECTOR CODE:
15
3. TERMINAL CODE:
39