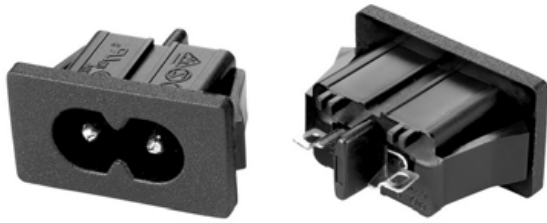




## AC POWER PLUG IEC INLET C8 CABLE SOLDER TYPE (2)



### SPECIFICATIONS

**Standard:** IEC 60320 C8

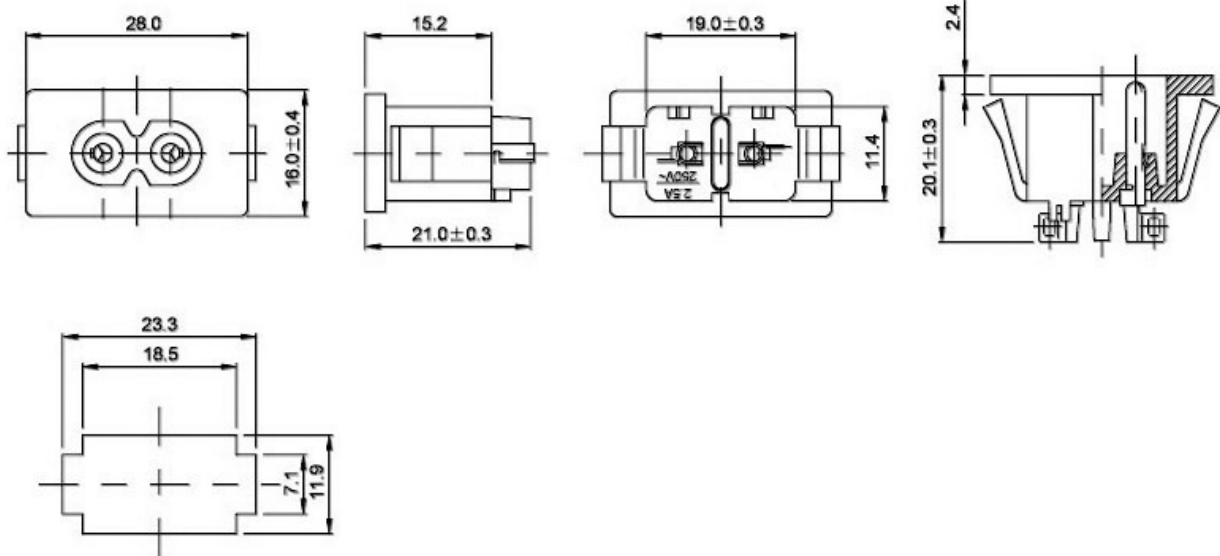
**Rating:** 2.5A 250V AC

**Insulation Resistance:** 100M $\Omega$  500V DC/1 Min.

**Dielectric Strength:** 2000V AC/1 Min.

**Housing Material:** Thermoplastic

All materials must be RoHS compliant.



**PANEL CUT-OUT**

### ORDERING INFORMATION:

**P/N** A C C 08 - 12 - 01

1. CORD TYPE:  
"C08" IEC-60320 C8 (MALE)
2. CONNECTOR CODE:  
12
3. TERMINAL CODE:  
01

## AC POWER PLUG IEC INLET C8 CABLE SOLDER TYPE (3)



### SPECIFICATIONS

**Standard:** IEC 60320 C8

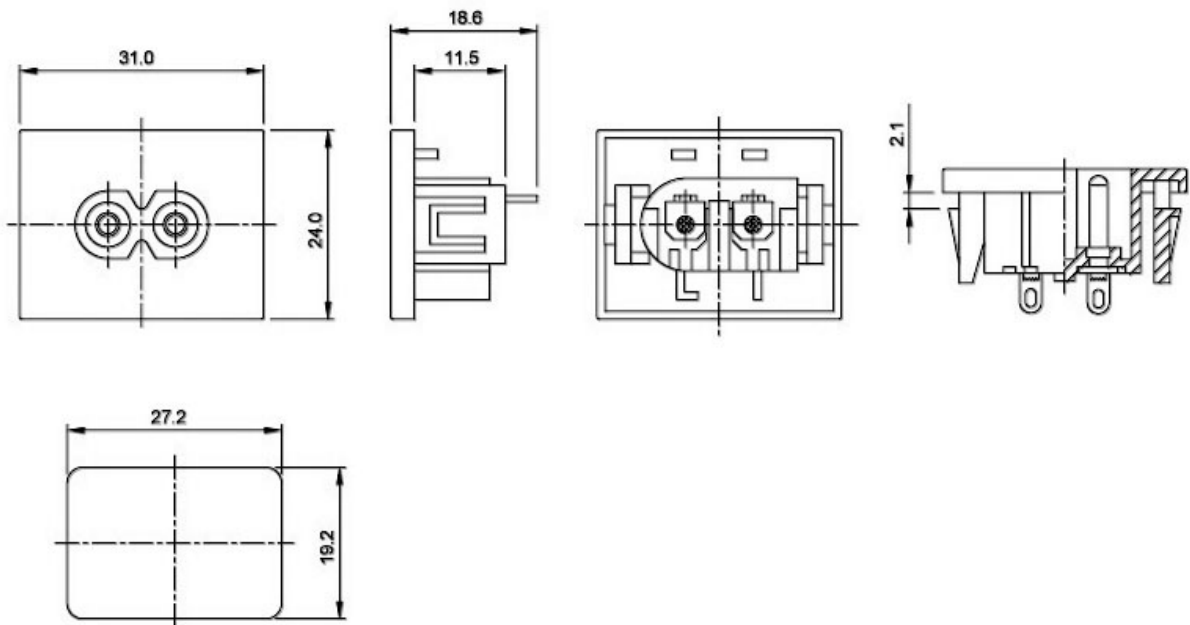
**Rating:** 2.5A 250V AC

**Insulation Resistance:** 100MΩ 500V DC/1 Min.

**Dielectric Strength:** 2000V AC/1 Min.

**Housing Material:** Thermoplastic

**All materials must be RoHS compliant.**



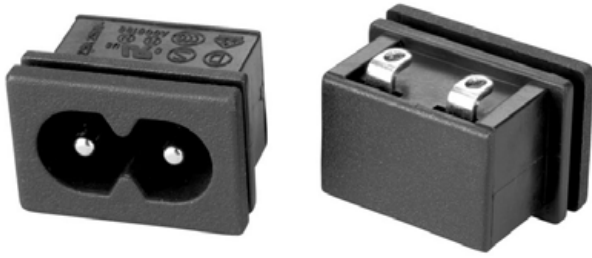
**PANEL CUT-OUT**

### ORDERING INFORMATION:

**P/N A C C 08 - 13 - 03**

1. CORD TYPE:  
"C08" IEC-60320 C8 (MALE)
2. CONNECTOR CODE:  
13
3. TERMINAL CODE:  
03

## AC POWER PLUG IEC INLET C8 CABLE SOLDER TYPE (4)



### SPECIFICATIONS

**Standard:** IEC 60320 C8

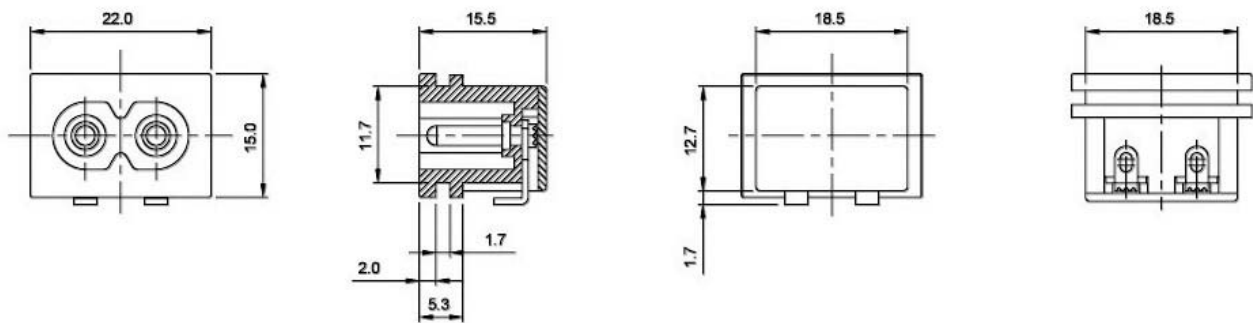
**Rating:** 2.5A 250V AC

**Insulation Resistance:** 100MΩ 500V DC/1 Min.

**Dielectric Strength:** 2000V AC/1 Min.

**Housing Material:** Thermoplastic

**All materials must be RoHS compliant.**

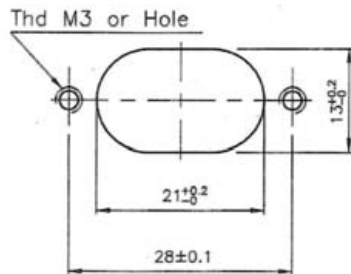


### ORDERING INFORMATION:

**P/N** A C C 08 - 14 - 03

1. CORD TYPE:  
"C08" IEC-60320 C8 (MALE)
2. CONNECTOR CODE:  
14
3. TERMINAL CODE:  
03

## AC POWER PLUG IEC INLET C8 CABLE SOLDER TYPE (5)



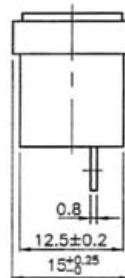
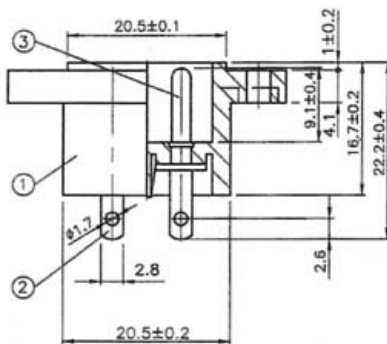
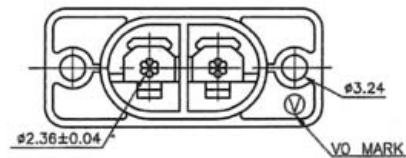
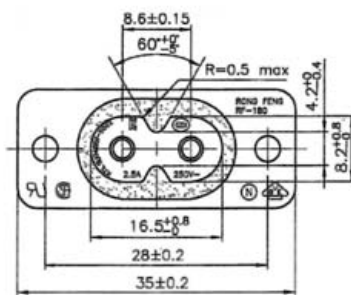
**PANEL CUT-OUT**

### SPECIFICATIONS

Rating: 2.5A 250V AC

Approvals: UL/CSA/VDE/NEMKO/CCC/KTL

All materials must be RoHS compliant.



### ORDERING INFORMATION:

P/N A C C08 - 51 - xx  
1 2 3

1. CORD TYPE:  
"C08" IEC-60320 C8 (MALE)
2. CONNECTOR CODE:  
51
3. HOLE TYPE:  
"00" NON-THREADED HOLE  
"M3" M3 THREADED HOLE



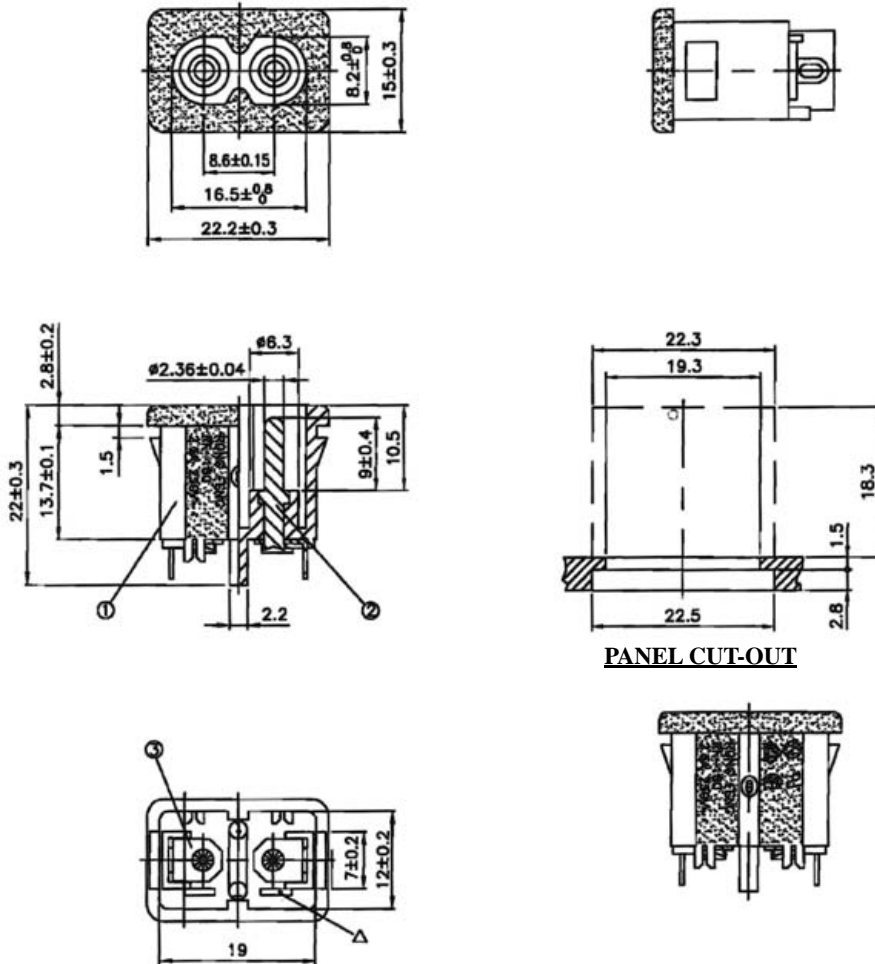
## AC POWER PLUG IEC INLET C8 CABLE SOLDER TYPE (7)

### SPECIFICATIONS

Rating: 2.5A 250V AC

Approvals: UL/CSA/VDE/NEMKO/CCC

All materials must be RoHS compliant.



### ORDERING INFORMATION:

P/N A C C 08 - 54 - 00  
          1          2          3

1. CORD TYPE:  
"C08" IEC-60320 C8 (MALE)
2. CONNECTOR CODE:  
54
3. TERMINAL CODE:  
00



## AC POWER PLUG IEC INLET C8 RIGHT ANGLE TYPE (9)



### SPECIFICATIONS

**Standard:** IEC 60320 C8

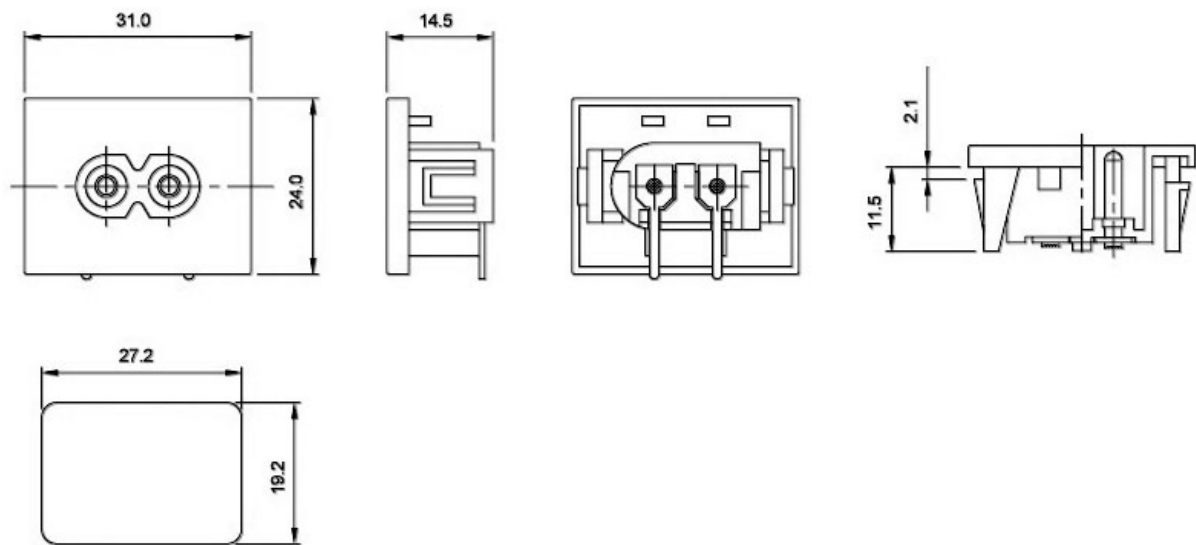
**Rating:** 2.5A 250V AC

**Insulation Resistance:** 100MΩ 500V DC/1 Min.

**Dielectric Strength:** 2000V AC/1 Min.

**Housing Material:** Thermoplastic

**All materials must be RoHS compliant.**



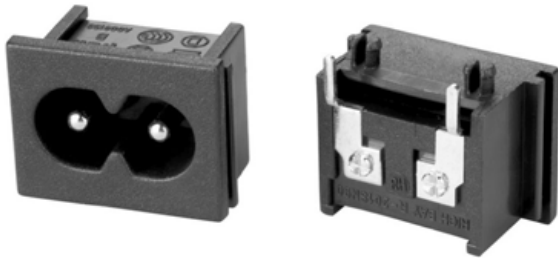
**PANEL CUT-OUT**

### ORDERING INFORMATION:

**P/N A C C08 - 16 - 00**

1. CORD TYPE:  
"C08" IEC-60320 C8 (MALE)
2. CONNECTOR CODE:  
16
3. TERMINAL CODE:  
00

## AC POWER PLUG IEC INLET C8 RIGHT ANGLE TYPE (10)



### SPECIFICATIONS

**Standard:** IEC 60320 C8

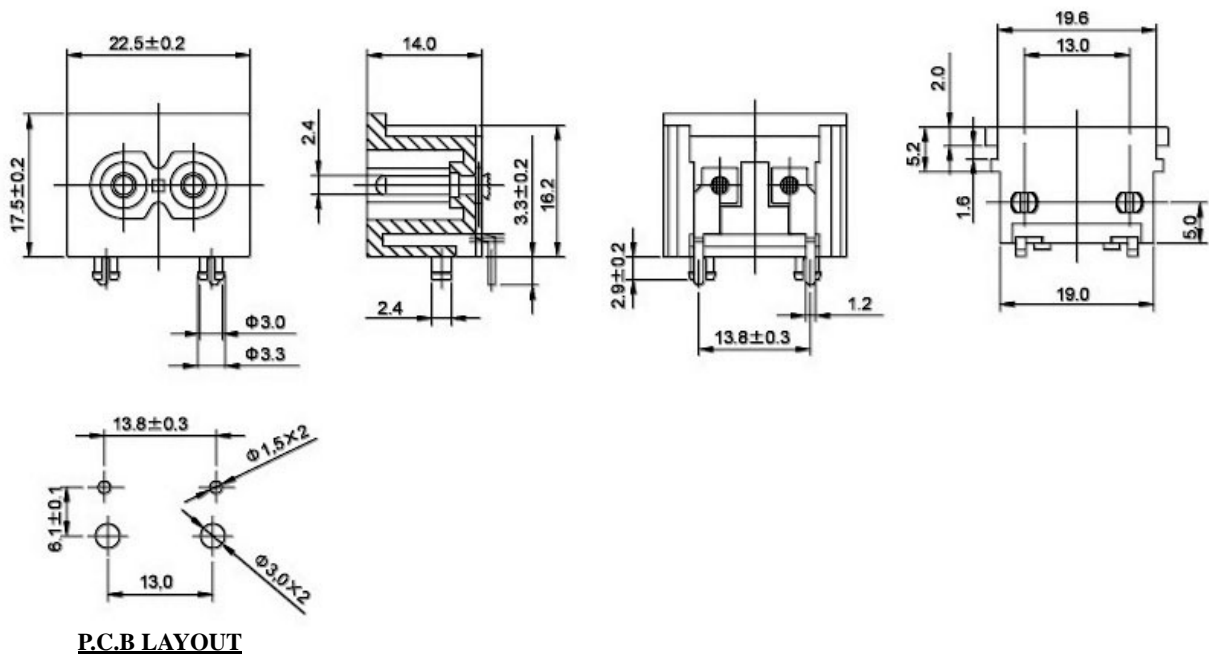
**Rating:** 2.5A 250V AC

**Insulation Resistance:** 100M $\Omega$  500V DC/1 Min.

**Dielectric Strength:** 2000V AC/1 Min.

**Housing Material:** Thermoplastic

All materials must be RoHS compliant.

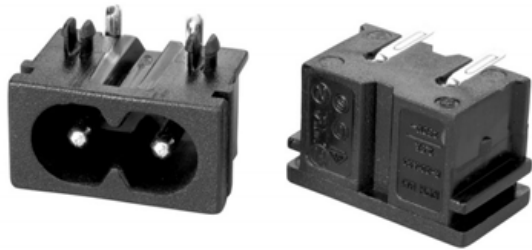


### ORDERING INFORMATION:

**P/N** A C C08 - 17 - 06

1. CORD TYPE:  
"C08" IEC-60320 C8 (MALE)
2. CONNECTOR CODE:  
17
3. TERMINAL CODE:  
06

## AC POWER PLUG IEC INLET C8 RIGHT ANGLE TYPE (11)



### SPECIFICATIONS

**Standard:** IEC 60320 C8

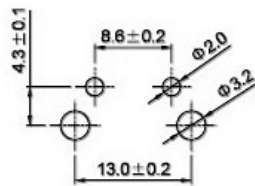
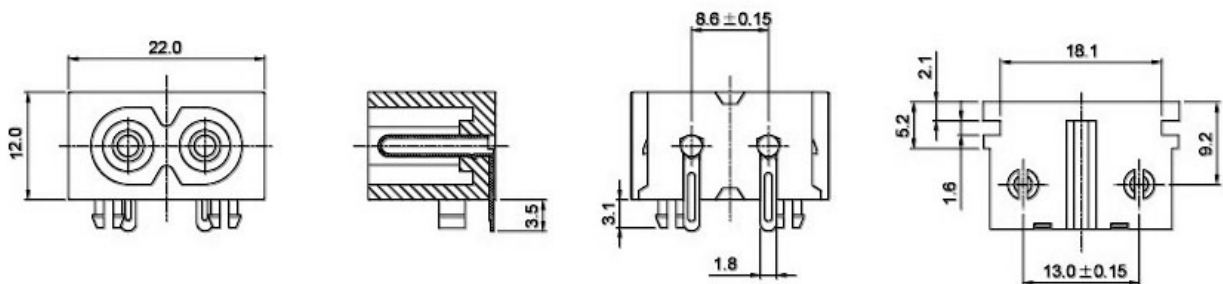
**Rating:** 2.5A 250V AC

**Insulation Resistance:** 100M $\Omega$  500V DC/1 Min.

**Dielectric Strength:** 2000V AC/1 Min.

**Housing Material:** Thermoplastic

All materials must be RoHS compliant.



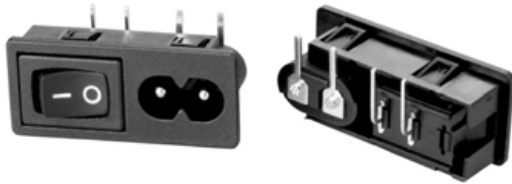
**P.C.B LAYOUT**

### ORDERING INFORMATION:

**P/N A C C08 - 18 - 17**

1. CORD TYPE:  
"C08" IEC-60320 C8 (MALE)
2. CONNECTOR CODE:  
18
3. TERMINAL CODE:  
17

## AC POWER PLUG IEC INLET C8 RIGHT ANGLE TYPE (12)



### SPECIFICATIONS

**Standard:** IEC 60320 C8

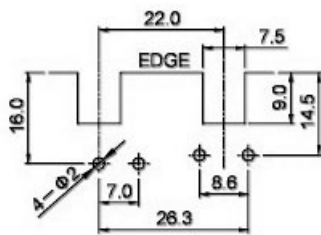
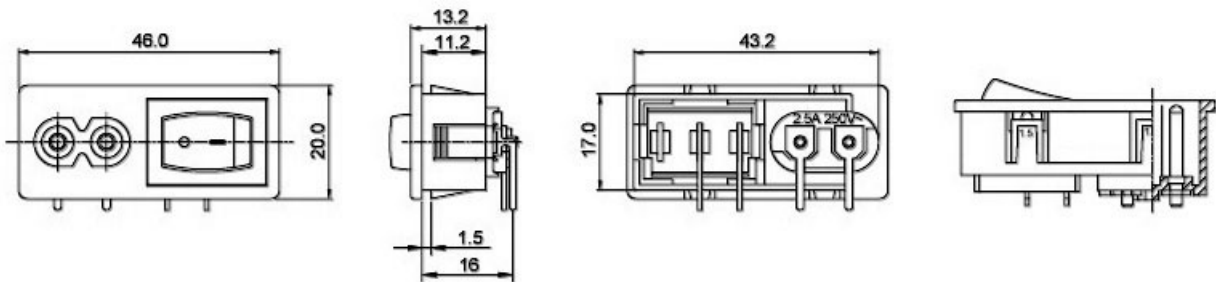
**Rating:** 2.5A 250V AC

**Insulation Resistance:** 100MΩ 500V DC/1 Min.

**Dielectric Strength:** 2000V AC/1 Min.

**Housing Material:** Thermoplastic

All materials must be RoHS compliant.



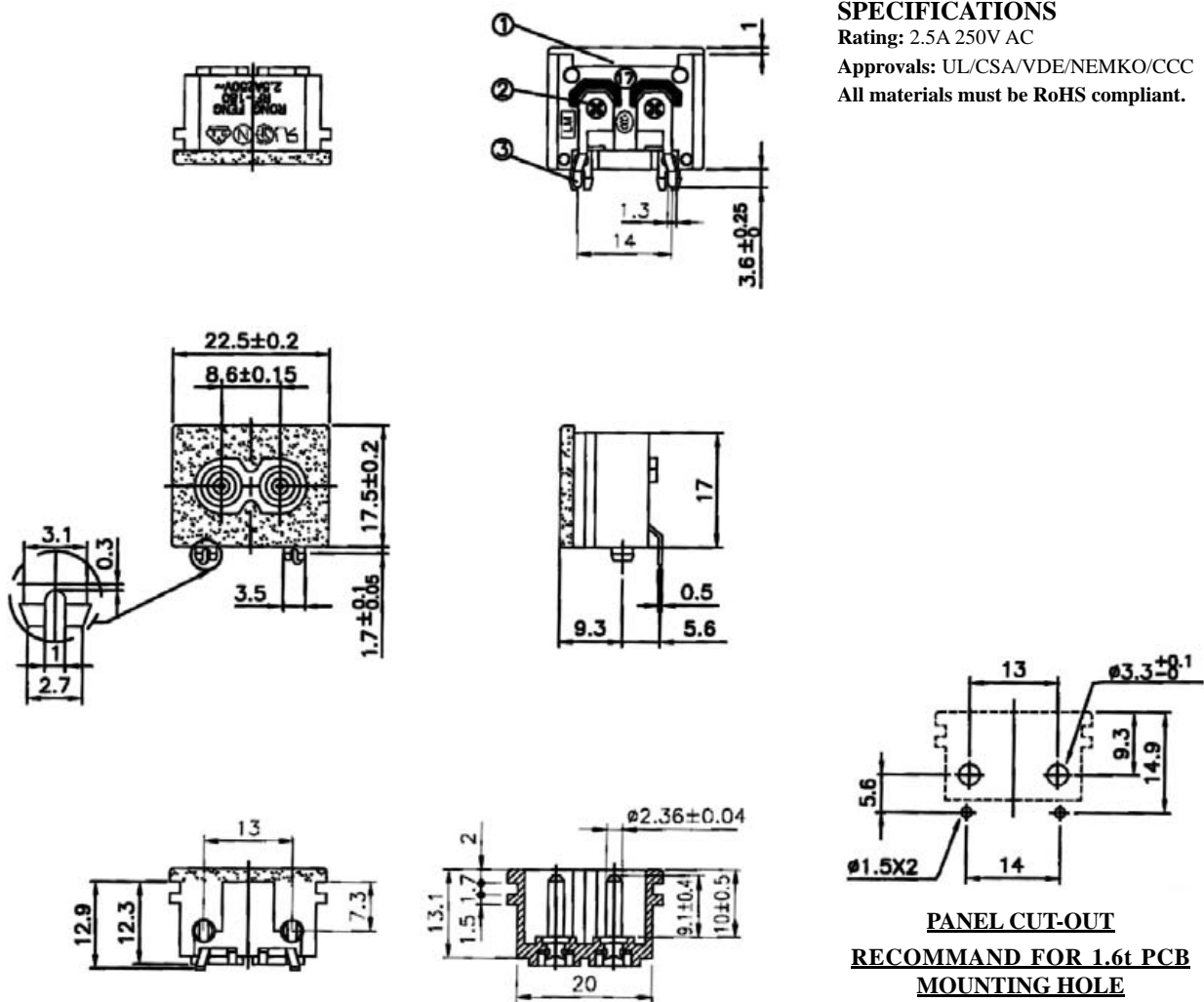
**P.C.B LAYOUT**

### ORDERING INFORMATION:

**P/N A C C08 - 19 - 14**

1. CORD TYPE:  
"C08" IEC-60320 C8 (MALE) WITH SWITCH
2. CONNECTOR CODE:  
19
3. TERMINAL CODE:  
14

## AC POWER PLUG IEC INLET C8 RIGHT ANGLE TYPE (13)



### SPECIFICATIONS

Rating: 2.5A 250V AC

Approvals: UL/CSA/VDE/NEMKO/CCC

All materials must be RoHS compliant.

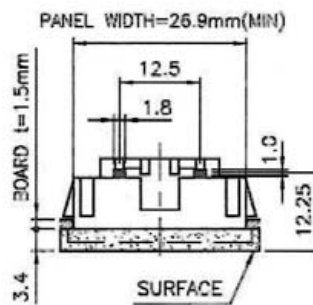
**PANEL CUT-OUT**  
**RECOMMEND FOR 1.6t PCB**  
**MOUNTING HOLE**

### ORDERING INFORMATION:

P/N A C C08 - 56 - 00  
 1 2 3

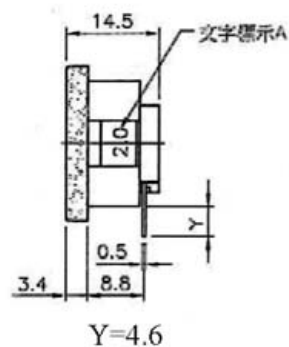
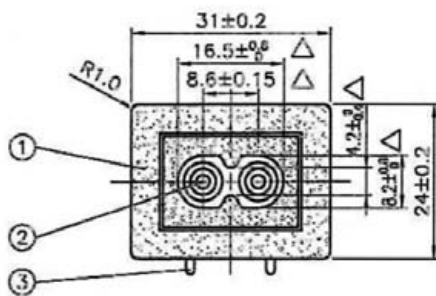
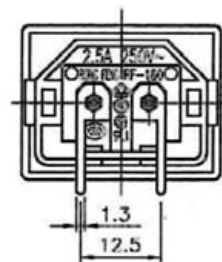
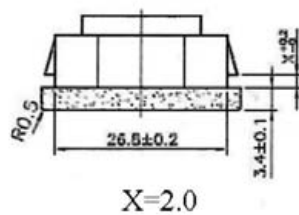
1. CORD TYPE:  
"C08" IEC-60320 C8 (MALE)
2. CONNECTOR CODE:  
56
3. TERMINAL CODE:  
00

## AC POWER PLUG IEC INLET C8 RIGHT ANGLE TYPE (14)



PANEL CUT-OUT

P.C.B. LAYOUT



Y=4.6

### ORDERING INFORMATION:

P/N A C C 08 - 58 - 00  
 $\frac{1}{2} \quad \frac{3}{3}$

1. CORD TYPE:  
"C08" IEC-60320 C8 (MALE)
2. CONNECTOR CODE:  
58
3. TERMINAL CODE:  
00