

AC POWER PLUG IEC INLET C6 CABLE SOLDER TYPE (1)



SPECIFICATIONS

Standard: IEC 60320 C6

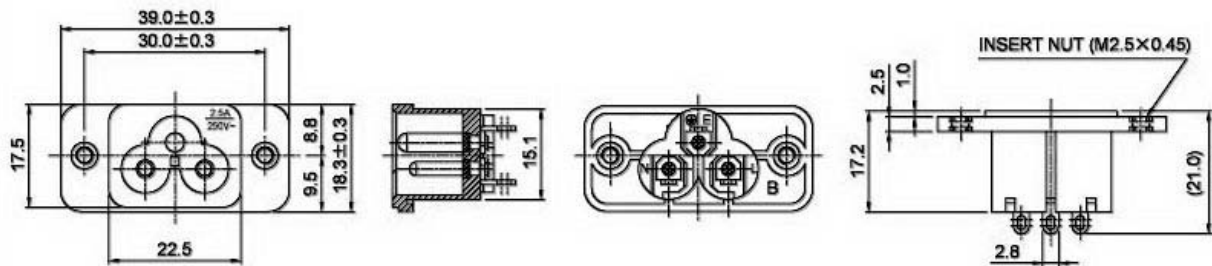
Rating: 2.5A 250V AC

Insulation Resistance: 100M Ω 500V DC/1 Min.

Dielectric Strength: 2000V AC/1 Min.

Housing Material: Thermoplastic

All materials must be RoHS compliant.



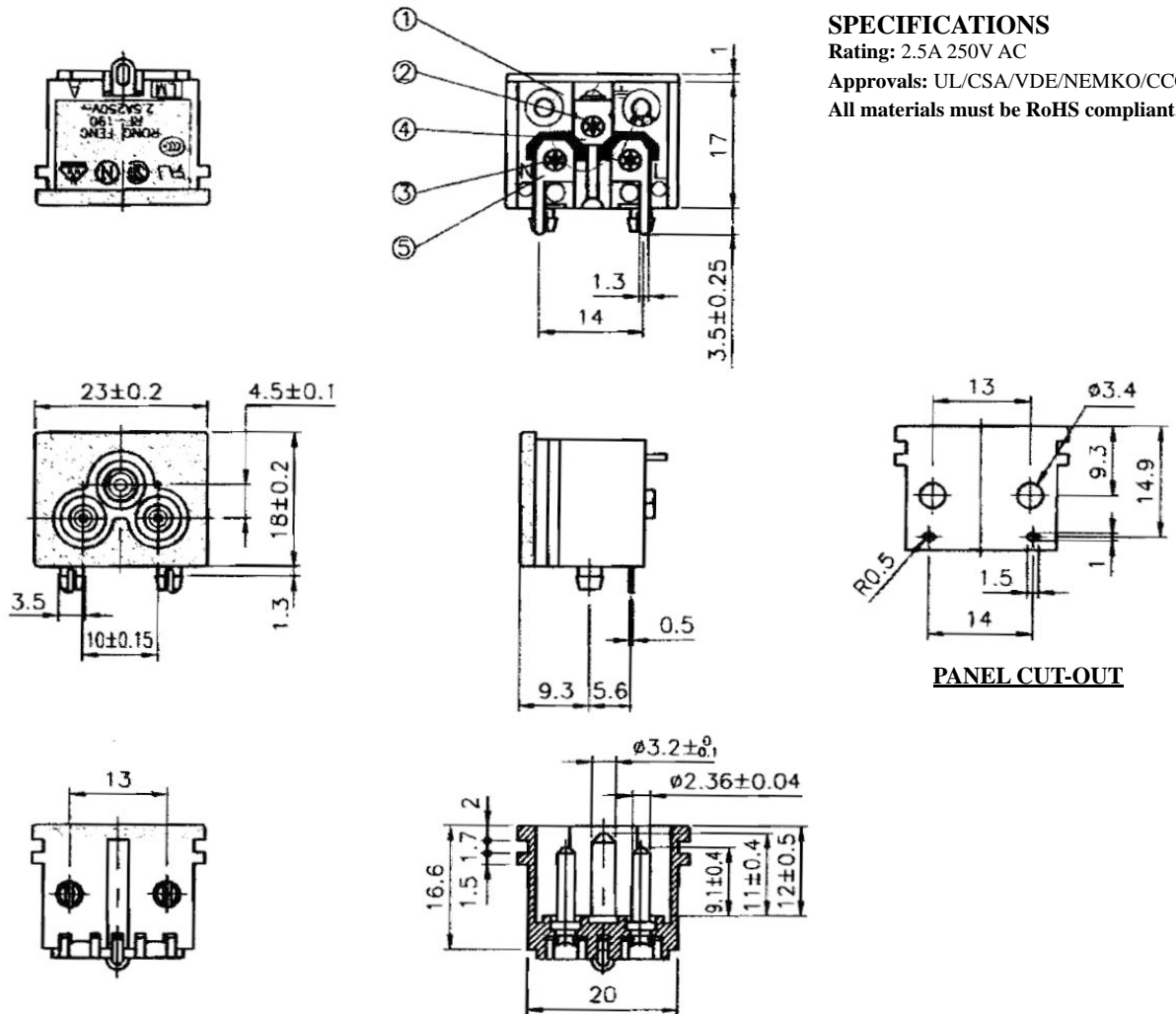
PANEL CUT-OUT

ORDERING INFORMATION:

P/N A C C06 - 01 - 00

1. CORD TYPE:
"C06" IEC-60320 C6 (MALE)
2. CONNECTOR CODE:
01
3. TERMINAL CODE:
00

AC POWER PLUG IEC INLET C6 RIGHT ANGLE TYPE (2)



ORDERING INFORMATION:

P/N A C C06 - 42 - 00
 1 2 3

1. CORD TYPE:
"C06" IEC-60320 C6 (MALE)
2. CONNECTOR CODE:
42
3. TERMINAL CODE:
00

AC POWER PLUG IEC INLET C6 RIGHT ANGLE TYPE (3)



SPECIFICATIONS

Standard: IEC 60320 C6

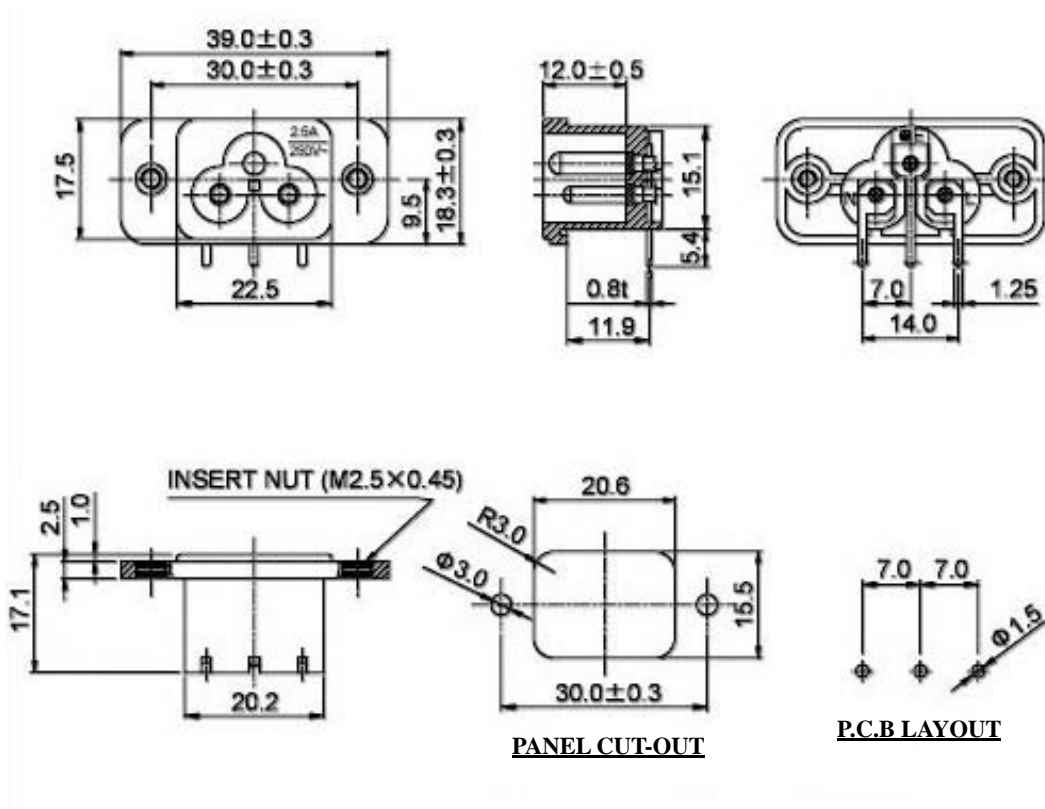
Rating: 2.5A 250V AC

Insulation Resistance: 100MΩ 500V DC/1 Min.

Dielectric Strength: 2000V AC/1 Min.

Housing Material: Thermoplastic

All materials must be RoHS compliant.

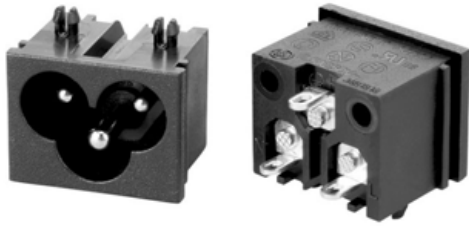


ORDERING INFORMATION:

P/N A C C 06 - 02 - 18

1. CORD TYPE:
"C06" IEC-60320 C6 (MALE)
2. CONNECTOR CODE:
02
3. TERMINAL CODE:
18

AC POWER PLUG IEC INLET C6 RIGHT ANGLE TYPE (4)



SPECIFICATIONS

Standard: IEC 60320 C6

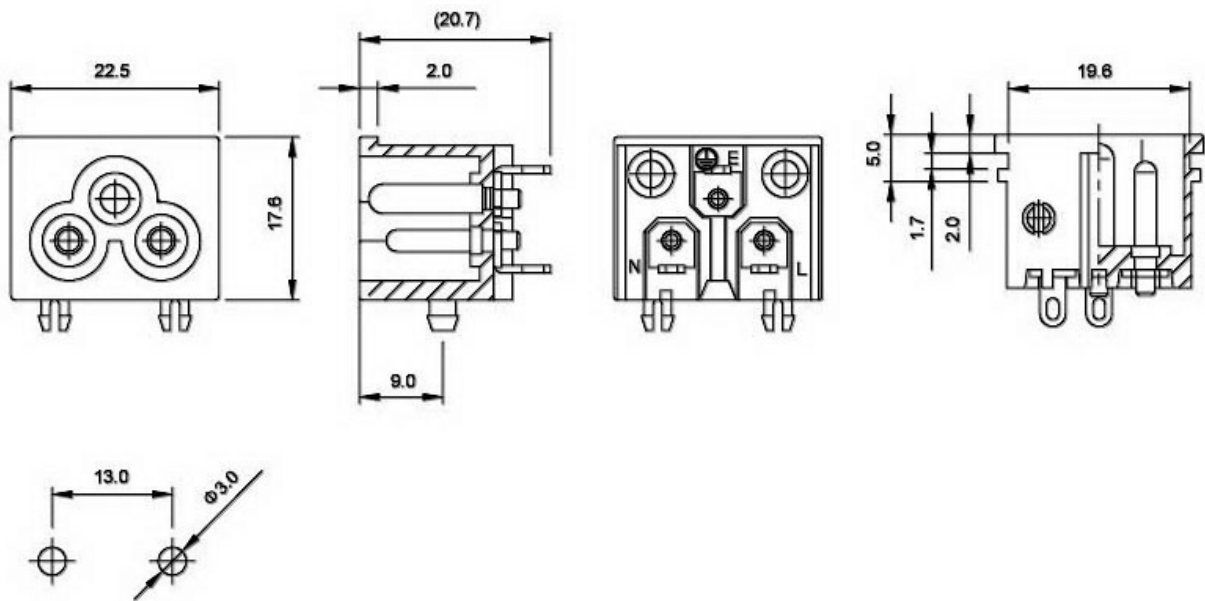
Rating: 2.5A 250V AC

Insulation Resistance: 100M Ω 500V DC/1 Min.

Dielectric Strength: 2000V AC/1 Min.

Housing Material: Thermoplastic

All materials must be RoHS compliant.



P.C.B LAYOUT

ORDERING INFORMATION:

P/N A C C 06 - 03 - 03

1. CORD TYPE:
"C06" IEC-60320 C6 (MALE)
2. CONNECTOR CODE:
03
3. TERMINAL CODE:
03

AC POWER PLUG IEC INLET C6 RIGHT ANGLE TYPE (5)



SPECIFICATIONS

Standard: IEC 60320 C6

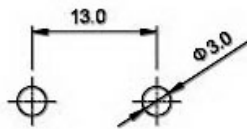
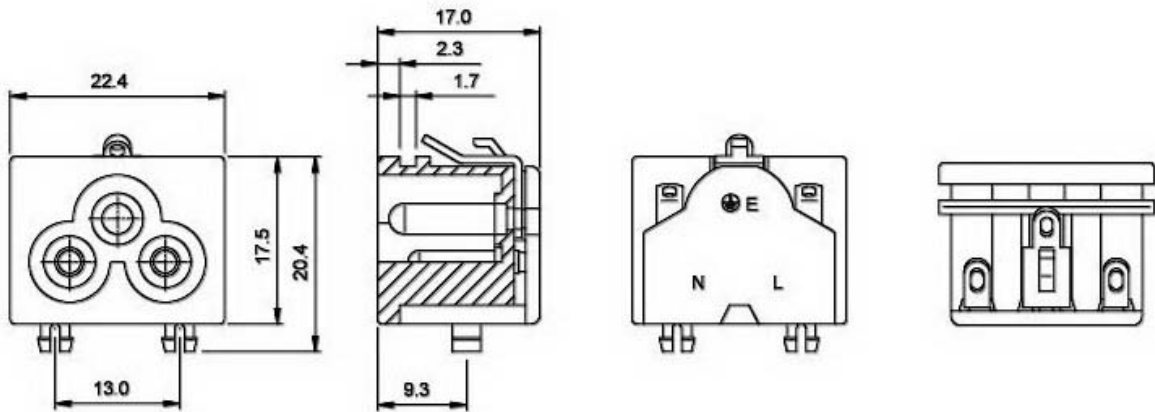
Rating: 2.5A 250V AC

Insulation Resistance: 100M Ω 500V DC/1 Min.

Dielectric Strength: 2000V AC/1 Min.

Housing Material: Thermoplastic

All materials must be RoHS compliant.



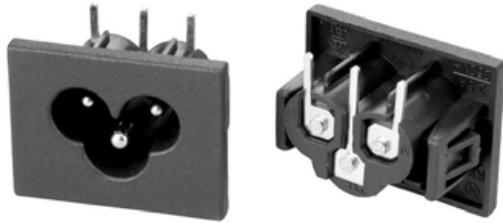
P.C.B LAYOUT

ORDERING INFORMATION:

P/N A C C06 - 04 - 08

1. CORD TYPE:
"C06" IEC-60320 C6 (MALE)
2. CONNECTOR CODE:
04
3. TERMINAL CODE:
08

AC POWER PLUG IEC INLET C6 RIGHT ANGLE TYPE (6)



SPECIFICATIONS

Standard: IEC 60320 C6

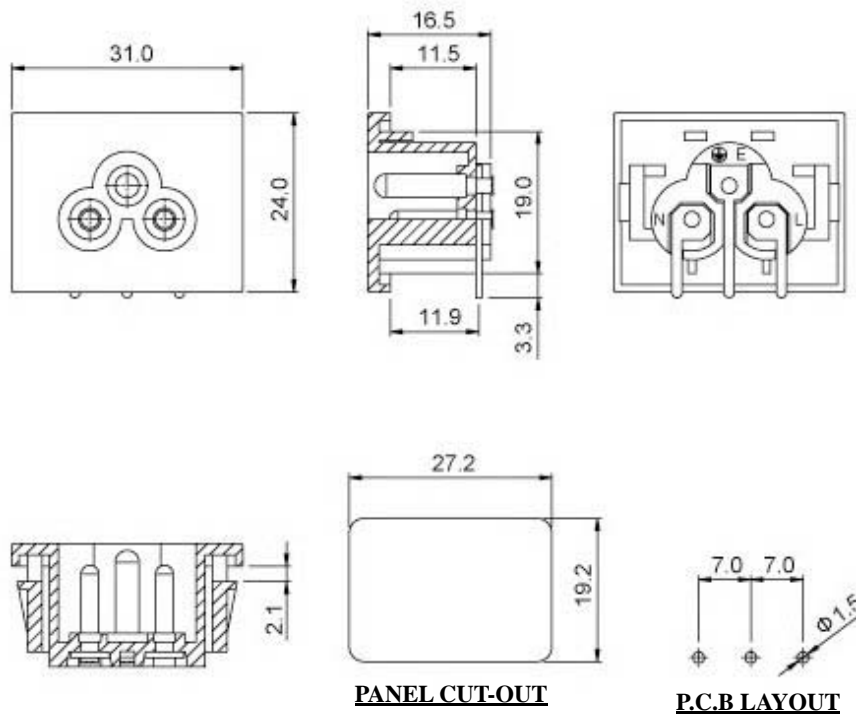
Rating: 2.5A 250V AC

Insulation Resistance: 100MΩ 500V DC/1 Min.

Dielectric Strength: 2000V AC/1 Min.

Housing Material: Thermoplastic

All materials must be RoHS compliant.

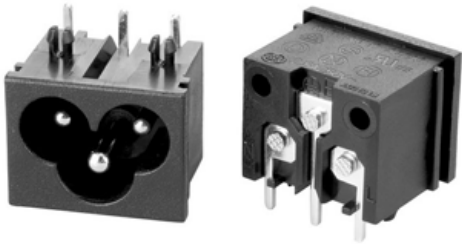


ORDERING INFORMATION:

P/N A C C06 - 05 - 01

1. CORD TYPE:
"C06" IEC-60320 C6 (MALE)
2. CONNECTOR CODE:
05
3. TERMINAL CODE:
01

AC POWER PLUG IEC INLET C6 RIGHT ANGLE TYPE (7)



SPECIFICATIONS

Standard: IEC 60320 C6

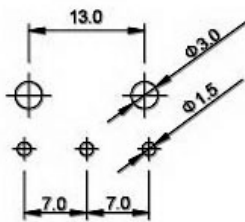
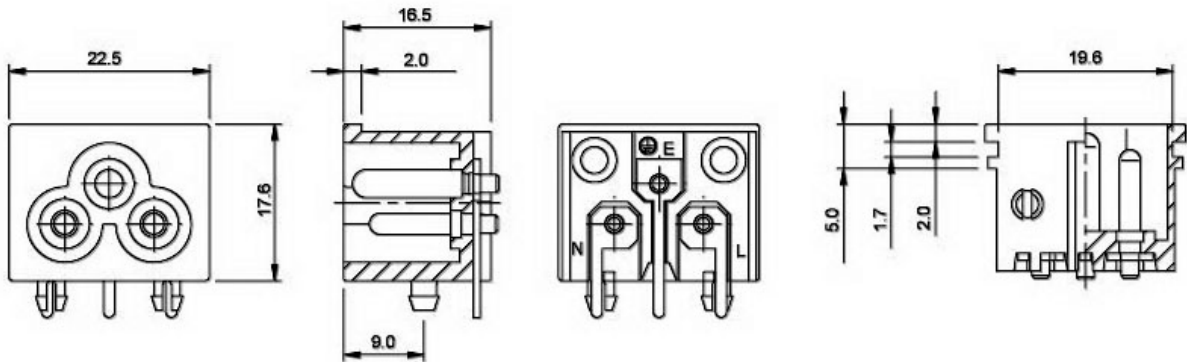
Rating: 2.5A 250V AC

Insulation Resistance: 100M Ω 500V DC/1 Min.

Dielectric Strength: 2000V AC/1 Min.

Housing Material: Thermoplastic

All materials must be RoHS compliant.



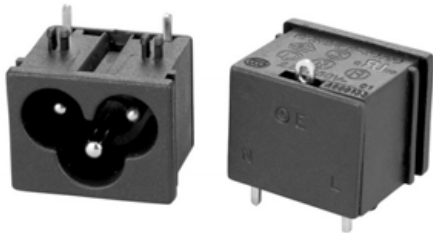
P.C.B LAYOUT

ORDERING INFORMATION:

P/N A C C 06 - 06 - 01

1. CORD TYPE:
"C06" IEC-60320 C6 (MALE)
2. CONNECTOR CODE:
06
3. TERMINAL CODE:
01

AC POWER PLUG IEC INLET C6 RIGHT ANGLE TYPE (8)



SPECIFICATIONS

Standard: IEC 60320 C6

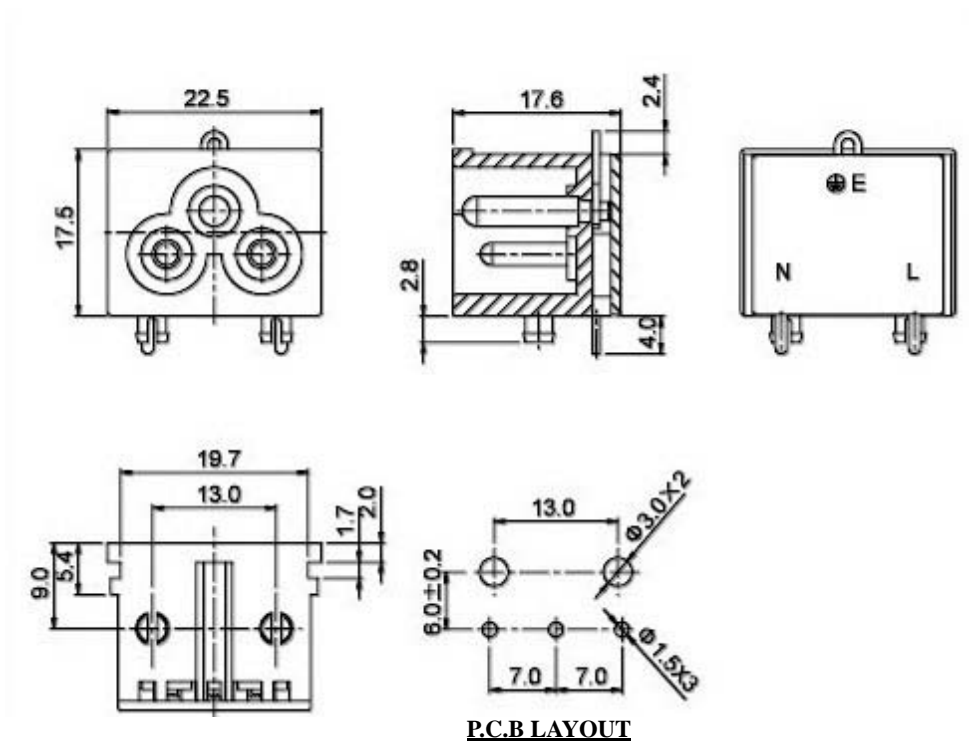
Rating: 2.5A 250V AC

Insulation Resistance: 100MΩ 500V DC/1 Min.

Dielectric Strength: 2000V AC/1 Min.

Housing Material: Thermoplastic

All materials must be RoHS compliant.



ORDERING INFORMATION:

P/N A C C06 - 07 - 26
 1 2 3

1. CORD TYPE:
"C06" IEC-60320 C6 (MALE)
2. CONNECTOR CODE:
07
3. TERMINAL CODE:
26