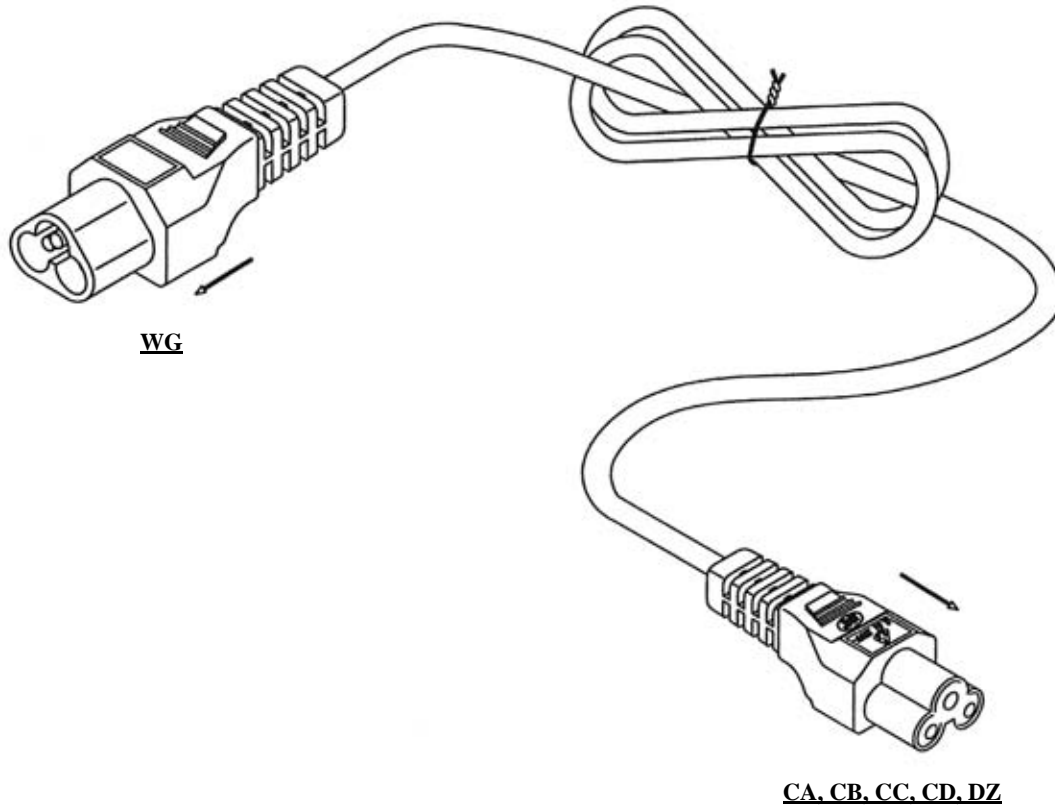


**AC POWER CORDSET WITH IEC-320 SHEET A (C6) PLUG TO
IEC-320 C5 SOCKET**



ORDERING INFORMATION:

P/N K A C $\frac{xxx}{1}$ $\frac{WG}{2}$ / $\frac{xx}{3}$ - $\frac{xx}{4}$ $\frac{M}{5}$ $\frac{B}{5}$

1. CORD TYPE:

101~~999

2. CONNECTOR AT END 1:

"WG" IEC-320 SHEET A PLUG (VDE)

3. CONNECTOR AT END 2:

"CA" IEC-320-C5 SOCKET (UL+CSA)

"CB" IEC-320-C5 SOCKET (INMETRO+UL)

"CC" IEC-320-C5 SOCKET (VDE)

"CD" IEC-320-C5 SOCKET (PSE)

"DZ" IEC-320-C5 SOCKET (BSI)

4. LENGTH IN METERS:

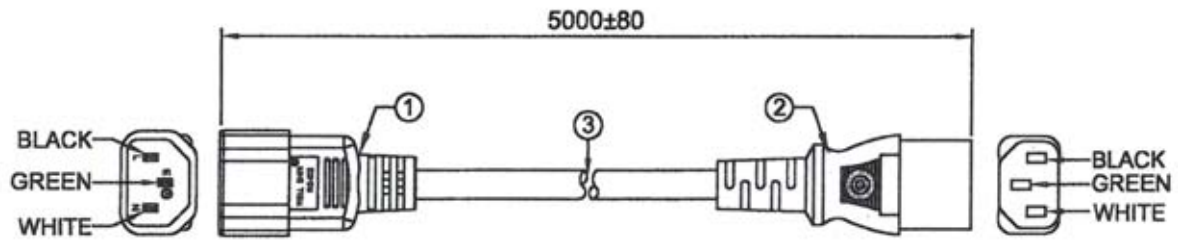
1, 2, 3,...etc

5. CORD COLOR:

"B" BLACK

NOTE: CUSTOMER'S DESIGNS ARE WELCOME!

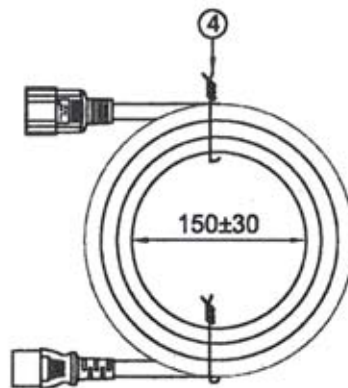
AC POWER CORDSET WITH IEC-320 SHEET E PLUG TO IEC-320 C13 SOCKET



MARKING:



MARKING:



KAC111CT/CN-5MB

ORDERING INFORMATION:

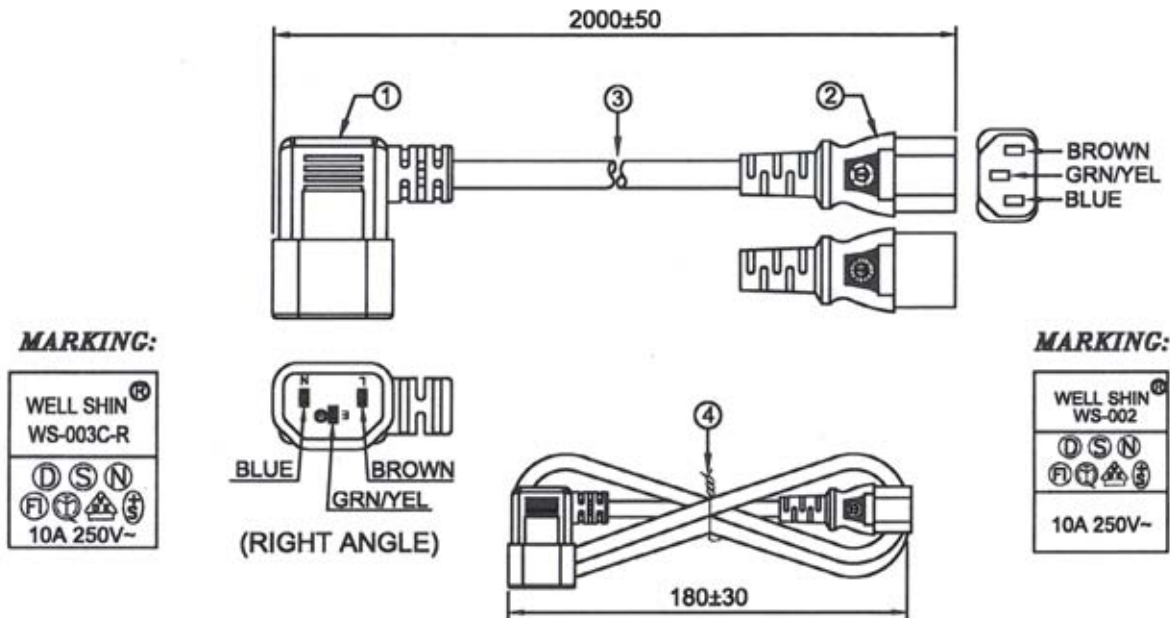
P/N K A C 111 C T / C N - xx M B

1. CORD TYPE:
"111" H05VV-F 3x1.0MMSQ
THE OTHERS UPON REQUEST!
2. CONNECTOR AT END 1:
"CT" IEC-320 SHEET E PLUG (C14) WITH
EUROPEAN APPROVAL
3. CONNECTOR AT END 2:
"CN" IEC-320-C13 SOCKET WITH
EUROPEAN APPROVAL
4. LENGTH IN METERS:
1, 2, 3,...etc

5. CORD COLOR:
"B" BLACK

NOTE: CUSTOMER'S DESIGNS ARE WELCOME!

AC POWER CORDSET WITH IEC-320 SHEET E R/A PLUG TO IEC-320 C13 SOCKET



KAC110CU/CN-2MB

ORDERING INFORMATION:

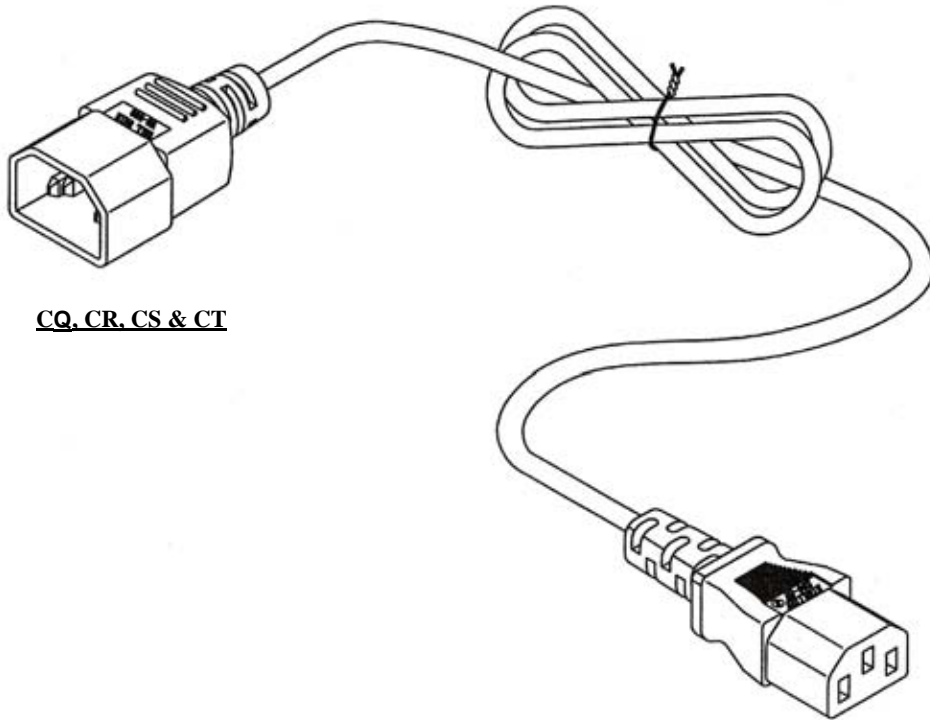
P/N K A C 1 1 0 C U / C N - x x M B
 1 2 3 4 5

1. CORD TYPE:
"110" H05VV-F 3x0.75MMSQ
THE OTHERS UPON REQUEST!
2. CONNECTOR AT END 1:
"CU" IEC-320 SHEET E R/A PLUG (C14)
WITH EUROPEAN APPROVAL
3. CONNECTOR AT END 2:
"CN" IEC-320-C13 SOCKET WITH
EUROPEAN APPROVAL
4. LENGTH IN METERS:
1, 2, 3,...etc

5. CORD COLOR:
"B" BLACK

NOTE: CUSTOMER'S DESIGNS ARE WELCOME!

AC POWER CORDSET WITH IEC-320 SHEET E (C14) PLUG TO IEC-320-C13 SOCKET



CQ, CR, CS & CT

CE, CL, CN, CF, DW, DX, CM

ORDERING INFORMATION:

P/N K A C $\frac{1}{x}$ $\frac{2}{x}$ $\frac{3}{CT / CN}$ - $\frac{4}{x}$ $\frac{5}{M B}$

1. CORD TYPE:
101~~999

2. CONNECTOR AT END 1:

- "CT" IEC-320 SHEET E PLUG WITH EUROPEAN APPROVAL
- "CQ" DITTO, BUT APPROVAL UL+CUL
- "CR" DITTO, BUT APPROVAL CSA
- "CS" DITTO, BUT APPROVAL INMETRO+UL

3. CONNECTOR AT END 2:

- "CN" IEC-320-C13 SOCKET WITH EUROPEAN APPROVAL
- "CE" DITTO, BUT APPROVAL UL+CUL
- "CL" DITTO, BUT APPROVAL INMETRO+UL
- "CF" DITTO, BUT NO APPROVAL BSI

"DW" DITTO, BUT NO APPROVAL VDE

"DX" DITTO, BUT NO APPROVAL SAA

"CM" DITTO, BUT NO APPROVAL PSE

4. LENGTH IN METERS:

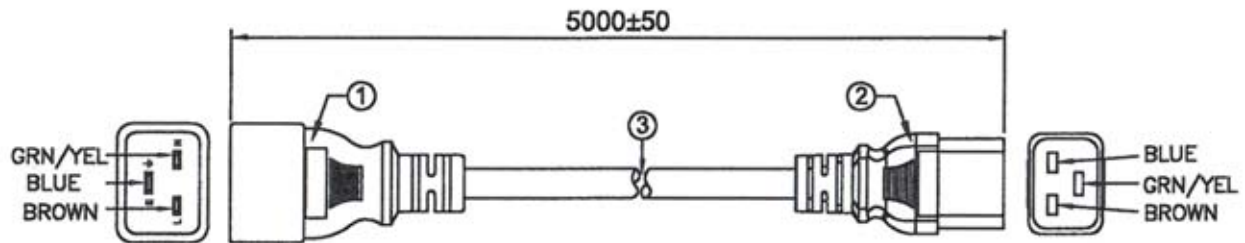
1, 2, 3,...etc

5. CORD COLOR:

"B" BLACK

NOTE: CUSTOMER'S DESIGNS ARE WELCOME!

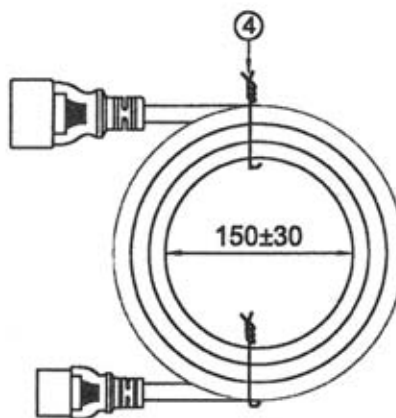
AC POWER CORDSET WITH IEC-320 SHEET I PLUG TO IEC-320 C19 SOCKET



MARKING:



MARKING:



KAC112DV/DM-5MB

ORDERING INFORMATION:

P/N K A C 112 DV / DM - xx MB

1. CORD TYPE:

"112" H05VV-F 3x1.5MMSQ
"111" H05VV-F 3x1.0MMSQ

2. CONNECTOR AT END 1:

"DV" IEC-320 SHEET I PLUG (C20)
(APPROVAL VDE)

3. CONNECTOR AT END 2:

"DM" IEC-320-C19 SOCKET
(APPROVAL VDE)

4. LENGTH IN METERS:

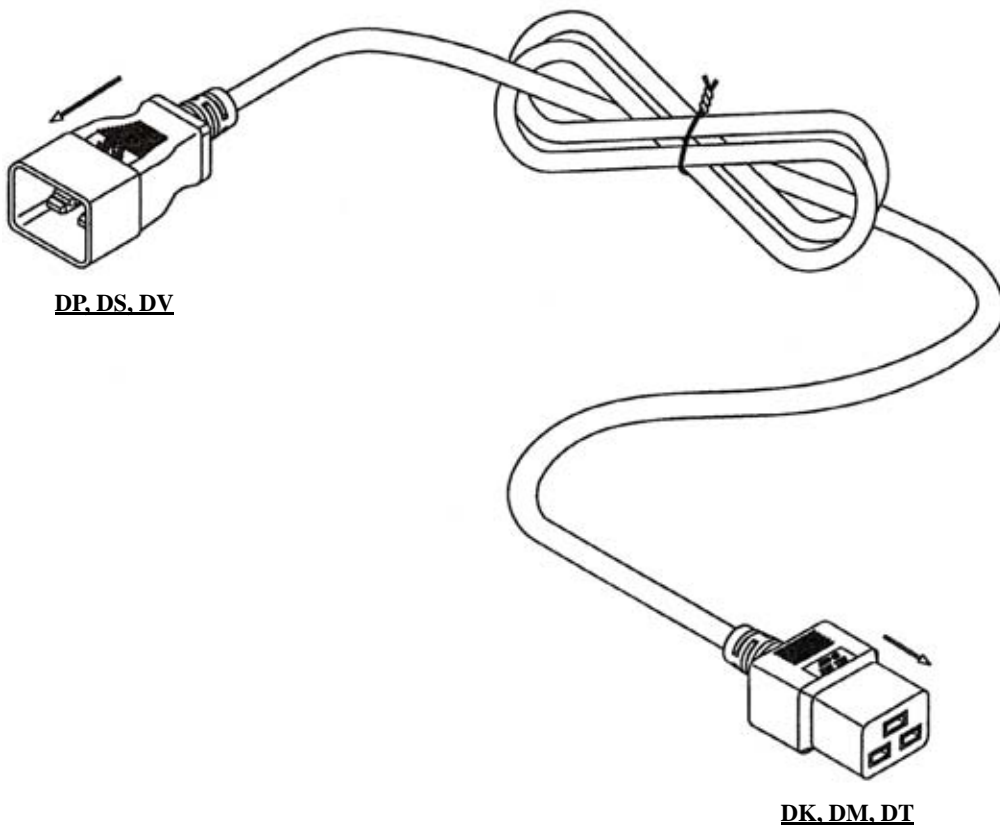
1, 2, 3,...etc

5. CORD COLOR:

"B" BLACK

NOTE: CUSTOMER'S DESIGNS ARE WELCOME!

AC POWER CORDSET WITH IEC-320 SHEET I (C20) PLUG TO IEC-320 C19 SOCKET



ORDERING INFORMATION:

P/N K A C $\frac{x x x x x}{1 \ 2 \ 3} - \frac{x x M B}{4 \ 5}$

1. CORD TYPE:

101~~999

2. CONNECTOR AT END 1:

"DP" IEC-320 SHEET I PLUG (UL+CUL)

"DS" IEC-320 SHEET I PLUG (VDE)

"DV" IEC-320 SHEET I PLUG (EUROPEAN)

3. CONNECTOR AT END 2:

"DK" IEC-320-C19 SOCKET (UL)

"DM" IEC-320-C19 SOCKET (VDE)

"DT" IEC-320-C19 SOCKET (SAA)

4. LENGTH IN METERS:

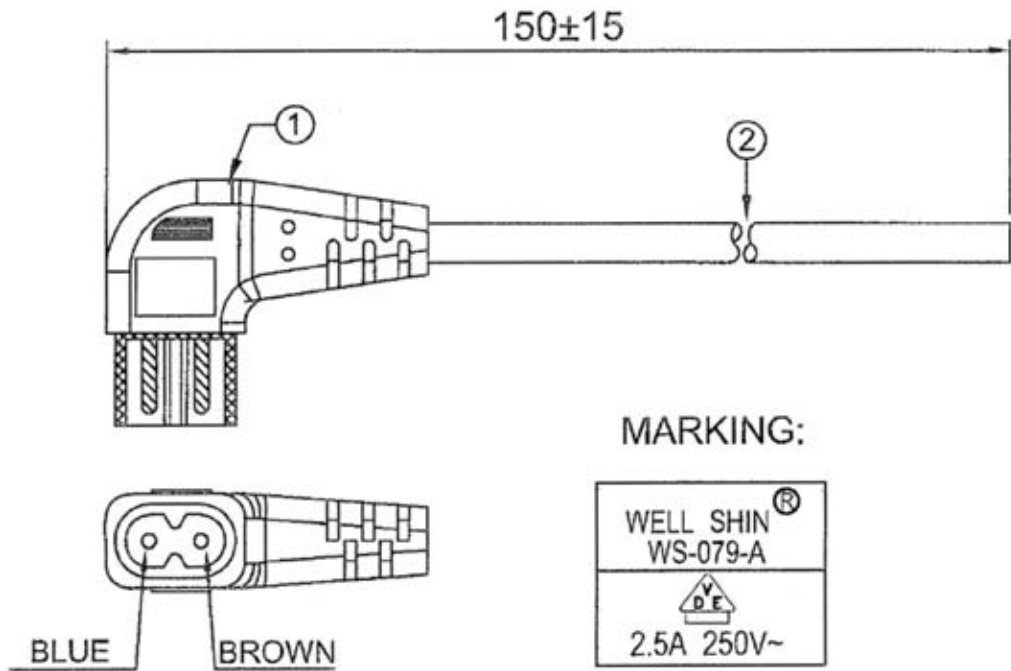
1, 2, 3,...etc

5. CORD COLOR:

"B" BLACK

NOTE: CUSTOMER'S DESIGNS ARE WELCOME!

AC POWER CORDSET WITH IEC-320 SHEET C (C8) PLUG TO OPEN END



KAC106FR/V0-0.15MB

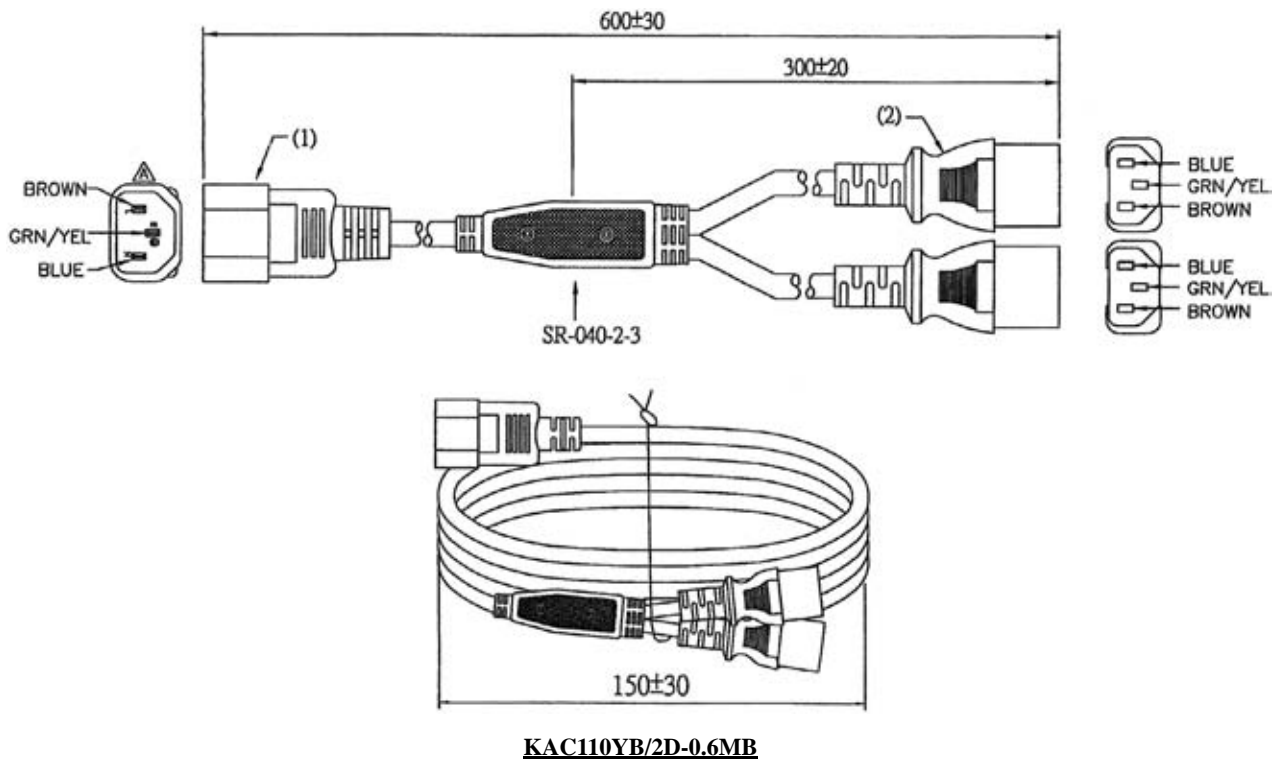
ORDERING INFORMATION:

P/N K A C $\frac{x}{1} \frac{x}{2} \frac{x}{3}$ FR / V $\frac{0}{3}$ - $\frac{x}{4} \frac{x}{5}$ M B

1. CORD TYPE:
"110" H05VV-F 3x0.75MMSQ
"111" H05VV-F 3x1.0MMSQ
"112" H05VV-F 3x1.5MMSQ
2. CONNECTOR AT END 1:
"FR" IEC-320 SHEET C PLUG WITH VDE APPROVAL
3. CONNECTOR AT END 2:
"V0" OPEN END
4. LENGTH IN METERS:
1, 2, 3,...etc
5. CORD COLOR:
"B" BLACK

NOTE: CUSTOMER'S DESIGNS ARE WELCOME!

AC POWER CORDSET WITH IEC-320-C14 PLUG TO 2 IEC-320-C13 SOCKETS



ORDERING INFORMATION:

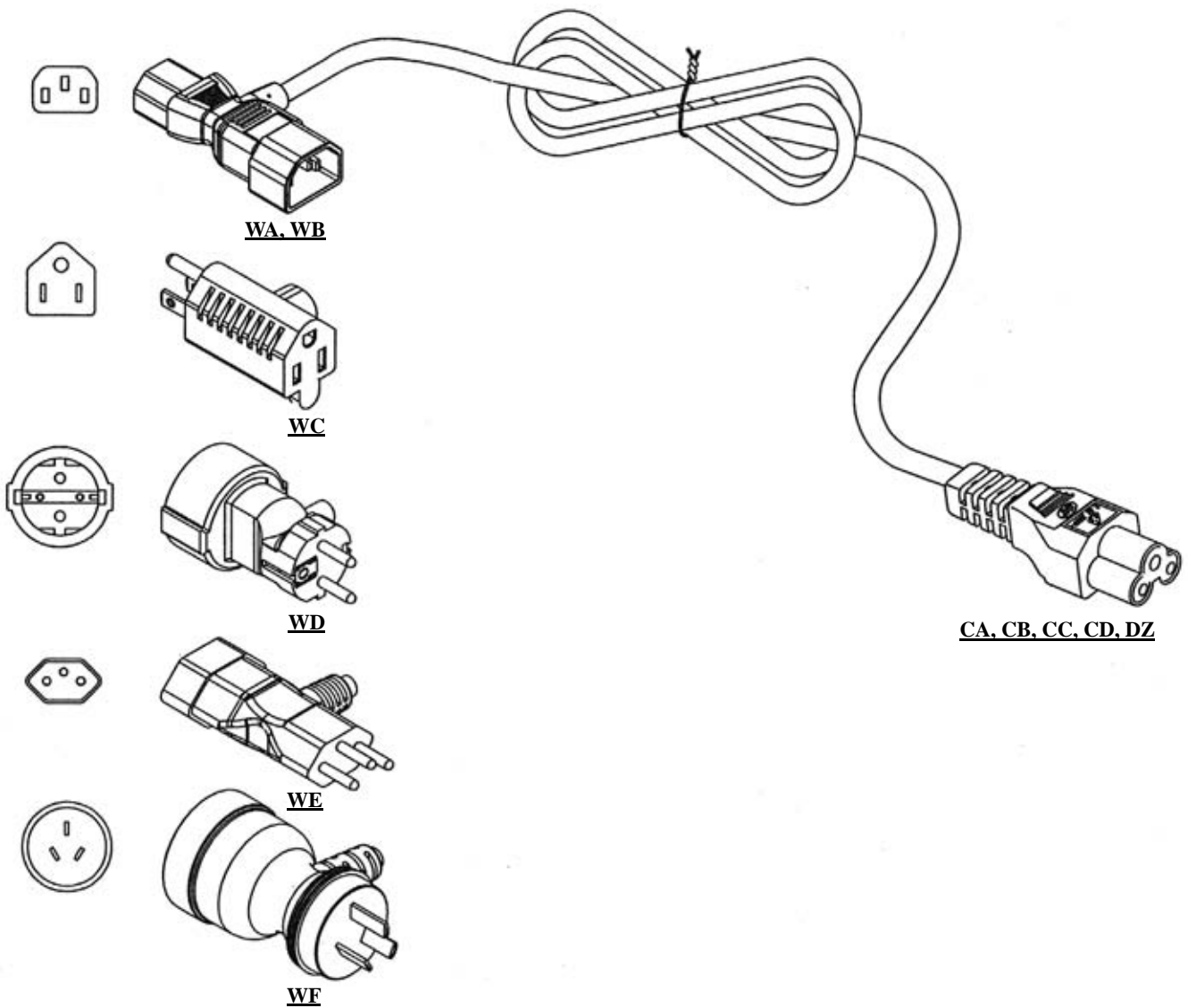
P/N K A C $\frac{x}{1} \frac{x}{2} \frac{YB}{3} / \frac{2D}{4} - \frac{x}{5} \frac{MB}{5}$

1. CORD TYPE:
"110" H05VV-F 3x0.75MMSQ
"111" H05VV-F 3x1.0MMSQ
2. CONNECTOR AT END 1:
"YB" IEC-320-C14 PLUG WITH
EUROPEAN APPROVAL
3. CONNECTOR AT END 2:
"2D" 2xIEC-320-C13 SOCKETS WITHOUT
EUROPEAN APPROVAL

4. LENGTH IN METERS:
1, 2, 3,...etc
5. CORD COLOR:
"B" BLACK

NOTE: CUSTOMER'S DESIGNS ARE WELCOME!

AC POWER CORDSET WITH PIGGYBACK PLUG TO IEC-320 C5 SOCKET



ORDERING INFORMATION:

P/N K A C $\frac{x x x x x}{1 \ 2} / \frac{x x}{3} - \frac{x x}{4} M \frac{B}{5}$

1. CORD TYPE:
101~~999

2. CONNECTOR AT END 1:

- "WA" IEC-320 C13 SOCKET TO C14 PLUG (UL)
- "WB" IEC-320 C13 SOCKET TO C14 PLUG (TÜV)
- "WC" NEMA 5-15R NORTH AMERICAN TYPE (UL+CSA)
- "WD" EUROPEAN TYPE PLUG TO SOCKET (VDE+CE)
- "WE" SWISS TYPE PLUG TO SOCKET (+S)
- "WF" AUSTRALIAN PLUG TO SOCKET (SAA)

3. CONNECTOR AT END 2:

- "CA" IEC-320-C5 SOCKET (UL+CSA)
- "CB" IEC-320-C5 SOCKET (INMETRO+UL)

"CC" IEC-320-C5 SOCKET (VDE)

"CD" IEC-320-C5 SOCKET (PSE)

"DZ" IEC-320-C5 SOCKET (BSI)

4. LENGTH IN METERS:

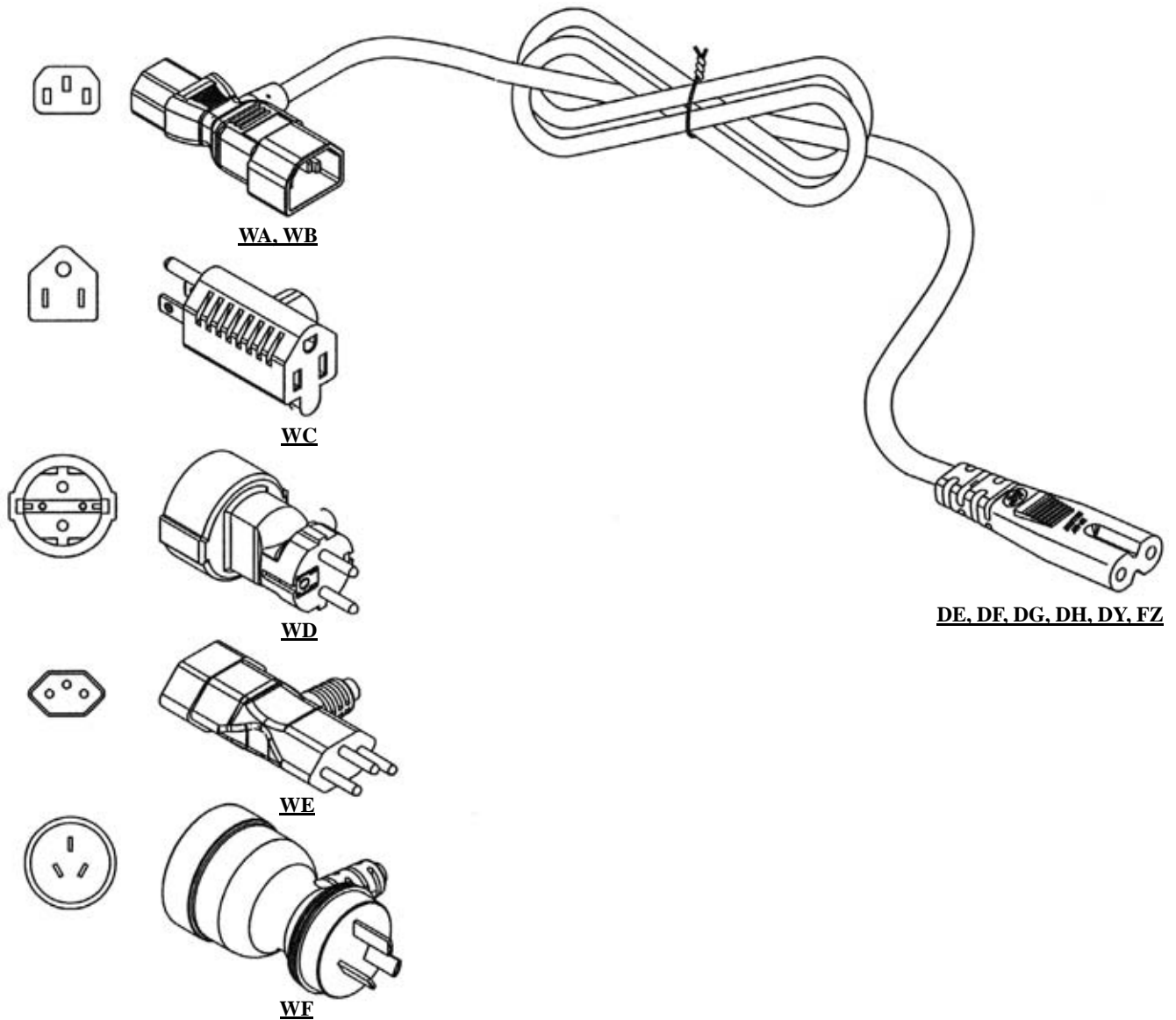
1, 2, 3,...etc

5. CORD COLOR:

"B" BLACK

NOTE: CUSTOMER'S DESIGNS ARE WELCOME!

AC POWER CORDSET WITH PIGGYBACK PLUG TO IEC-320 C7 SOCKET



ORDERING INFORMATION:

P/N K A C $\frac{x}{1} \frac{x}{2} \frac{x}{3} \frac{x}{4} \frac{x}{5} / \frac{x}{3} - \frac{x}{4} \frac{x}{5} M B$

1. CORD TYPE:
101~~999

2. CONNECTOR AT END 1:

- "WA" IEC-320 C13 SOCKET TO C14 PLUG (UL)
- "WB" IEC-320 C13 SOCKET TO C14 PLUG (TÜV)
- "WC" NEMA 5-15R NORTH AMERICAN TYPE (UL+CSA)
- "WD" EUROPEAN TYPE PLUG TO SOCKET (VDE+CE)
- "WE" SWISS TYPE PLUG TO SOCKET (+S)
- "WF" AUSTRALIAN PLUG TO SOCKET (SAA)

3. CONNECTOR AT END 2:

- "DE" IEC-320-C7 SOCKET (UL+CUL)
- "DF" IEC-320-C7 SOCKET (INMETRO+CUL)

"DG" IEC-320-C7 SOCKET (PSE)

"DH" IEC-320-C7 SOCKET (EUROPEAN APPROVAL)

"DY" IEC-320-C7 SOCKET (SAA)

"FZ" IEC-320-C7 SOCKET (BSI)

4. LENGTH IN METERS:

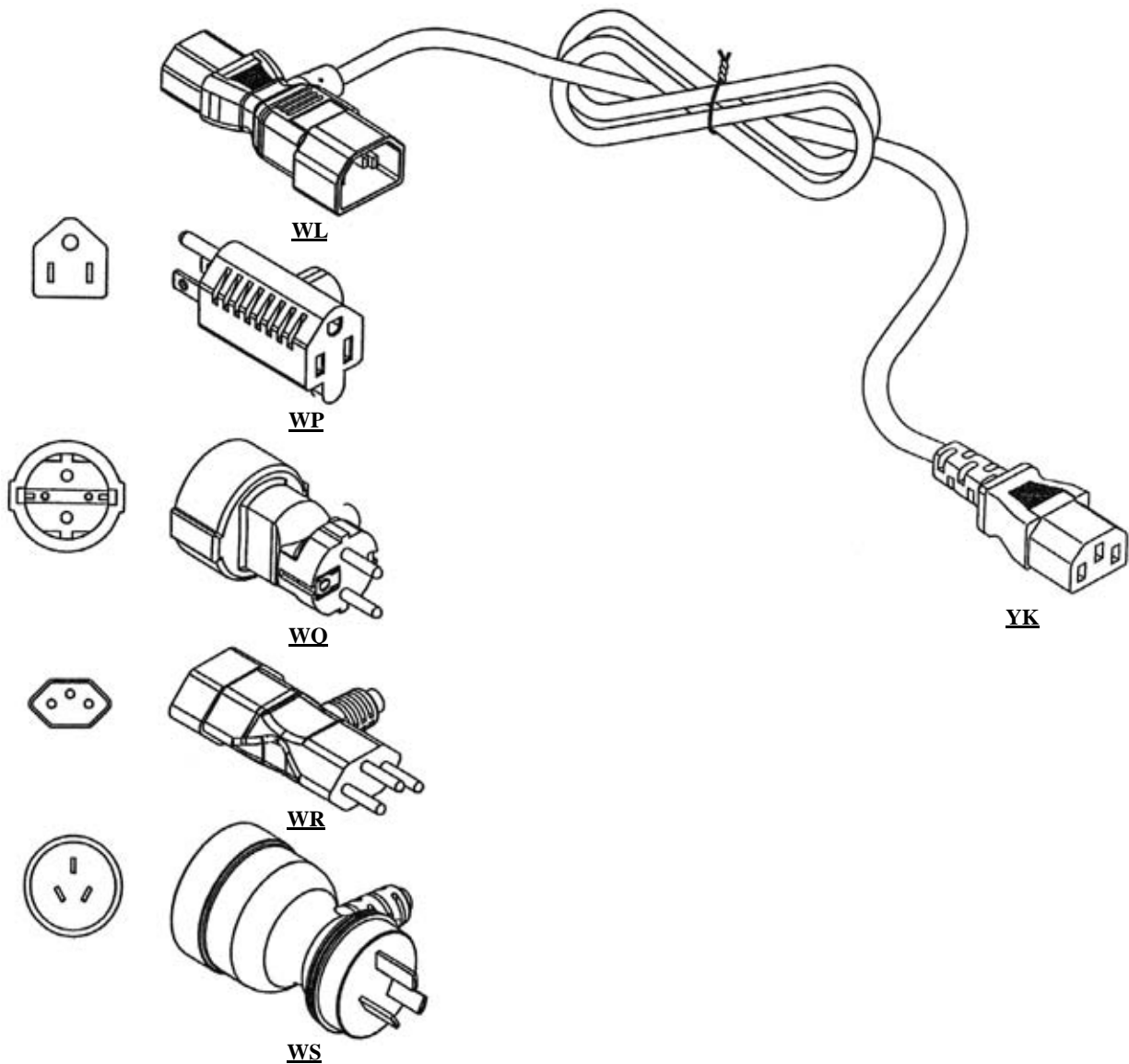
1, 2, 3,...etc

5. CORD COLOR:

"B" BLACK

NOTE: CUSTOMER'S DESIGNS ARE WELCOME!

AC POWER CORDSET WITH PIGGYBACK PLUG TO IEC-320 C13 SOCKET



ORDERING INFORMATION:

P/N K A C $\frac{x}{1} \frac{x}{2} \frac{x}{3} \frac{x}{4} \frac{x}{5} / \frac{x}{3} - \frac{x}{4} \frac{x}{5} M B$

1. CORD TYPE:
101~~999

2. CONNECTOR AT END 1:

"WL" IEC-320 C13 SOCKET TO C14 PLUG
W/O APPROVAL

"WP" NEMA 5-15R NORTH AMERICAN TYPE
W/O APPROVAL

"WQ" EUROPEAN TYPE PLUG TO SOCKET
W/O APPROVAL

"WR" SWISS TYPE PLUG TO SOCKET
W/O APPROVAL

"WS" AUSTRALIAN PLUG TO SOCKET
W/O APPROVAL

3. CONNECTOR AT END 2:

"YK" IEC-320-C13 SOCKET W/O APPROVAL

4. LENGTH IN METERS:

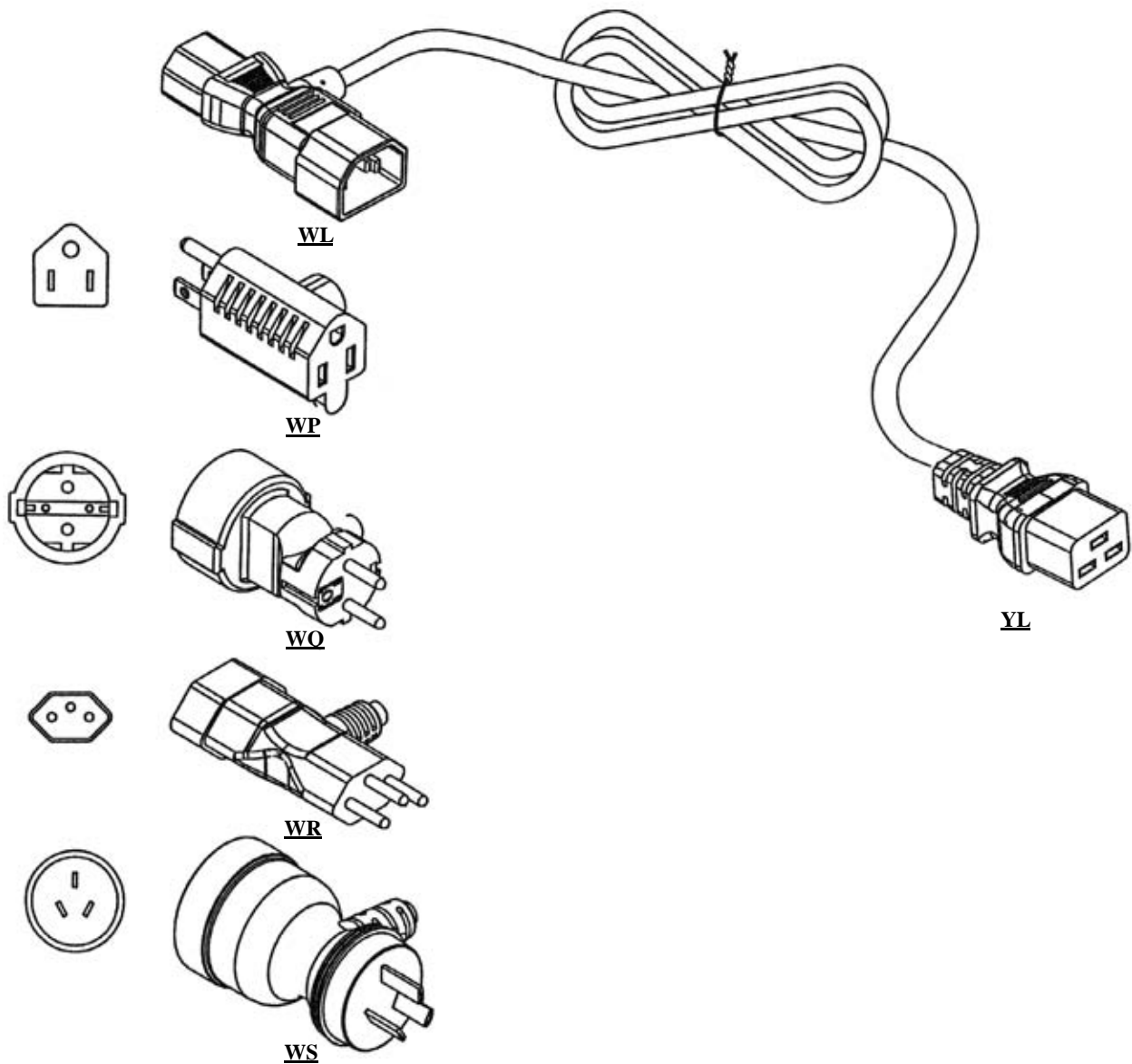
1, 2, 3,...etc

5. CORD COLOR:

"B" BLACK

NOTE: CUSTOMER'S DESIGNS ARE WELCOME!

AC POWER CORDSET WITH PIGGYBACK PLUG TO IEC-320 C19 SOCKET



ORDERING INFORMATION:

P/N K A C $\frac{x x x x x}{1 \ 2} / \frac{x x}{3} - \frac{x x}{4} M \frac{B}{5}$

1. CORD TYPE:
101~~999

2. CONNECTOR AT END 1:

"WL" IEC-320 C13 SOCKET TO C14 PLUG
W/O APPROVAL

"WP" NEMA 5-15R NORTH AMERICAN TYPE
W/O APPROVAL

"WQ" EUROPEAN TYPE PLUG TO SOCKET
W/O APPROVAL

"WR" SWISS TYPE PLUG TO SOCKET
W/O APPROVAL

"WS" AUSTRALIAN PLUG TO SOCKET
W/O APPROVAL

3. CONNECTOR AT END 2:

"YL" IEC-320-C19 SOCKET W/O APPROVAL

4. LENGTH IN METERS:

1, 2, 3,...etc

5. CORD COLOR:

"B" BLACK

NOTE: CUSTOMER'S DESIGNS ARE WELCOME!

