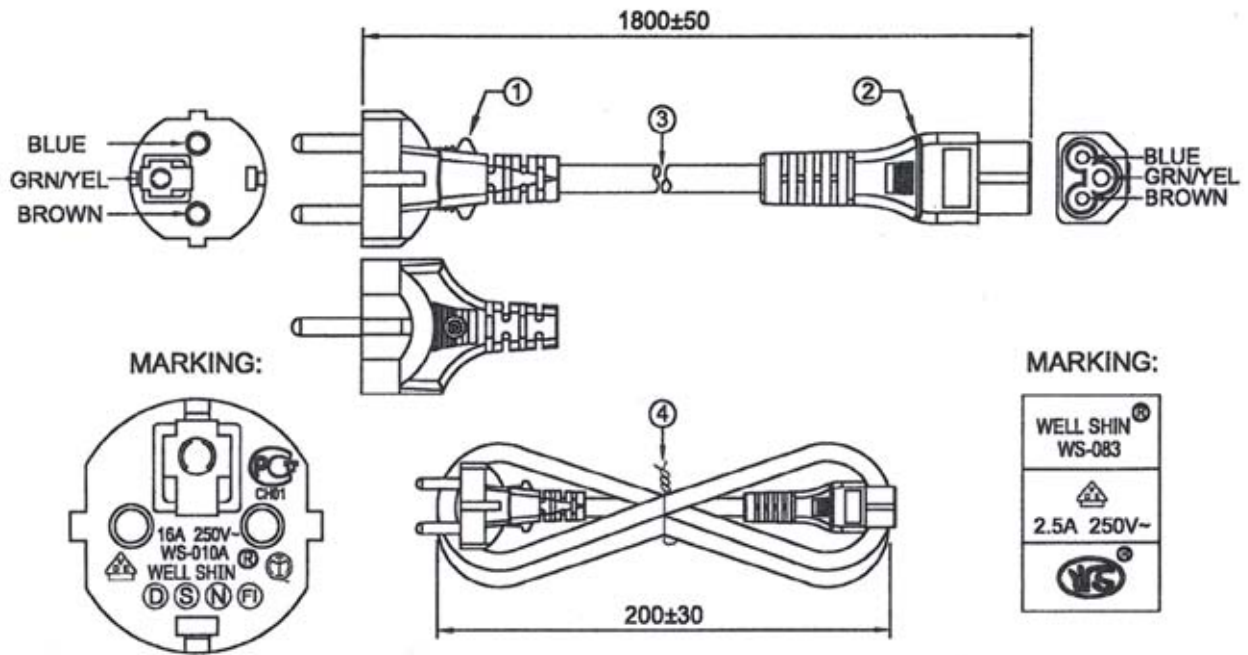


AC POWER CORDSET WITH EUROPEAN TYPE PLUG TO IEC-320-C5 SOCKET



KAC110EE/CC-1.8MB

ORDERING INFORMATION:

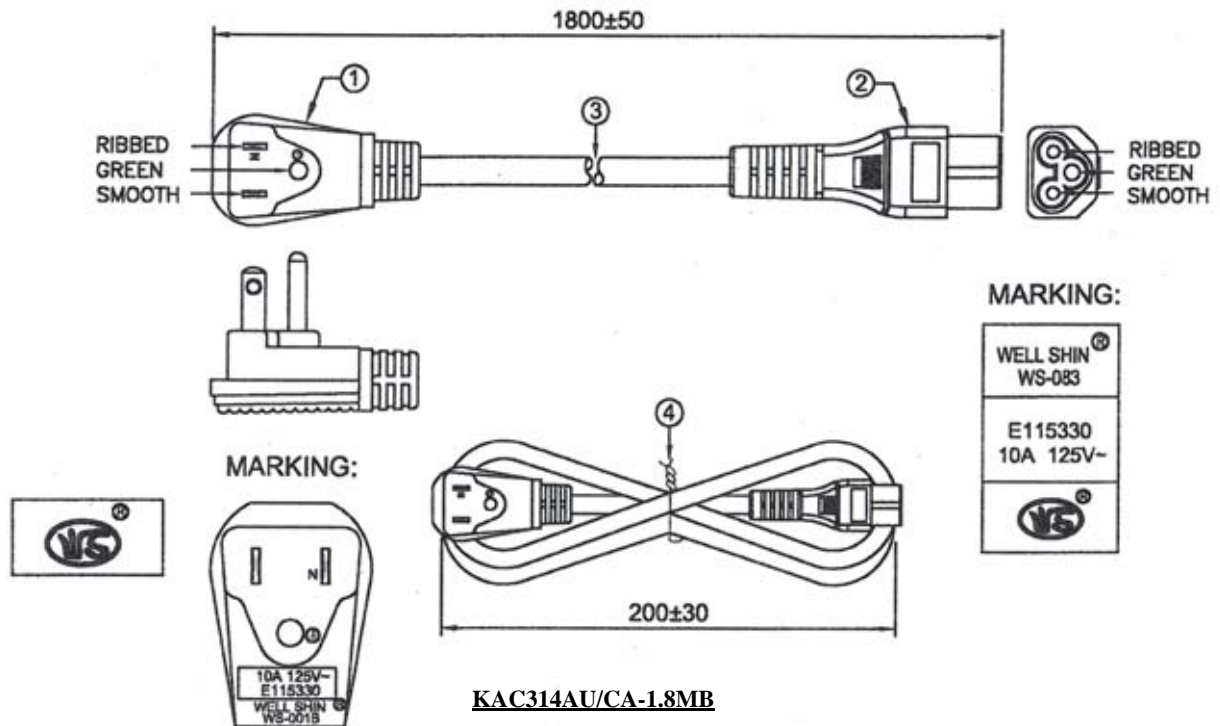
P/N K A C 1 1 0 E E / C C - x x M B

1. CORD TYPE:
"111" H05VV-F 3x1.0MMSQ
"110" H05VV-F 3x0.75MMSQ
2. CONNECTOR AT END 1:
"EE" EUROPEAN TYPE PLUG WITH EUROPEAN APPROVAL
3. CONNECTOR AT END 2:
"CC" IEC-320-C5 SOCKET WITH VDE APPROVAL

4. LENGTH IN METERS:
1, 2, 3,...etc
5. CORD COLOR:
"B" BLACK

NOTE: CUSTOMER'S DESIGNS ARE WELCOME!

**AC POWER CORDSET WITH NORTH AMERICAN TYPE PLUG
TO IEC-320 C5 SOCKET**



KAC314AU/CA-1.8MB

ORDERING INFORMATION:

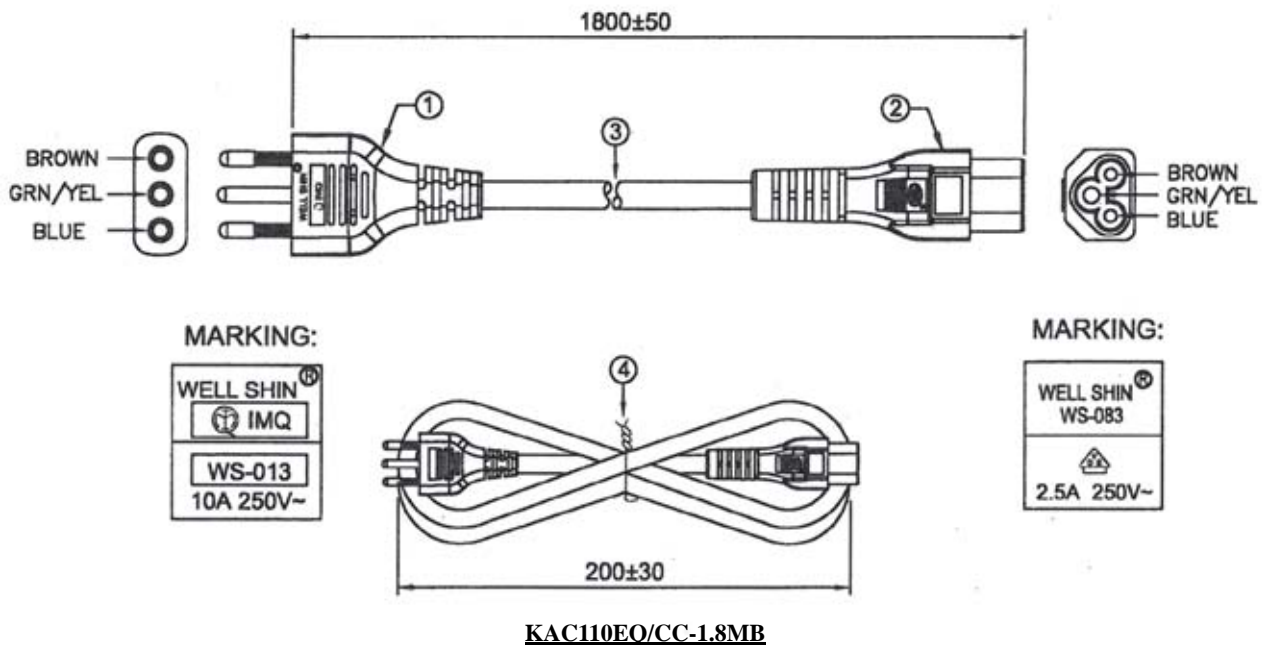
P/N KAC314AU / CA - xxMB

- 1. CORD TYPE:
"314" SJT 18AWG/3C
- 2. CONNECTOR AT END 1:
"AU" NORTH AMERICAN TYPE PLUG
WITH UL, CUL APPROVAL
- 3. CONNECTOR AT END 2:
"CA" IEC-320 C5 FEMALE CONNECTOR
WITH UL, CUL APPROVAL

- 4. LENGTH IN METERS:
1, 2, 3,...etc
- 5. CORD COLOR:
"B" BLACK

NOTE: CUSTOMER'S DESIGNS ARE WELCOME!

AC POWER CORDSET WITH ITALIAN TYPE PLUG TO IEC-320 C5 SOCKET



ORDERING INFORMATION:

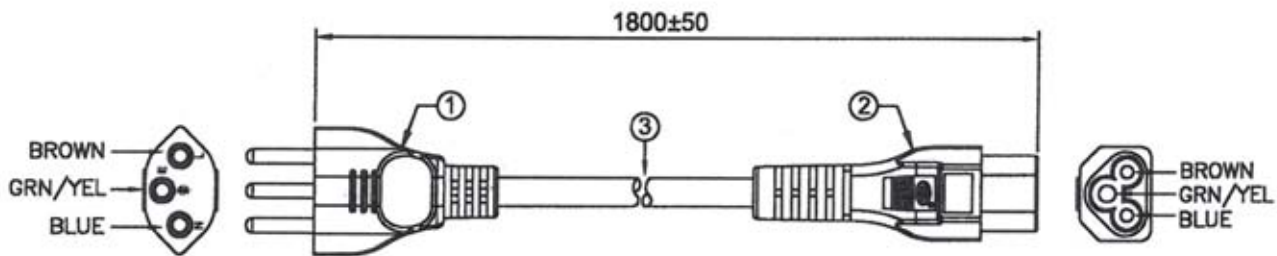
P/N K A C $\frac{x}{1} \frac{x}{2} \frac{x}{3} \frac{E}{4} \frac{Q}{5} / \frac{C}{3} \frac{C}{3} - \frac{x}{4} \frac{x}{5} \frac{M}{4} \frac{B}{5}$

1. CORD TYPE:
"110" H05VV-F 3x0.75MMSQ
"111" H05VV-F 3x1.0MMSQ
2. CONNECTOR AT END 1:
"EQ" ITALIAN TYPE PLUG WITH
IMQ APPROVAL
3. CONNECTOR AT END 2:
"CC" IEC-320 C5 FEMALE CONNECTOR
WITH VDE APPROVAL

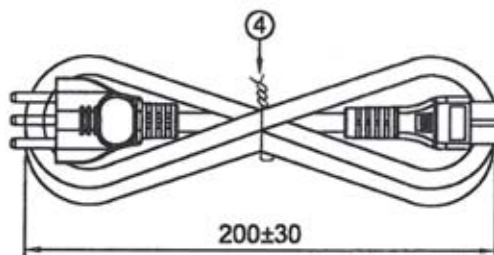
4. LENGTH IN METERS:
1, 2, 3,...etc
5. CORD COLOR:
"B" BLACK

NOTE: CUSTOMER'S DESIGNS ARE WELCOME!

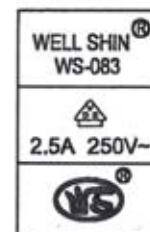
AC POWER CORDSET WITH SWISS TYPE PLUG TO IEC-320 C5 SOCKET



MARKING:



MARKING:



KAC110EN/CC-1.8MB

ORDERING INFORMATION:

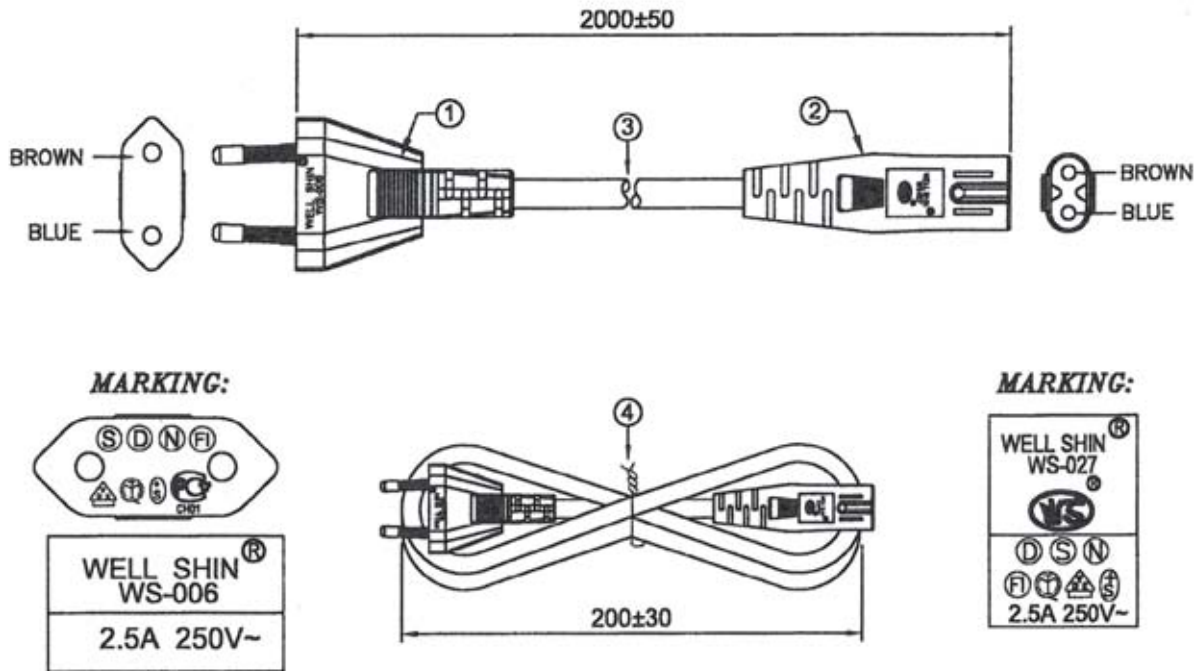
P/N K A C $\frac{x}{1}$ $\frac{x}{2}$ E N / $\frac{C}{3}$ C - $\frac{x}{4}$ $\frac{x}{5}$ M B

- CORD TYPE:
"110" H05VV-F 3x0.75MMSQ
"111" H05VV-F 3x1.0MMSQ
- CONNECTOR AT END 1:
"EN" SWISS TYPE PLUG WITH
SEV APPROVAL
- CONNECTOR AT END 2:
"CC" IEC-320 C5 FEMALE CONNECTOR
WITH VDE APPROVAL

- LENGTH IN METERS:
1, 2, 3,...etc
- CORD COLOR:
"B" BLACK

NOTE: CUSTOMER'S DESIGNS ARE WELCOME!

AC POWER CORDSET WITH EUROPEAN TYPE PLUG TO IEC-320-C7 SOCKET



KAC106EA/DH-2MB

ORDERING INFORMATION:

P/N K A C 1 0 6 E A / D H - x x M B

1. CORD TYPE:

"106" H03VVH2-F 2x0.75MMSQ
 "113" H05VVH2-F 2x0.75MMSQ

2. CONNECTOR AT END 1:

"EA" EUROPEAN TYPE PLUG
 WITH EUROPEAN APPROVAL

3. CONNECTOR AT END 2:

"DH" IEC-320-C7 SOCKET
 WITH EUROPEAN APPROVAL

4. LENGTH IN METERS:

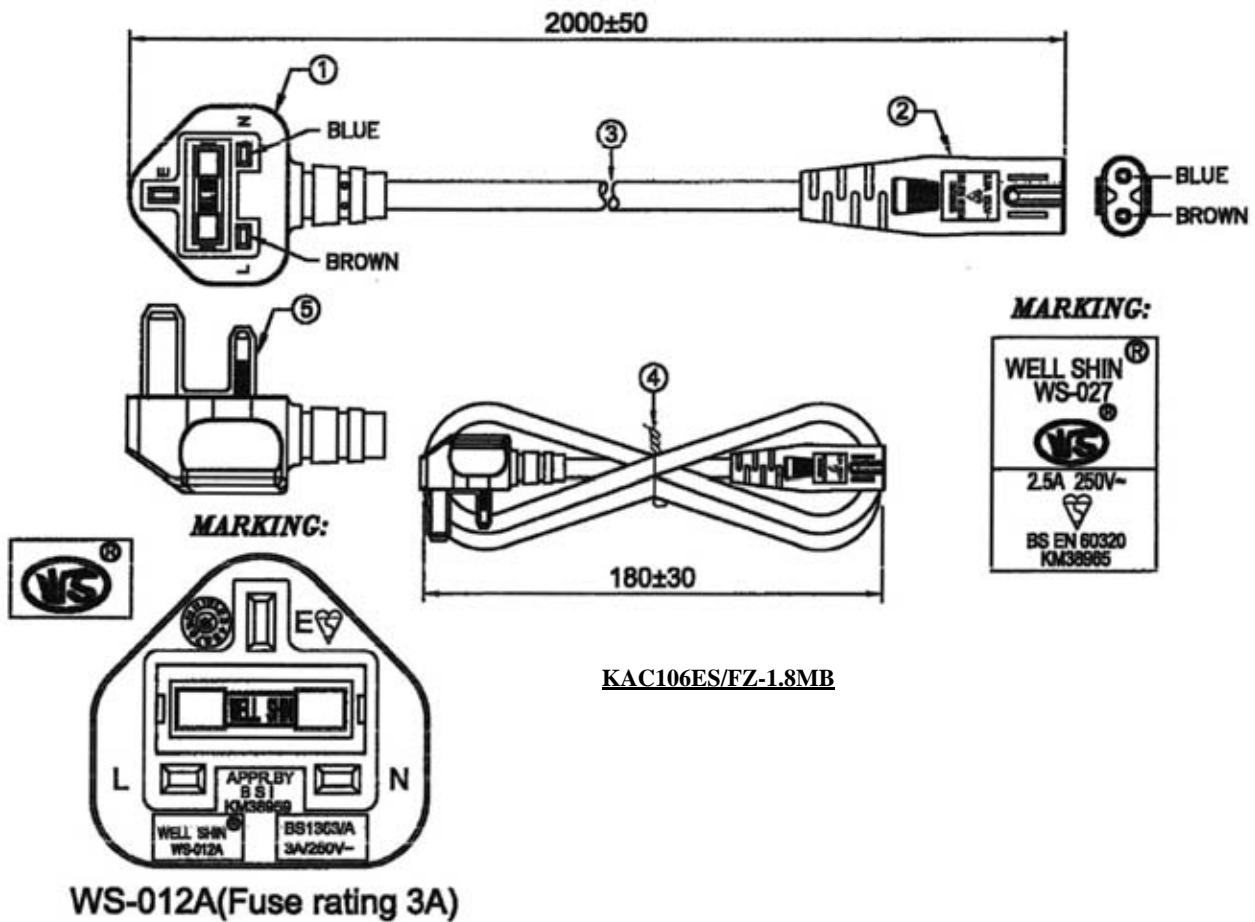
1, 2, 3,...etc

5. CORD COLOR:

"B" BLACK

NOTE: CUSTOMER'S DESIGNS ARE WELCOME!

**AC POWER CORDSET WITH BRITISH TYPE PLUG
TO IEC-320 C7 SOCKET**



ORDERING INFORMATION:

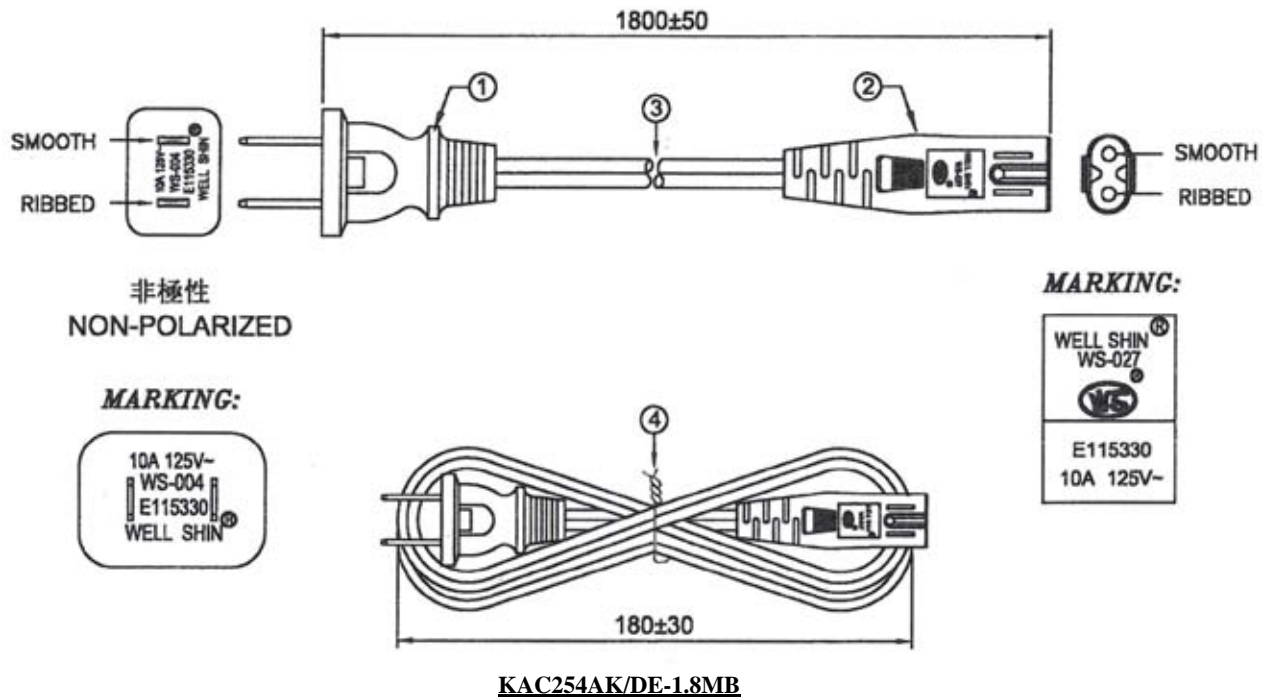
P/N K A C xxx ES / FZ - xx MB
1 2 3 4 5

- 1. CORD TYPE:
"106" H03VVH2-F 2x0.75MMSQ
"113" H05VVH2-F 2x0.75MMSQ
- 2. CONNECTOR AT END 1:
"ES" BRITISH TYPE PLUG WITH
BSI APPROVAL
- 3. CONNECTOR AT END 2:
"FZ" IEC-320 C7 FEMALE CONNECTOR
WITH BSI APPROVAL

- 4. LENGTH IN METERS:
1, 2, 3,...etc
- 5. CORD COLOR:
"B" BLACK

NOTE: CUSTOMER'S DESIGNS ARE WELCOME!

AC POWER CORDSET WITH NORTH AMERICAN TYPE PLUG TO IEC-320 C7 SOCKET



ORDERING INFORMATION:

P/N K A C $\frac{x}{1} \frac{x}{2} \frac{x}{3} \frac{A}{4} \frac{K}{5} / \frac{D}{3} \frac{E}{3} - \frac{x}{4} \frac{x}{5} \frac{M}{4} \frac{B}{5}$

1. CORD TYPE:

- "253" SPT-1 18AWG/2C
- "254" SPT-2 18AWG/2C

2. CONNECTOR AT END 1:

- "AK" NORTH AMERICAN TYPE PLUG
WITH UL, CUL APPROVAL

3. CONNECTOR AT END 2:

- "DE" IEC-320 C7 FEMALE CONNECTOR
WITH UL, CUL APPROVAL

4. LENGTH IN METERS:

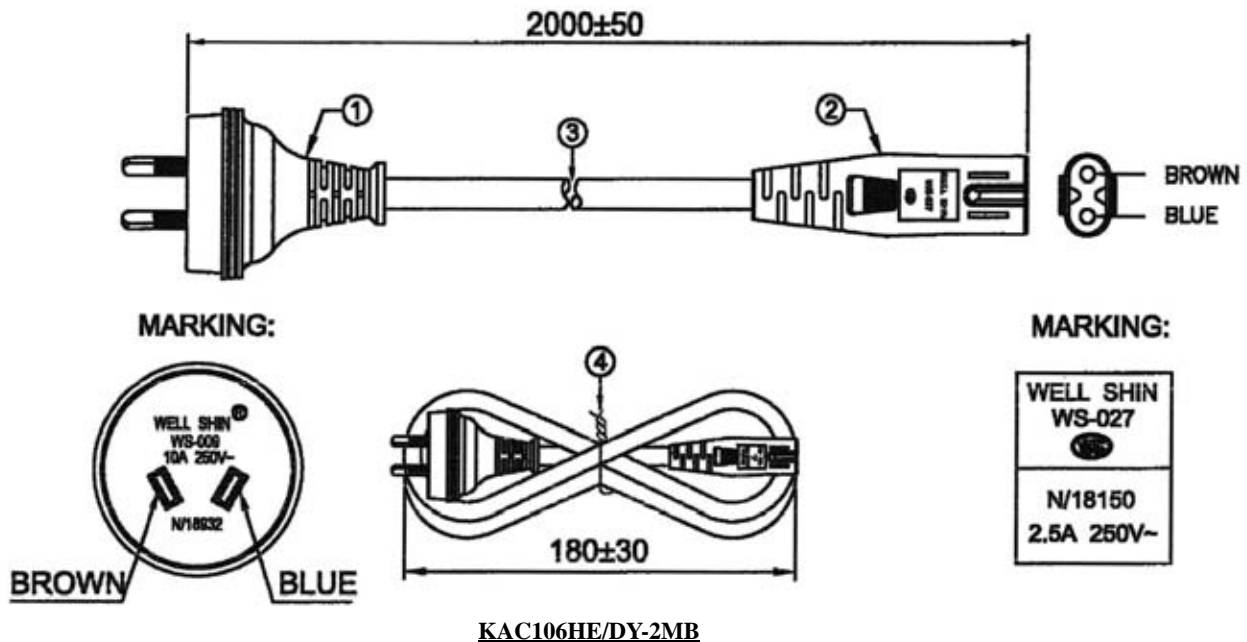
- 1, 2, 3,...etc

5. CORD COLOR:

- "B" BLACK

NOTE: CUSTOMER'S DESIGNS ARE WELCOME!

**AC POWER CORDSET WITH AUSTRALIAN TYPE PLUG
TO IEC-320 C7 SOCKET**



ORDERING INFORMATION:

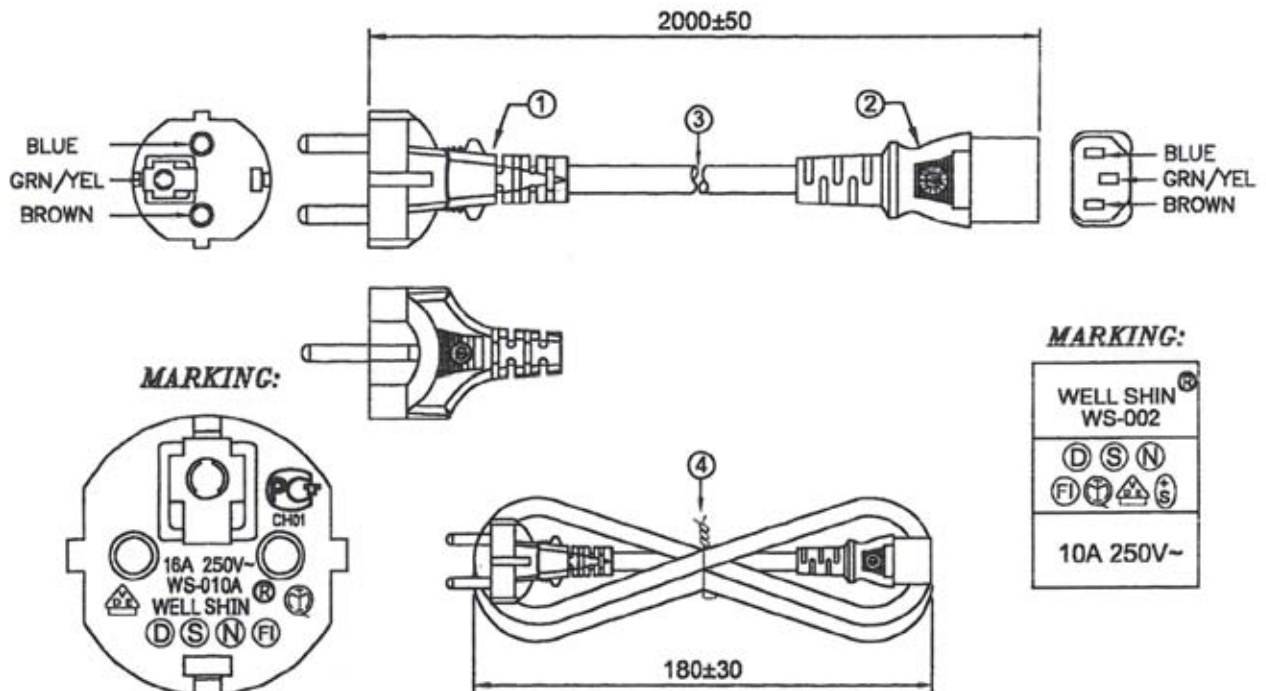
P/N K A C $\frac{x}{1} \frac{x}{2} \frac{x}{3} \frac{H}{4} \frac{E}{5} / \frac{D}{3} \frac{Y}{4} - \frac{x}{4} \frac{x}{5} \frac{M}{4} \frac{B}{5}$

1. CORD TYPE:
"106" H03VVH2-F 2x0.75MMSQ
"113" H05VVH2-F 2x0.75MMSQ
2. CONNECTOR AT END 1:
"HE" AUSTRALIAN TYPE PLUG
WITH SAA APPROVAL
3. CONNECTOR AT END 2:
"DY" IEC-320 C7 FEMALE CONNECTOR
WITH SAA APPROVAL

4. LENGTH IN METERS:
1, 2, 3,...etc
5. CORD COLOR:
"B" BLACK

NOTE: CUSTOMER'S DESIGNS ARE WELCOME!

**AC POWER CORDSET WITH EUROPEAN TYPE PLUG
TO IEC-320 C13 SOCKET**



KAC111EE/CN-2.0MB

ORDERING INFORMATION:

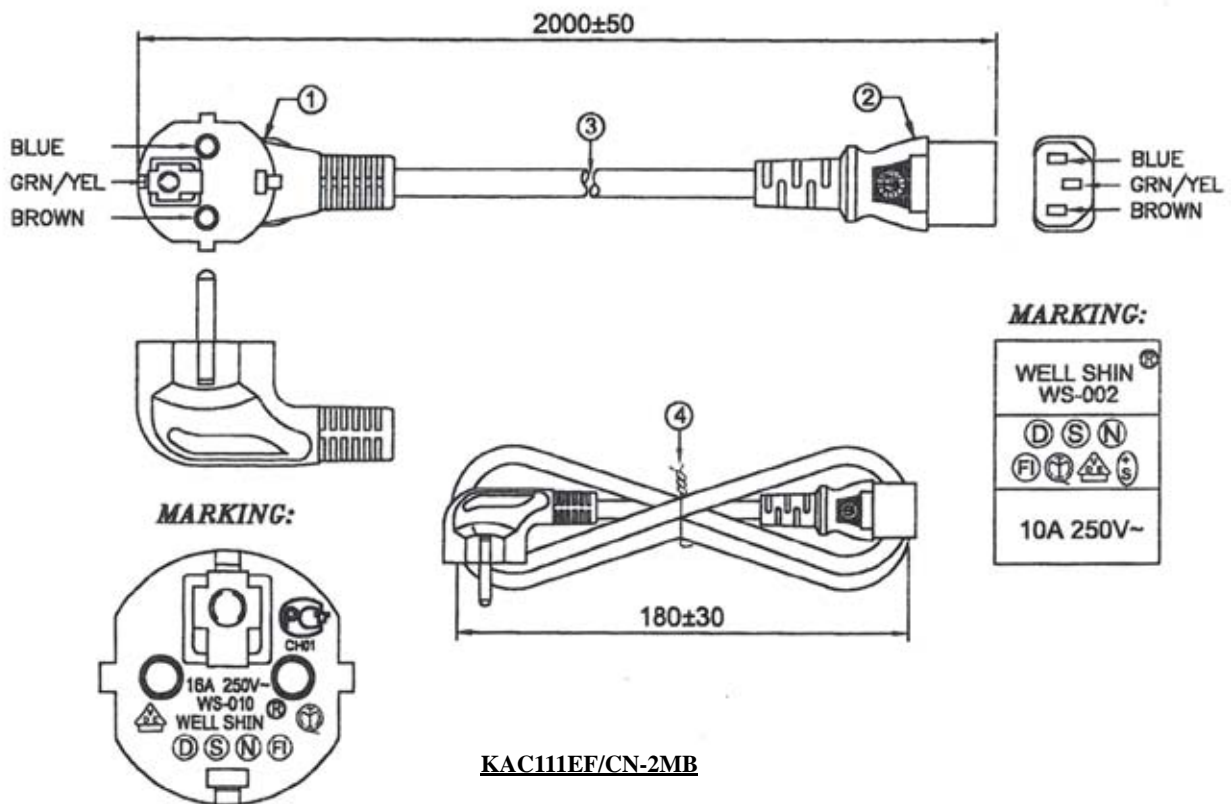
P/N K A C $\frac{x}{1} \frac{x}{2} \frac{x}{3} \frac{E}{4} \frac{E}{5} / \frac{C}{3} \frac{N}{4} - \frac{x}{4} \frac{x}{5} \frac{M}{4} \frac{B}{5}$

1. CORD TYPE:
"110" H05VV-F 3x0.75MMSQ
"111" H05VV-F 3x1.0MMSQ
2. CONNECTOR AT END 1:
"EE" EUROPEAN TYPE PLUG WITH EUROPEAN APPROVAL
3. CONNECTOR AT END 2:
"CN" IEC-320 C13 FEMALE CONNECTOR WITH EUROPEAN APPROVAL

4. LENGTH IN METERS:
1, 2, 3,...etc
5. CORD COLOR:
"B" BLACK

NOTE: CUSTOMER'S DESIGNS ARE WELCOME!

AC POWER CORDSET WITH EUROPEAN R/A TYPE PLUG TO IEC-320-C13 SOCKET



ORDERING INFORMATION:

P/N K A C 111 EF / CN - xx M B

1. CORD TYPE:

"110" H05VV-F 3x0.75MMSQ
"111" H05VV-F 3x1.0MMSQ

2. CONNECTOR AT END 1:

"EF" EUROPEAN R/A TYPE PLUG
WITH EUROPEAN APPROVAL

3. CONNECTOR AT END 2:

"CN" IEC-320-C13 SOCKET WITH
EUROPEAN APPROVAL

4. LENGTH IN METERS:

1, 2, 3,...etc

5. CORD COLOR:

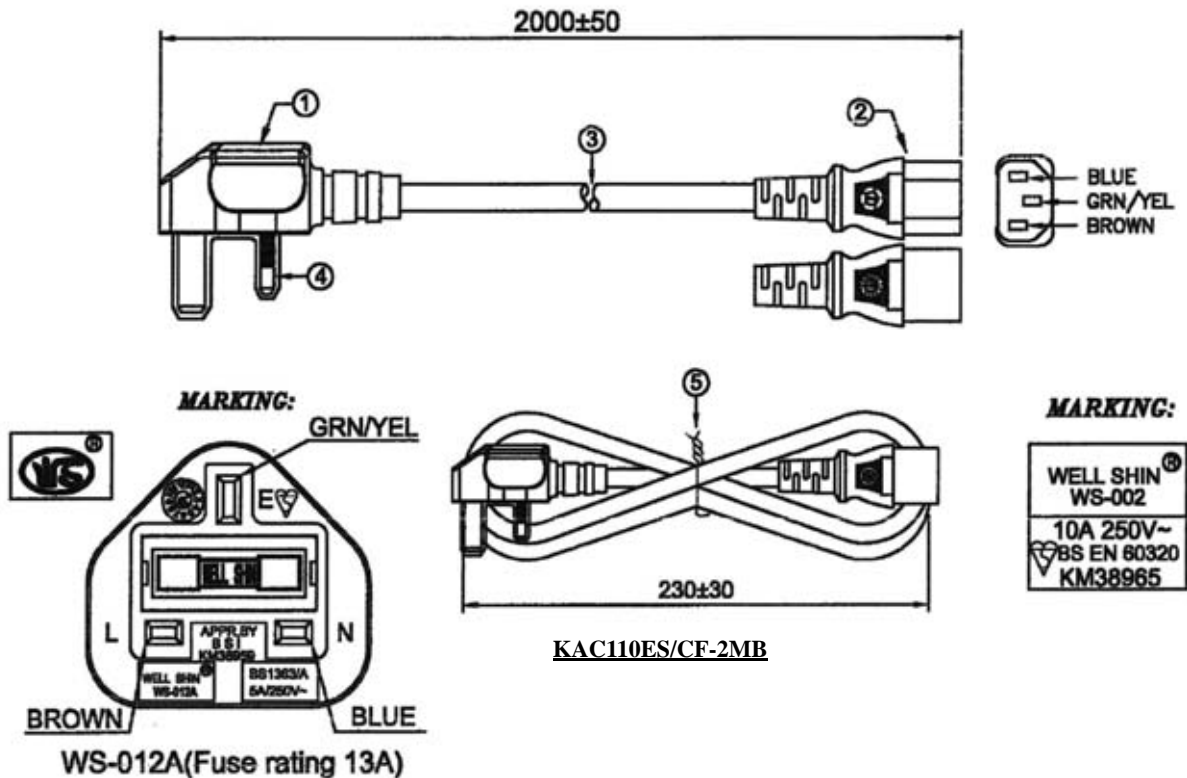
"B" BLACK

"A" GRAY

"O" ORANGE

NOTE: CUSTOMER'S DESIGNS ARE WELCOME!

**AC POWER CORDSET WITH BRITISH TYPE PLUG
TO IEC-320 C13 SOCKET**



ORDERING INFORMATION:

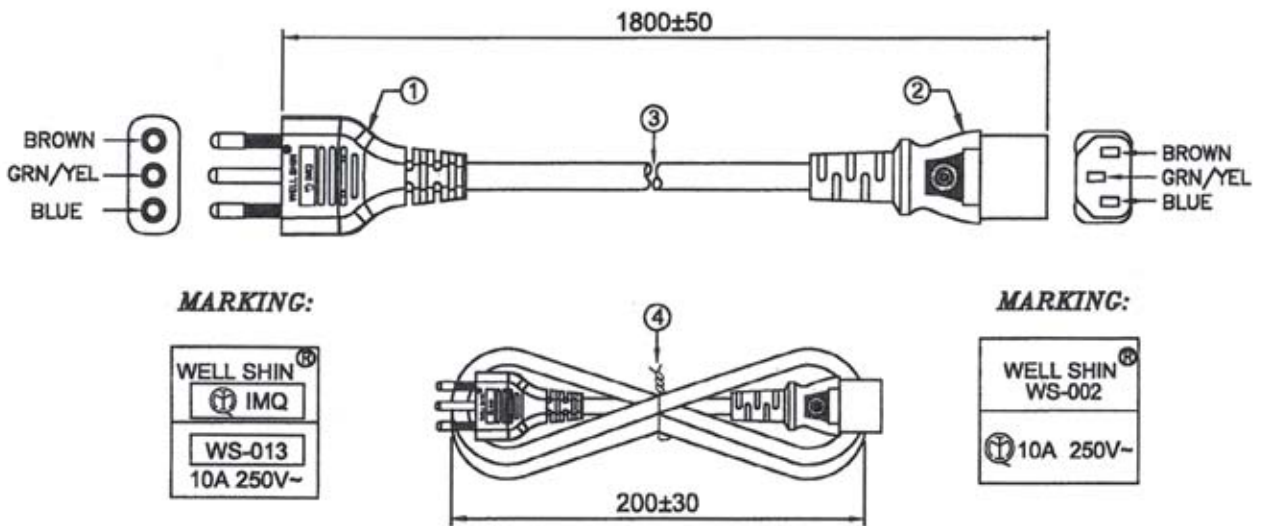
P/N K A C $\frac{x}{1}$ $\frac{x}{2}$ $\frac{x}{3}$ E S / C F - $\frac{x}{4}$ $\frac{x}{5}$ M B

- 1. CORD TYPE:
"110" H05VV-F 3x0.75MMSQ
"111" H05VV-F 3x1.0MMSQ
"112" H05VV-F 3x1.5MMSQ
- 2. CONNECTOR AT END 1:
"ES" BRITISH TYPE PLUG WITH
BSI APPROVAL
- 3. CONNECTOR AT END 2:
"CF" IEC-320 C13 FEMALE CONNECTOR
WITH BSI APPROVAL

- 4. LENGTH IN METERS:
1, 2, 3,...etc
- 5. CORD COLOR:
"B" BLACK

NOTE: CUSTOMER'S DESIGNS ARE WELCOME!

**AC POWER CORDSET WITH ITALIAN TYPE PLUG
TO IEC-320 C13 SOCKET**



KAC110EQ/BZ-1.8MB

ORDERING INFORMATION:

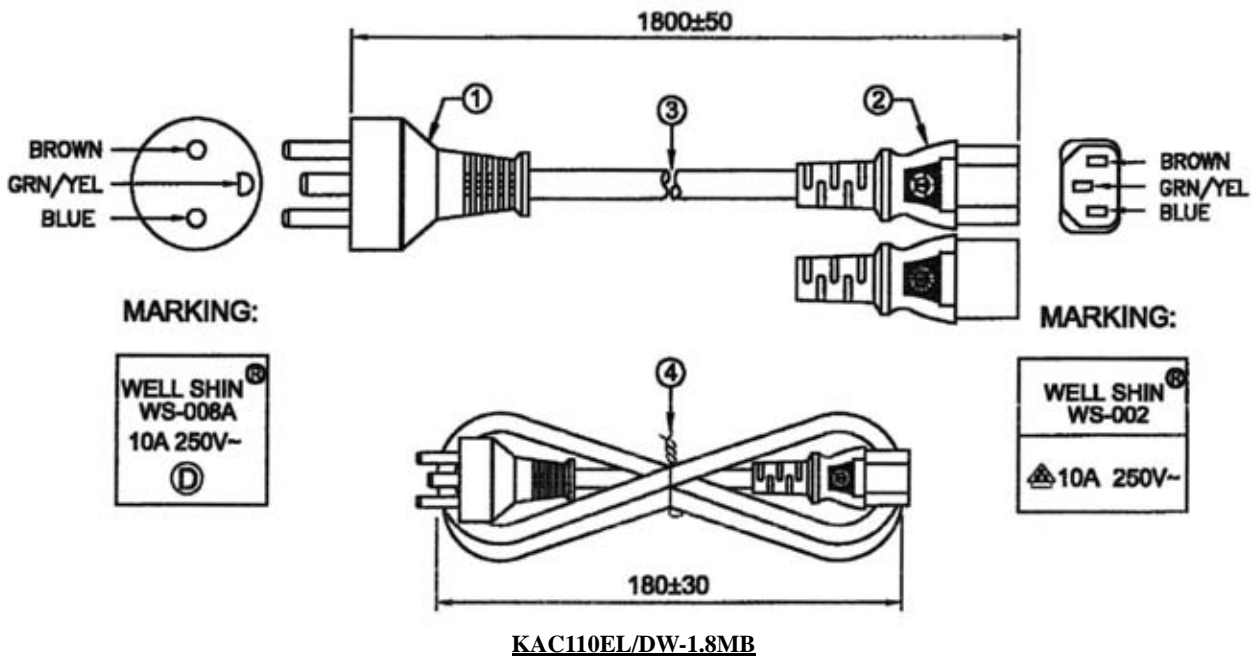
P/N K A C $\frac{x}{1} \frac{x}{2} \frac{x}{3} \frac{E}{3} \frac{Q}{2} / \frac{B}{3} \frac{Z}{2} - \frac{x}{4} \frac{x}{5} \frac{M}{4} \frac{B}{5}$

1. CORD TYPE:
"110" H05VV-F 3x0.75MMSQ
"111" H05VV-F 3x1.0MMSQ
2. CONNECTOR AT END 1:
"EQ" ITALIAN TYPE PLUG WITH
IMQ APPROVAL
3. CONNECTOR AT END 2:
"BZ" IEC-320 C13 FEMALE CONNECTOR
WITH IMQ APPROVAL

4. LENGTH IN METERS:
1, 2, 3,...etc
5. CORD COLOR:
"B" BLACK

NOTE: CUSTOMER'S DESIGNS ARE WELCOME!

**AC POWER CORDSET WITH DANISH TYPE PLUG
TO IEC-320 C13 SOCKET**



ORDERING INFORMATION:

P/N K A C $\frac{x}{1} \frac{x}{2} \frac{x}{3}$ E L / D W - $\frac{x}{4} \frac{x}{5}$ M B

1. CORD TYPE:

- "110" H05VV-F 3x0.75MMSQ
- "111" H05VV-F 3x1.0MMSQ

2. CONNECTOR AT END 1:

- "EL" DANISH TYPE PLUG WITH DEMKO APPROVAL

3. CONNECTOR AT END 2:

- "DW" IEC-320 C13 FEMALE CONNECTOR WITH VDE APPROVAL

4. LENGTH IN METERS:

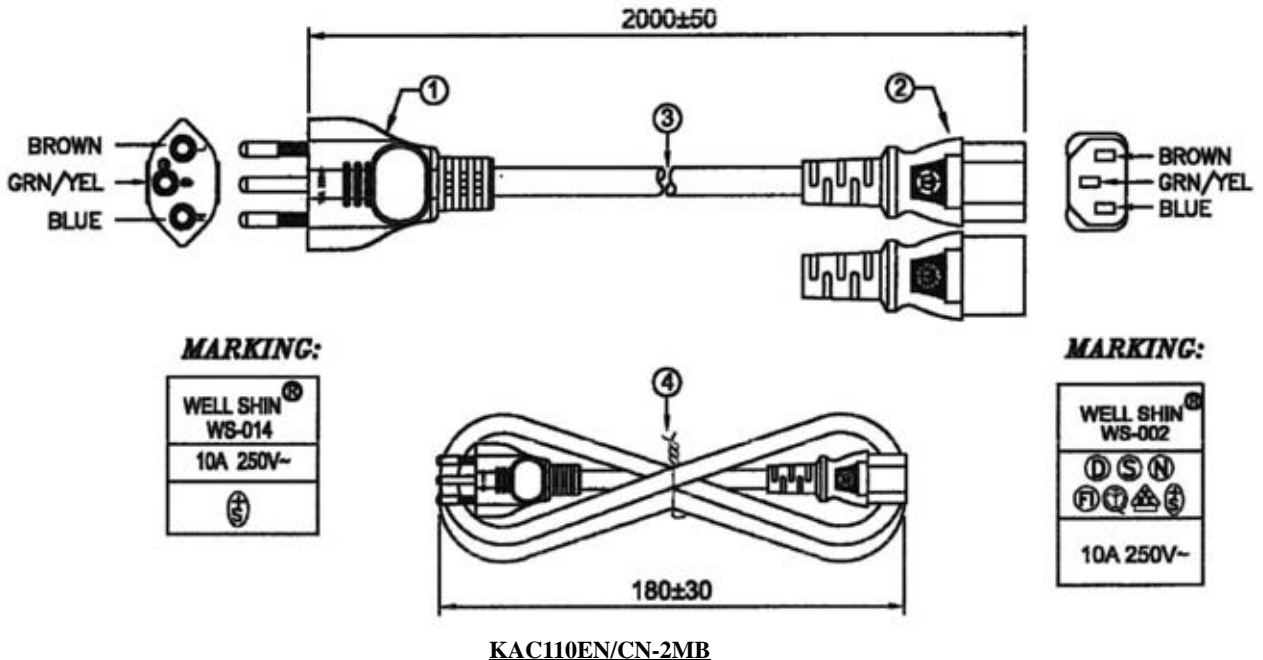
- 1, 2, 3,...etc

5. CORD COLOR:

- "B" BLACK

NOTE: CUSTOMER'S DESIGNS ARE WELCOME!

**AC POWER CORDSET WITH SWISS TYPE PLUG
TO IEC-320 C13 SOCKET**



ORDERING INFORMATION:

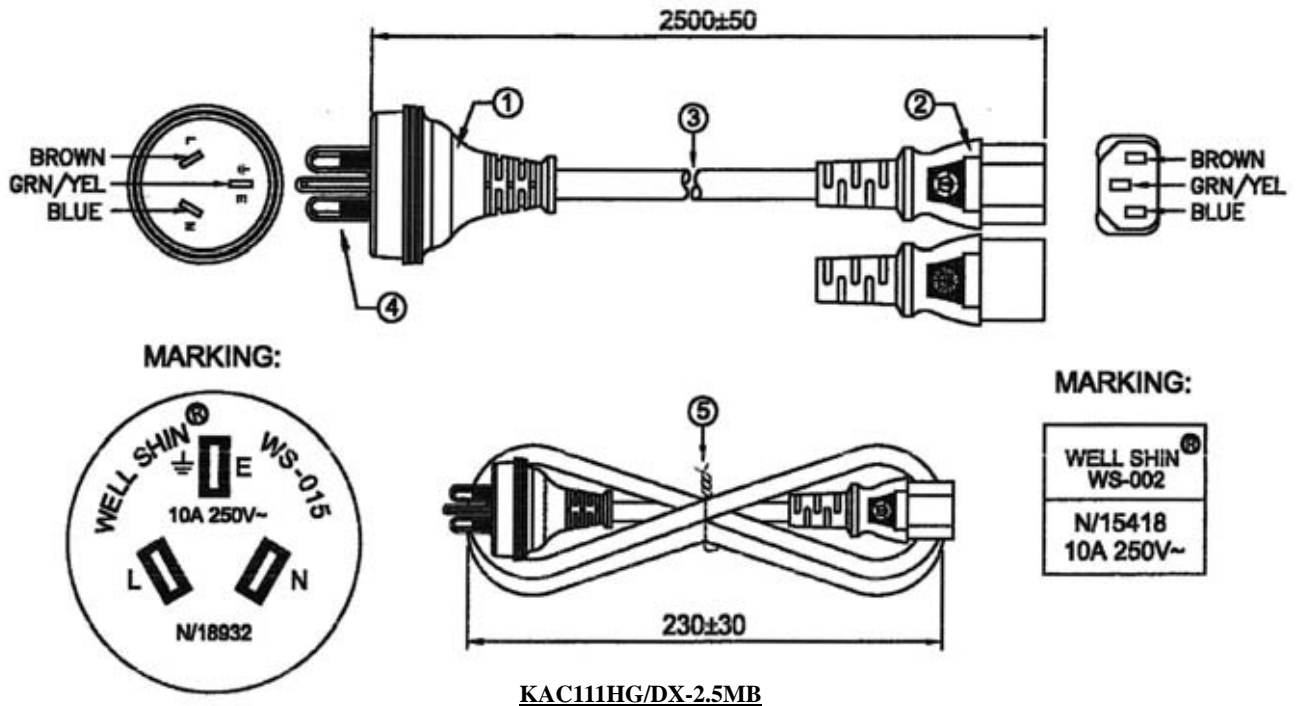
P/N K A C $\frac{x}{1}$ $\frac{x}{2}$ E N / C N - $\frac{x}{4}$ $\frac{x}{5}$ M B

- CORD TYPE:
"110" H05VV-F 3x0.75MMSQ
"111" H05VV-F 3x1.0MMSQ
- CONNECTOR AT END 1:
"EN" SWISS TYPE PLUG WITH
SEV APPROVAL
- CONNECTOR AT END 2:
"CN" IEC-320 C13 FEMALE CONNECTOR
WITH EUROPEAN APPROVAL

- LENGTH IN METERS:
1, 2, 3,...etc
- CORD COLOR:
"B" BLACK

NOTE: CUSTOMER'S DESIGNS ARE WELCOME!

**AC POWER CORDSET WITH AUSTRALIAN TYPE PLUG
TO IEC-320 C13 SOCKET**



ORDERING INFORMATION:

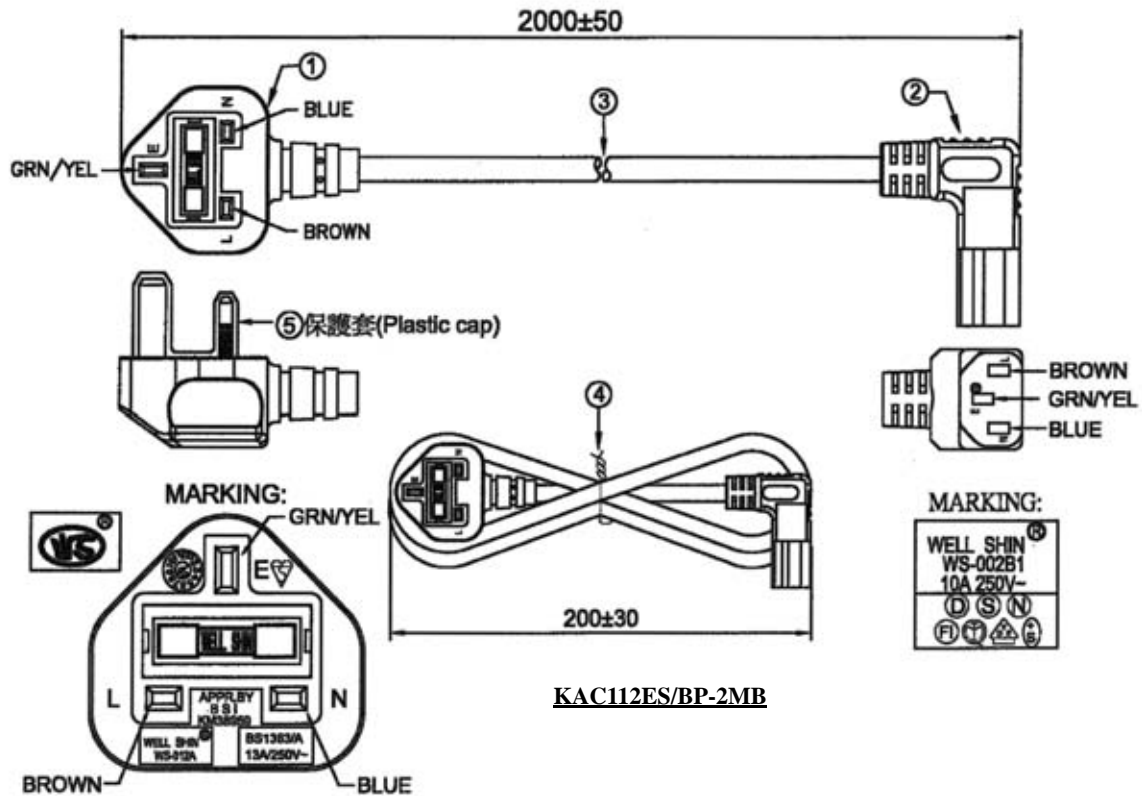
P/N K A C $\frac{x}{1} \frac{x}{2} \frac{H}{3} \frac{G}{4} / \frac{D}{5} \frac{X}{6} - \frac{x}{7} \frac{x}{8} \frac{M}{9} \frac{B}{10}$

1. CORD TYPE:
"110" H05VV-F 3x0.75MMSQ
"111" H05VV-F 3x1.00MMSQ
2. CONNECTOR AT END 1:
"HG" AUSTRALIAN TYPE PLUG
WITH SAA APPROVAL
3. CONNECTOR AT END 2:
"DX" IEC-320 C13 FEMALE CONNECTOR
WITH SAA APPROVAL

4. LENGTH IN METERS:
1, 2, 3,...etc
5. CORD COLOR:
"B" BLACK

NOTE: CUSTOMER'S DESIGNS ARE WELCOME!

AC POWER CORDSET WITH UK TYPE PLUG TO IEC-320 C13 R/A SOCKET



ORDERING INFORMATION:

P/N **KAC** $\frac{\underline{x} \underline{x} \underline{x}}{1 \ 2}$ **ES** / $\frac{\underline{B} \underline{P}}{3}$ - $\frac{\underline{x} \underline{x}}{4}$ **MB** $\frac{\underline{5}}{5}$

1. CORD TYPE:

- "110" H05VV-F 3x0.75MMSQ
- "111" H05VV-F 3x1.0MMSQ
- "112" H05VV-F 3x1.5MMSQ

2. CONNECTOR AT END 1:

"ES" UK TYPE PLUG WITH APPROVAL BSI

3. CONNECTOR AT END 2:

"BP" IEC-320 C13 R/A SOCKET
WITH EUROPEAN APPROVAL

4. LENGTH IN METERS:

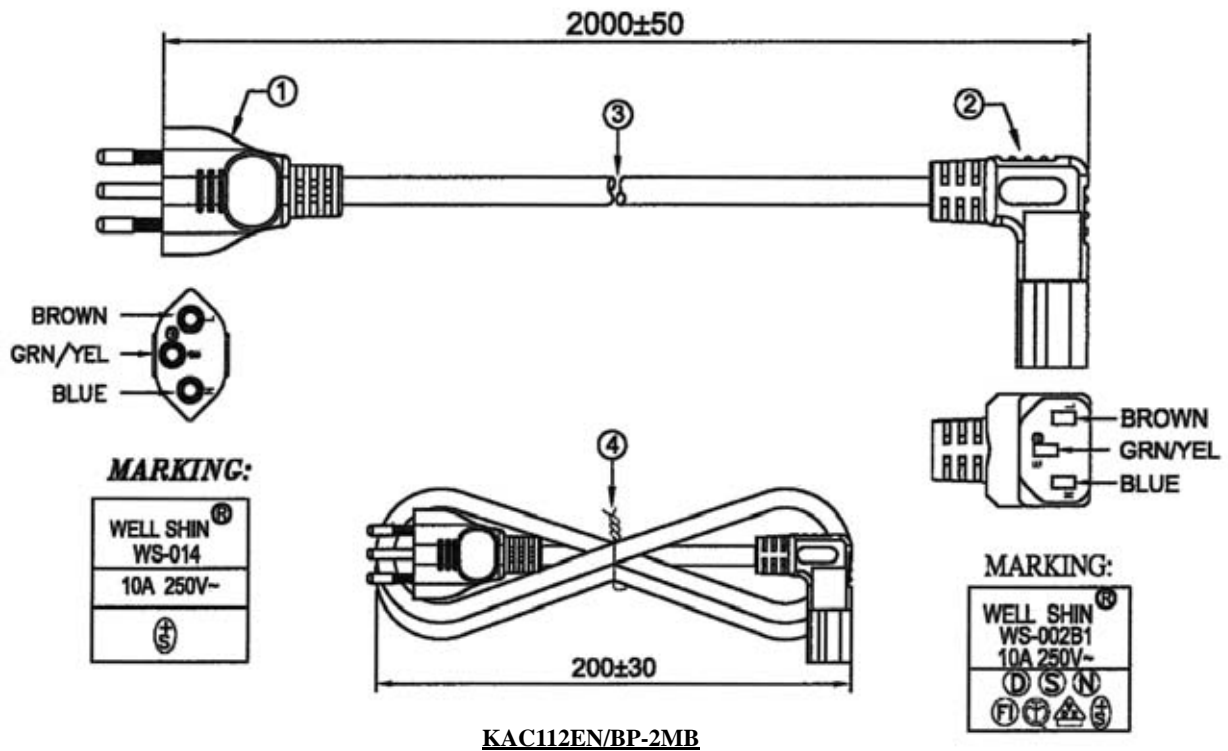
1, 2, 3,...etc

5. CORD COLOR:

"B" BLACK

NOTE: CUSTOMER'S DESIGNS ARE WELCOME!

AC POWER CORDSET WITH SWISS TYPE PLUG TO IEC-320 C13 R/A SOCKET



ORDERING INFORMATION:

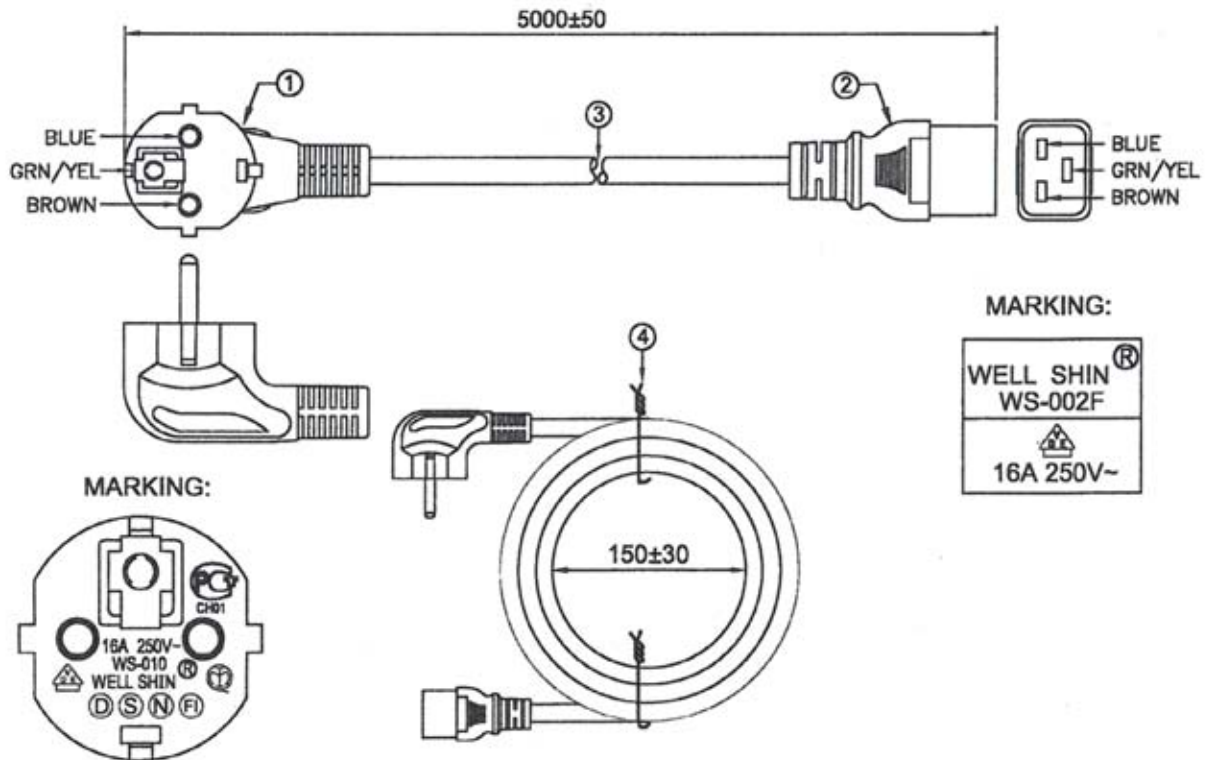
P/N K A C $\frac{x}{1} \frac{x}{2} \frac{x}{3} \frac{E}{2} \frac{N}{3} / \frac{B}{3} \frac{P}{3} - \frac{x}{4} \frac{x}{4} \frac{M}{4} \frac{B}{5}$

1. CORD TYPE:
 "110" H05VV-F 3x0.75MMSQ
 "111" H05VV-F 3x1.0MMSQ
 "112" H05VV-F 3x1.5MMSQ
2. CONNECTOR AT END 1:
 "EN" SWISS TYPE PLUG WITH APPROVAL SEV
3. CONNECTOR AT END 2:
 "BP" IEC-320 C13 R/A SOCKET
 WITH EUROPEAN APPROVAL

4. LENGTH IN METERS:
 1, 2, 3,...etc
5. CORD COLOR:
 "B" BLACK

NOTE: CUSTOMER'S DESIGNS ARE WELCOME!

AC POWER CORDSET WITH EUROPEAN TYPE PLUG TO IEC-320 C19 SOCKET



KAC112EF/DM-5MB

ORDERING INFORMATION:

P/N K A C 112 EF / DM - xx MB

1. CORD TYPE:

"112" H05VV-F 3x1.5MMSQ
 "111" H05VV-F 3x1.0MMSQ

2. CONNECTOR AT END 1:

"EF" EUROPEAN R/A TYPE PLUG
 (APPROVAL SEE DRAWING!)

3. CONNECTOR AT END 2:

"DM" IEC-320-C19 SOCKET
 (APPROVAL VDE)

4. LENGTH IN METERS:

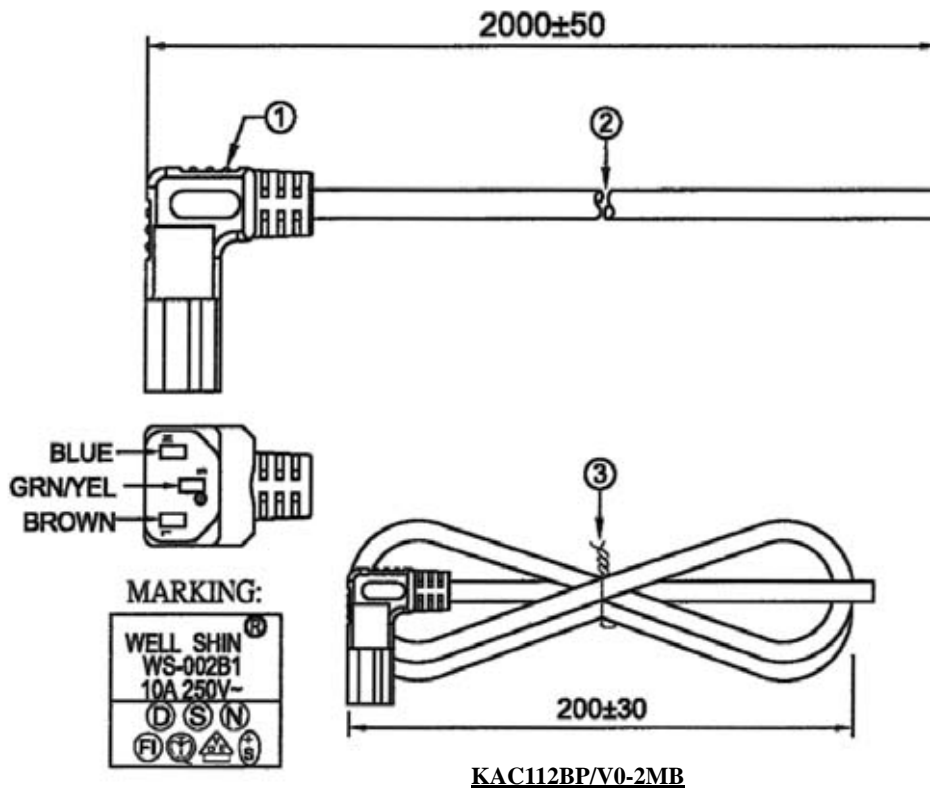
1, 2, 3,...etc

5. CORD COLOR:

"B" BLACK

NOTE: CUSTOMER'S DESIGNS ARE WELCOME!

AC POWER CORDSET WITH IEC-320 C13 R/A SOCKET TO OPEN END



ORDERING INFORMATION:

P/N K A C $\frac{x}{1} \frac{x}{2} \frac{B}{3} P / \frac{V}{4} 0 - \frac{x}{4} \frac{x}{5} M B$

1. CORD TYPE:

- "110" H05VV-F 3x0.75MMSQ
- "111" H05VV-F 3x1.0MMSQ
- "112" H05VV-F 3x1.5MMSQ

2. CONNECTOR AT END 1:

- "BP" IEC-320 C13 R/A SOCKET
WITH EUROPEAN APPROVAL

3. CONNECTOR AT END 2:

- "V0" OPEN END

4. LENGTH IN METERS:

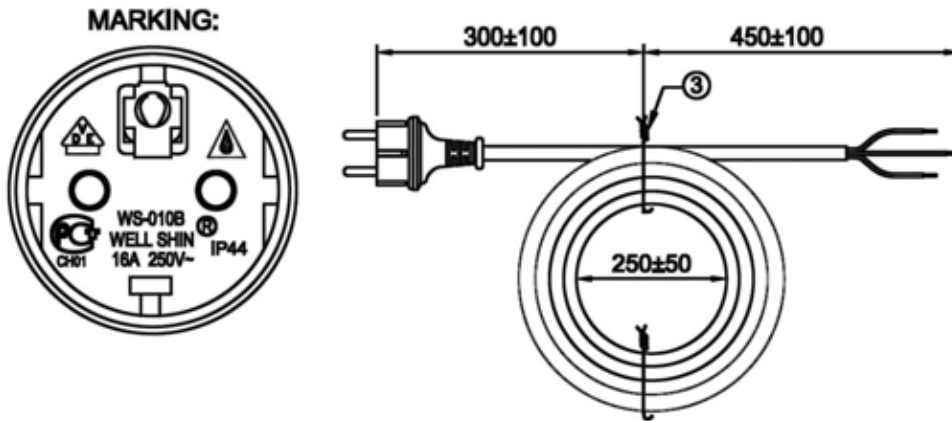
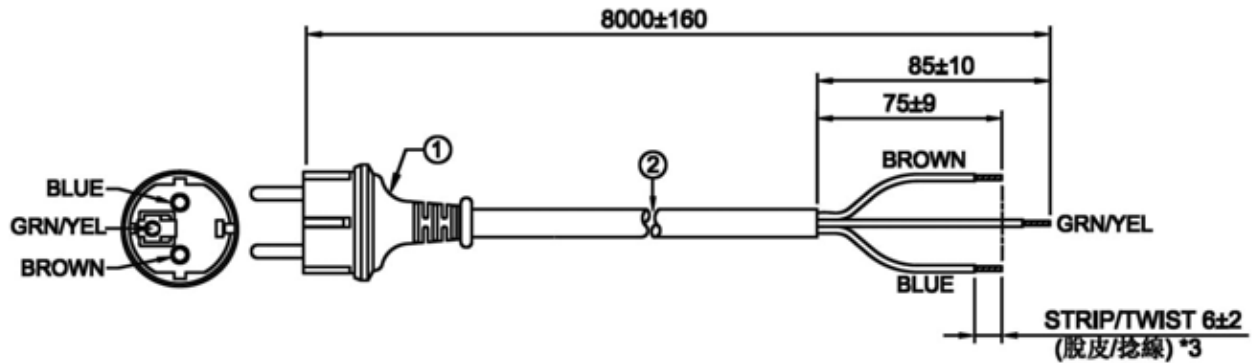
- 1, 2, 3,...etc

5. CORD COLOR:

- "B" BLACK

NOTE: CUSTOMER'S DESIGNS ARE WELCOME!

**AC POWER CORDSET WITH EUROPEAN TYPE PLUG
TO STRIPPED & TWISTED ENDS**



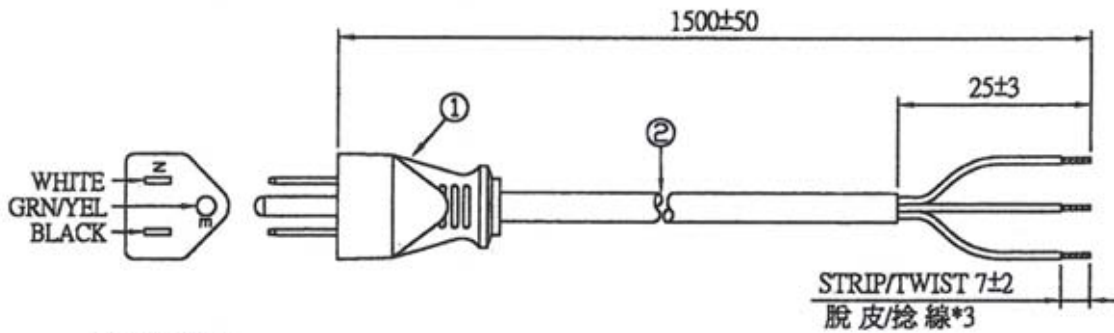
KAC132EK/VA-8MB

ORDERING INFORMATION:

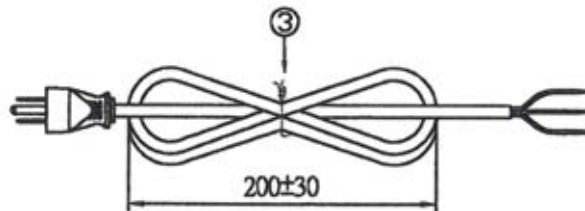
P/N K A C $\frac{x}{1} \frac{x}{2} \frac{E}{3} \frac{K}{4} / \frac{V}{3} \frac{A}{4} - \frac{x}{4} \frac{x}{5} \frac{M}{4} \frac{B}{5}$

1. CORD TYPE:
"132" H07RN-F 3Gx1.50MMSQ
2. CONNECTOR AT END 1:
"EK" EUROPEAN TYPE PLUG WITH VDE APPROVAL,
WATERPROOF IP44 RATED
3. CONNECTOR AT END 2:
"VA" ROJ, STRIPPED & TWISTED COPPER CONDUCTS
4. LENGTH IN METERS:
1, 2, 3,...etc
5. CORD COLOR:
"B" BLACK

**AC POWER CORDS WITH JAPAN TYPE PLUG
TO STRIPPED & TWISTED ENDS**



MARKING:



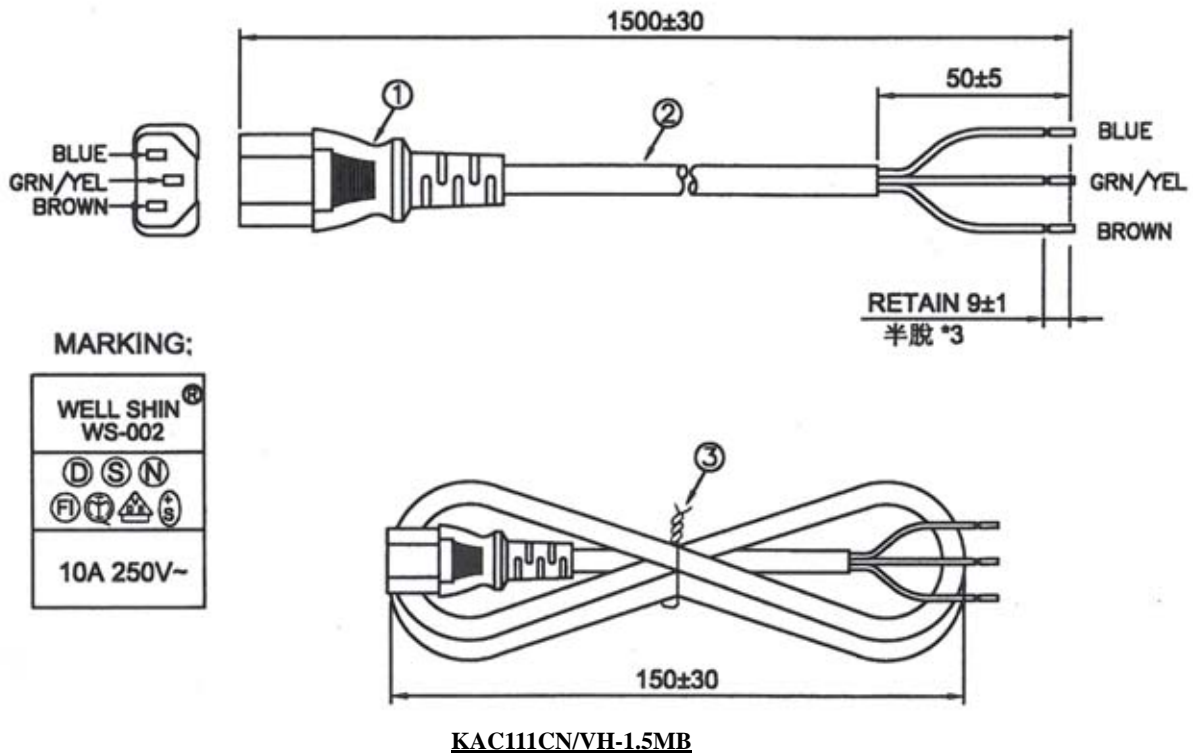
KAC133JD/VA-1.5MB

ORDERING INFORMATION:

P/N K A C $\frac{x}{1}$ $\frac{x}{2}$ $\frac{x}{3}$ J D / V A - $\frac{x}{4}$ $\frac{x}{5}$ M B

1. CORD TYPE:
"133" VCTF 3x0.75MMSQ
2. CONNECTOR AT END 1:
"JD" JAPAN TYPE PLUG WITH PSE APPROVAL
3. CONNECTOR AT END 2:
"VA" ROJ, STRIPPED & TWISTED COPPER CONDUCTS
4. LENGTH IN METERS:
1, 2, 3,...etc
5. CORD COLOR:
"B" BLACK

**AC POWER CORDSET WITH IEC-320 C13 SOCKET TO
RETAIN STRIP INNER INSULATIONS**



ORDERING INFORMATION:

P/N K A C $\frac{x}{1} \frac{x}{2} \frac{x}{3}$ C N / V H - $\frac{x}{4} \frac{x}{5}$ M B

1. CORD TYPE:

- "110" H05VV-F 3x0.75MMSQ
- "111" H05VV-F 3x1.0MMSQ
- "112" H05VV-F 3x1.5MMSQ

2. CONNECTOR AT END 1:

- "CN" IEC-320 C13 SOCKET WITH EUROPEAN APPROVAL

3. CONNECTOR AT END 2:

- "VH" RETAIN STRIP INNER INSULATIONS

4. LENGTH IN METERS:

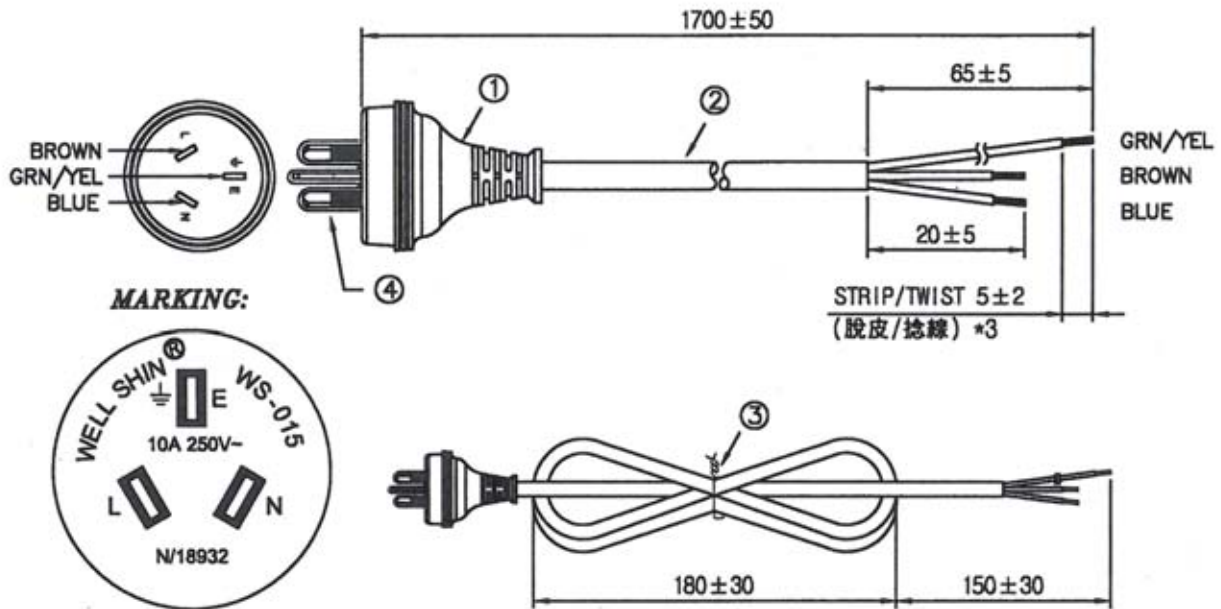
- 1, 2, 3,...etc

5. CORD COLOR:

- "B" BLACK

NOTE: CUSTOMER'S DESIGNS ARE WELCOME!

**AC POWER CORDSET WITH AUSTRALIAN TYPE PLUG TO
TWIST COPPER CONDUCTORS**



KAC110HG/V9-1.7MB

ORDERING INFORMATION:

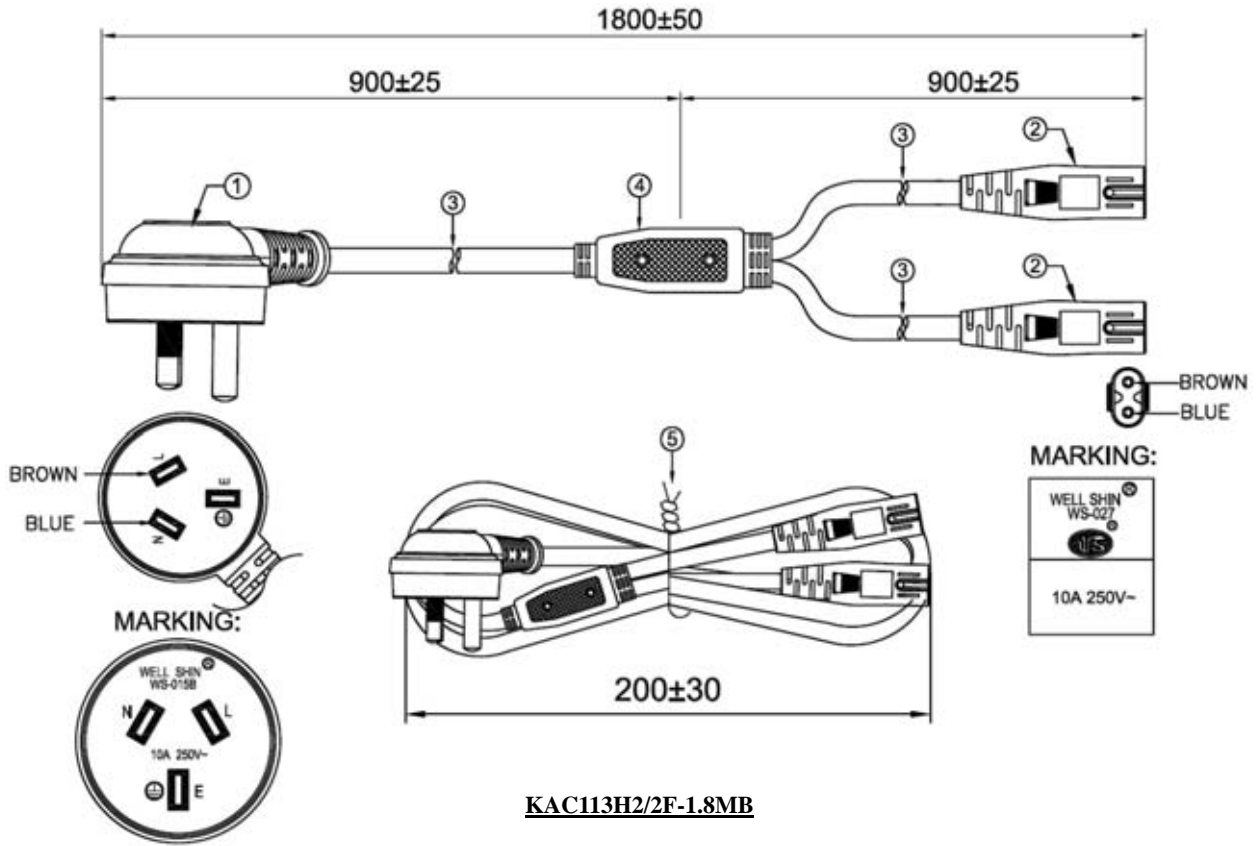
P/N K A C $\frac{x}{1} \frac{x}{2} \frac{x}{3}$ H G / V 9 - $\frac{x}{4} \frac{x}{5}$ M B

1. CORD TYPE:
"110" H05VV-F 3x0.75MMSQ
"111" H05VV-F 3x1.0MMSQ
"112" H05VV-F 3x1.5MMSQ
2. CONNECTOR AT END 1:
"HG" AUSTRALIAN TYPE PLUG
WITH SAA APPROVAL
3. CONNECTOR AT END 2:
"V9" STRIP & TWIST COPPER CONDUCTORS

4. LENGTH IN METERS:
1, 2, 3,...etc
5. CORD COLOR:
"B" BLACK

NOTE: CUSTOMER'S DESIGNS ARE WELCOME!

**AC POWER CORDSET WITH AUSTRALIAN R/A TYPE PLUG
TO 2 x IEC-320-C7 SOCKETS**

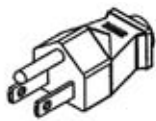


ORDERING INFORMATION:

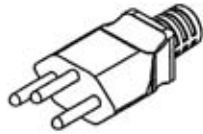
P/N K A C $\frac{x}{1} \frac{x}{2} \frac{H}{3} \frac{2}{4} / \frac{2}{5} \frac{F}{6} - \frac{x}{7} \frac{x}{8} \frac{M}{9} \frac{B}{10}$

1. CORD TYPE:
"113" H05VVH2-F 2x0.75MMSQ
2. CONNECTOR AT END 1:
"H2" AUSTRALIAN R/A TYPE PLUG
WITHOUT APPROVAL
3. CONNECTOR AT END 2:
"2F" 2 x IEC-320 C7 SOCKETS
WITHOUT APPROVAL
4. LENGTH IN METERS:
1, 2, 3,...etc
5. CORD COLOR:
"B" BLACK

AC POWER CORDSET WITH DIVERSE TYPE PLUG TO 2 IEC-320-C5 SOCKETS



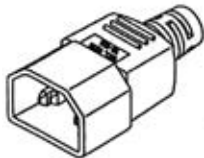
YA



YD



YC



YE



YI



YF

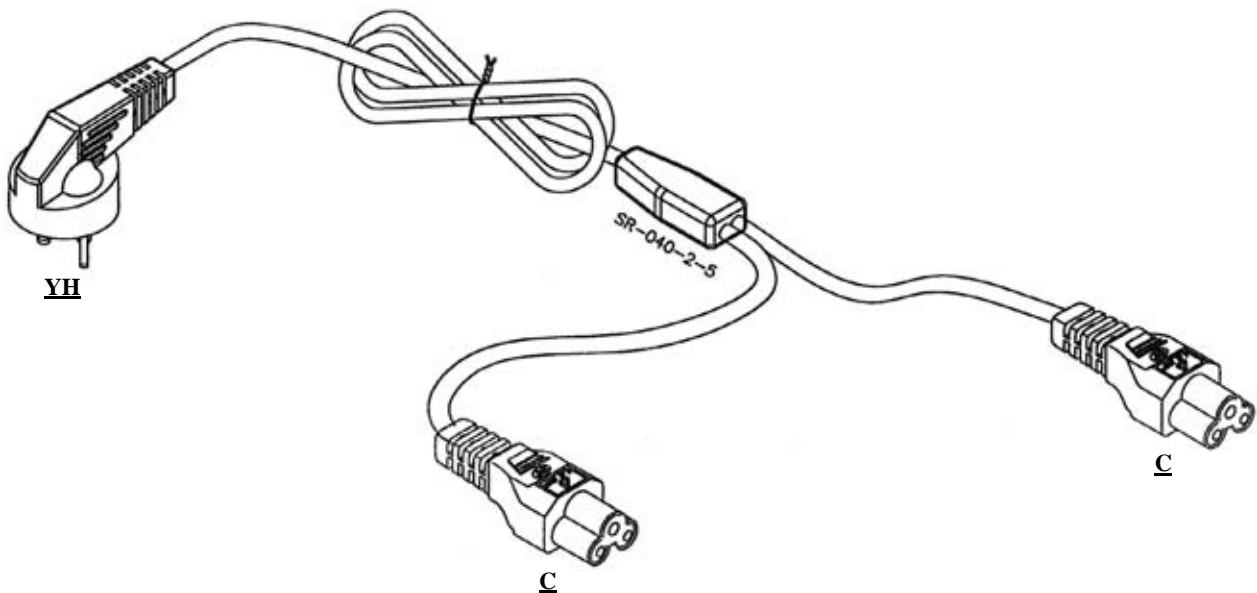


YG



YH

YA= NORTH AMERICAN PLUG (NO APPROVAL)
 YB= IEC-320-C14 PLUG (NO APPROVAL)
 YC= EUROPEAN TYPE PLUG (NO APPROVAL)
 YD= SWISS TYPE PLUG (NO APPROVAL)
 YE= ITALIAN TYPE PLUG (NO APPROVAL)
 YF= UNITED KINGDOM PLUG (NO APPROVAL)
 YG= SOUTH AFRICAN PLUG (NO APPROVAL)
 YH= ISRAEL TYPE PLUG (NO APPROVAL)
 YJ= AUSTRALIAN TYPE PLUG (NO APPROVAL)



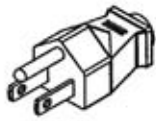
ORDERING INFORMATION:

P/N **K A C** $\frac{\underline{x} \underline{x} \underline{x} \underline{x} \underline{x}}{1 \quad 2} / \frac{2 \underline{C}}{3} - \frac{\underline{x} \underline{x}}{4} \underline{M} \underline{B}$

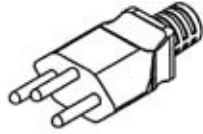
1. CORD TYPE:
101~999
2. CONNECTOR AT END 1:
YA, YB, YC, YD, YE, YF, YG, YH, YJ
3. CONNECTOR AT END 2:
"2C" 2xIEC-320-C5 SOCKETS WITHOUT APPROVAL
4. LENGTH IN METERS:
1, 2, 3,...etc
5. CORD COLOR:
"B" BLACK

NOTE: CUSTOMER'S DESIGNS ARE WELCOME!

AC POWER CORDSET WITH DIVERSE TYPE PLUG TO 2 IEC-320-C13 SOCKETS



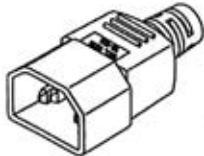
YA



YD



YC



YB



YJ



YE

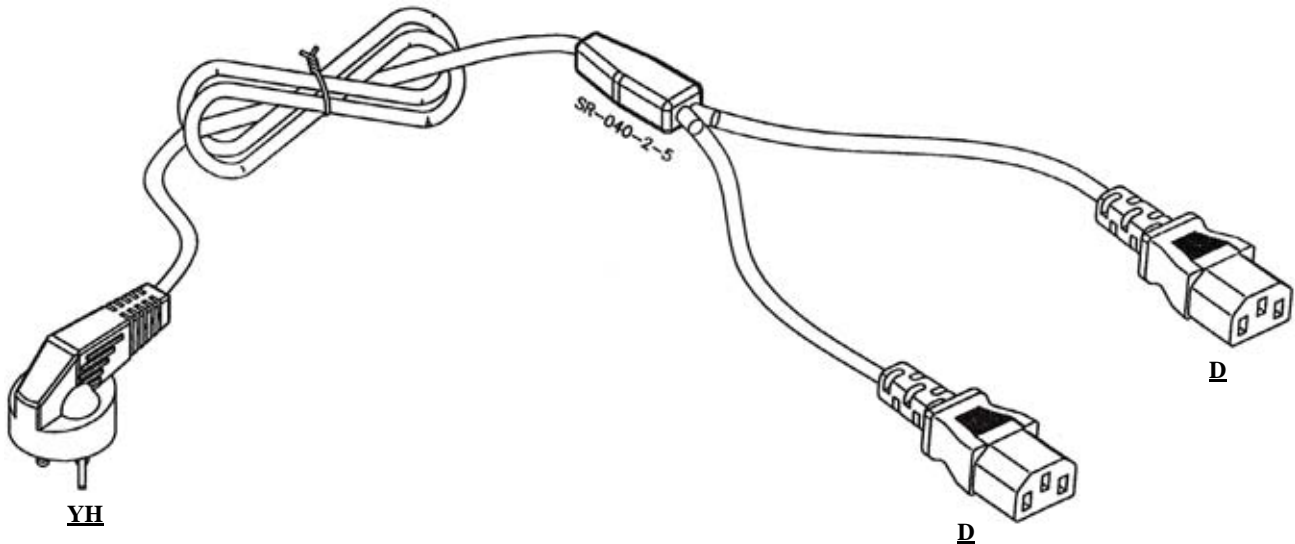


YF



YG

YA= NORTH AMERICAN PLUG (NO APPROVAL)
 YB= IEC-320-C14 PLUG (NO APPROVAL)
 YC= EUROPEAN TYPE PLUG (NO APPROVAL)
 YD= SWISS TYPE PLUG (NO APPROVAL)
 YE= ITALIAN TYPE PLUG (NO APPROVAL)
 YF= UNITED KINGDOM PLUG (NO APPROVAL)
 YG= SOUTH AFRICAN PLUG (NO APPROVAL)
 YH= ISRAEL TYPE PLUG (NO APPROVAL)
 YJ= AUSTRALIAN TYPE PLUG (NO APPROVAL)



ORDERING INFORMATION:

P/N K A C $\frac{1}{x} \frac{2}{x} \frac{3}{x} / \frac{4}{2} \frac{5}{D} - \frac{6}{x} \frac{7}{x} \frac{8}{M} \frac{9}{B}$

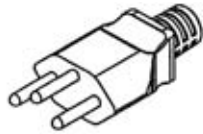
1. CORD TYPE:
101~999
2. CONNECTOR AT END 1:
YA, YB, YC, YD, YE, YF, YG, YH, YJ
3. CONNECTOR AT END 2:
"2D" 2xIEC-320-C13 SOCKETS WITHOUT APPROVAL
4. LENGTH IN METERS:
1, 2, 3,...etc
5. CORD COLOR:
"B" BLACK

NOTE: CUSTOMER'S DESIGNS ARE WELCOME!

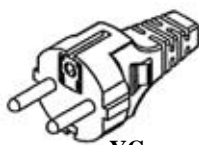
AC POWER CORDSET WITH DIVERSE TYPE PLUG TO 3 IEC-320-C5 SOCKETS



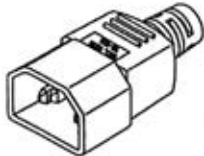
YA



YD



YC



YE



YF



YH

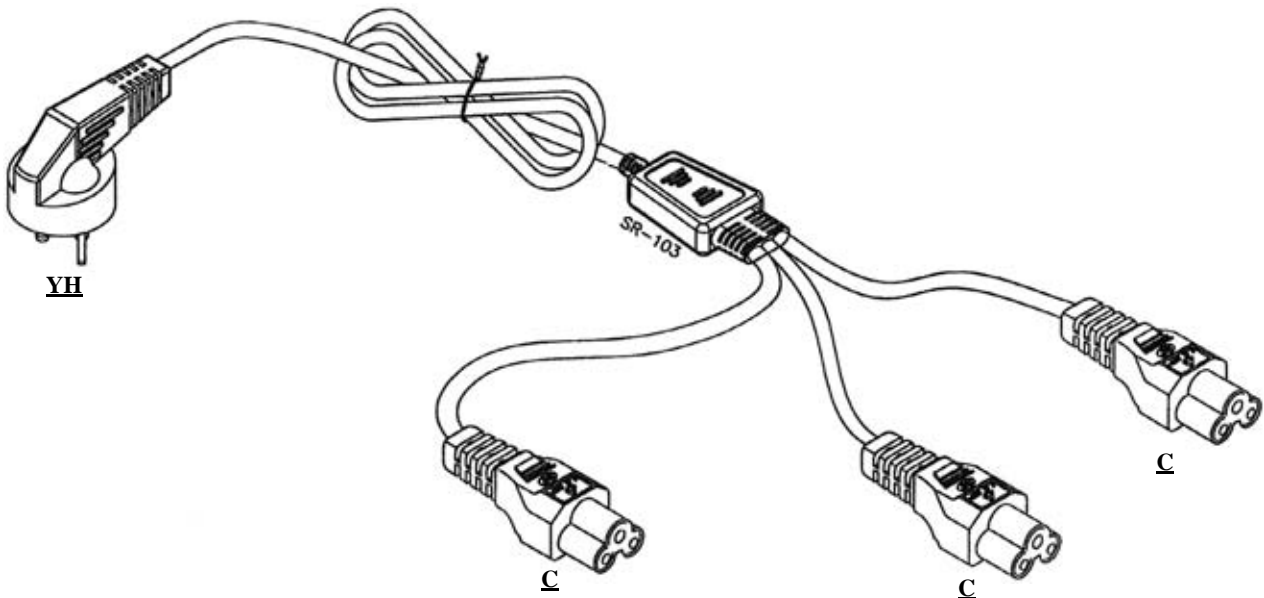


YJ



YI

YA= NORTH AMERICAN PLUG (NO APPROVAL)
 YB= IEC-320-C14 PLUG (NO APPROVAL)
 YC= EUROPEAN TYPE PLUG (NO APPROVAL)
 YD= SWISS TYPE PLUG (NO APPROVAL)
 YE= ITALIAN TYPE PLUG (NO APPROVAL)
 YF= UNITED KINGDOM PLUG (NO APPROVAL)
 YG= SOUTH AFRICAN PLUG (NO APPROVAL)
 YH= ISRAEL TYPE PLUG (NO APPROVAL)
 YJ= AUSTRALIAN TYPE PLUG (NO APPROVAL)



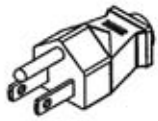
ORDERING INFORMATION:

P/N K A C $\frac{1}{x} \frac{2}{x} \frac{3}{x} / \frac{3}{C} - \frac{4}{x} \frac{5}{M} B$

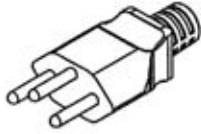
1. CORD TYPE:
101~999
2. CONNECTOR AT END 1:
YA, YB, YC, YD, YE, YF, YG, YH, YJ
3. CONNECTOR AT END 2:
"3C" 3xIEC-320-C5 SOCKETS WITHOUT APPROVAL
4. LENGTH IN METERS:
1, 2, 3,...etc
5. CORD COLOR:
"B" BLACK

NOTE: CUSTOMER'S DESIGNS ARE WELCOME!

AC POWER CORDSET WITH DIVERSE TYPE PLUG TO 4 IEC-320-C13 SOCKETS



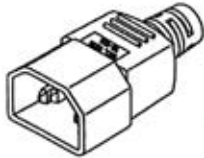
YA



YD



YC



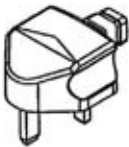
YB



YI



YE

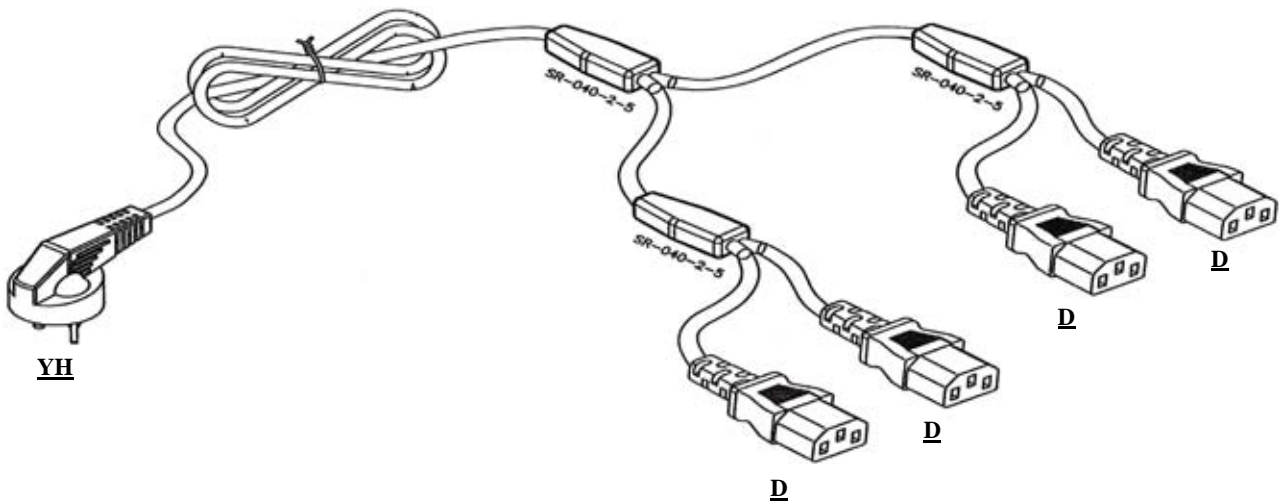


YF



YH

YA= NORTH AMERICAN PLUG (NO APPROVAL)
 YB= IEC-320-C14 PLUG (NO APPROVAL)
 YC= EUROPEAN TYPE PLUG (NO APPROVAL)
 YD= SWISS TYPE PLUG (NO APPROVAL)
 YE= ITALIAN TYPE PLUG (NO APPROVAL)
 YF= UNITED KINGDOM PLUG (NO APPROVAL)
 YG= SOUTH AFRICAN PLUG (NO APPROVAL)
 YH= ISRAEL TYPE PLUG (NO APPROVAL)
 YJ= AUSTRALIAN TYPE PLUG (NO APPROVAL)



ORDERING INFORMATION:

P/N **K A C** $\frac{\text{xxx}}{1} \frac{\text{xx}}{2} \frac{\text{xx}}{3} / \frac{4}{3} \text{D} - \frac{\text{xx}}{4} \text{M} \frac{\text{B}}{5}$

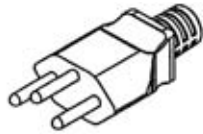
1. CORD TYPE:
101~999
2. CONNECTOR AT END 1:
YA, YB, YC, YD, YE, YF, YG, YH, YJ
3. CONNECTOR AT END 2:
"4D" 4xIEC-320-C13 SOCKETS WITHOUT APPROVAL
4. LENGTH IN METERS:
1, 2, 3,...etc
5. CORD COLOR:
"B" BLACK

NOTE: CUSTOMER'S DESIGNS ARE WELCOME!

AC POWER CORDSET WITH DIVERSE TYPE PLUG TO 5 IEC-320-C5 SOCKETS



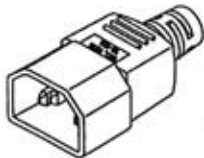
YA



YD



YC



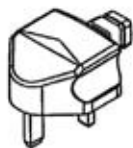
YB



YJ



YE



YF

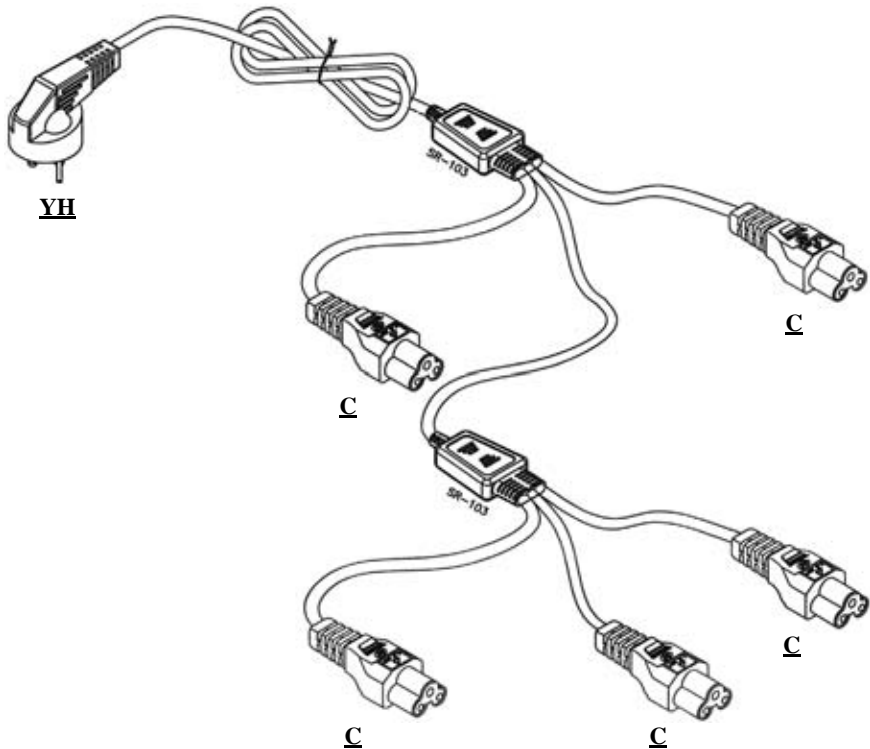


YG



YH

YA= NORTH AMERICAN PLUG (NO APPROVAL)
 YB= IEC-320-C14 PLUG (NO APPROVAL)
 YC= EUROPEAN TYPE PLUG (NO APPROVAL)
 YD= SWISS TYPE PLUG (NO APPROVAL)
 YE= ITALIAN TYPE PLUG (NO APPROVAL)
 YF= UNITED KINGDOM PLUG (NO APPROVAL)
 YG= SOUTH AFRICAN PLUG (NO APPROVAL)
 YH= ISRAEL TYPE PLUG (NO APPROVAL)
 YJ= AUSTRALIAN TYPE PLUG (NO APPROVAL)



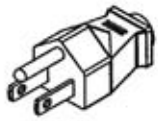
ORDERING INFORMATION:

P/N K A C $\frac{1}{x} \frac{2}{x} \frac{3}{x} \frac{4}{x} \frac{5}{x} / \frac{5}{3} C - \frac{x}{4} \frac{x}{M} \frac{B}{5}$

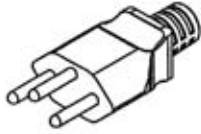
1. CORD TYPE:
101~999
2. CONNECTOR AT END 1:
YA, YB, YC, YD, YE, YF, YG, YH, YJ
3. CONNECTOR AT END 2:
"5C" 5xIEC-320-C5 SOCKETS WITHOUT APPROVAL
4. LENGTH IN METERS:
1, 2, 3,...etc
5. CORD COLOR:
"B" BLACK

NOTE: CUSTOMER'S DESIGNS ARE WELCOME!

AC POWER CORDSET WITH DIVERSE TYPE PLUG TO 5 IEC-320-C13 SOCKETS



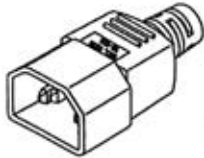
YA



YD



YC



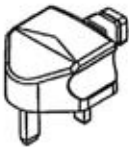
YB



YJ



YE



YF

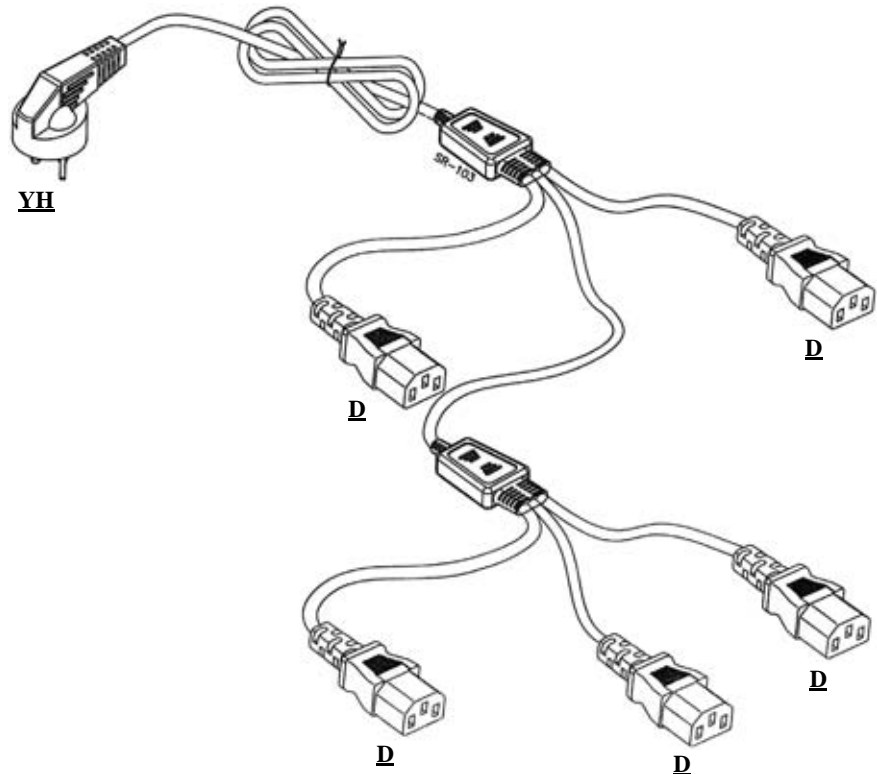


YG



YH

YA= NORTH AMERICAN PLUG (NO APPROVAL)
 YB= IEC-320-C14 PLUG (NO APPROVAL)
 YC= EUROPEAN TYPE PLUG (NO APPROVAL)
 YD= SWISS TYPE PLUG (NO APPROVAL)
 YE= ITALIAN TYPE PLUG (NO APPROVAL)
 YF= UNITED KINGDOM PLUG (NO APPROVAL)
 YG= SOUTH AFRICAN PLUG (NO APPROVAL)
 YH= ISRAEL TYPE PLUG (NO APPROVAL)
 YJ= AUSTRALIAN TYPE PLUG (NO APPROVAL)



ORDERING INFORMATION:

P/N K A C $\frac{x}{1} \frac{x}{2} \frac{x}{3} / \frac{5}{3} D - \frac{x}{4} \frac{x}{5} M B$

1. CORD TYPE:
101~999
2. CONNECTOR AT END 1:
YA, YB, YC, YD, YE, YF, YG, YH, YJ
3. CONNECTOR AT END 2:
"5D" 5xIEC-320-C13 SOCKETS WITHOUT APPROVAL
4. LENGTH IN METERS:
1, 2, 3,...etc
5. CORD COLOR:
"B" BLACK

NOTE: CUSTOMER'S DESIGNS ARE WELCOME!

AC POWER CORDSET WITH DIVERSE TYPE PLUG TO 2 IEC-320-C5 & 3 IEC-320-C13 SOCKETS



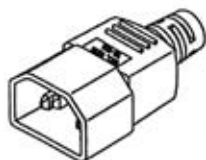
YA



YD



YC



YB



YJ



YE



YF

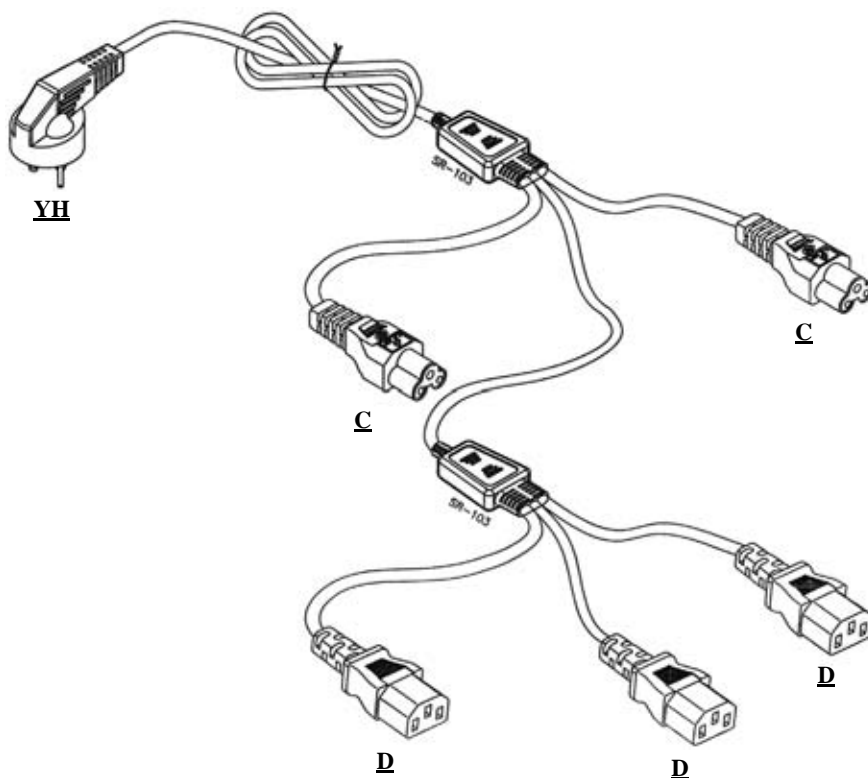


YG



YH

YA= NORTH AMERICAN PLUG (NO APPROVAL)
 YB= IEC-320-C14 PLUG (NO APPROVAL)
 YC= EUROPEAN TYPE PLUG (NO APPROVAL)
 YD= SWISS TYPE PLUG (NO APPROVAL)
 YE= ITALIAN TYPE PLUG (NO APPROVAL)
 YF= UNITED KINGDOM PLUG (NO APPROVAL)
 YG= SOUTH AFRICAN PLUG (NO APPROVAL)
 YH= ISRAEL TYPE PLUG (NO APPROVAL)
 YJ= AUSTRALIAN TYPE PLUG (NO APPROVAL)



ORDERING INFORMATION:

P/N **K A C** $\frac{\underline{\text{X X X X X}}}{\underline{1 \quad 2 \quad 3}}$ / $\frac{\underline{2 \text{ C } 3 \text{ D}}}{\underline{3}}$ - $\frac{\underline{\text{X X M B}}}{\underline{4 \quad 5}}$

1. CORD TYPE:

101~999

2. CONNECTOR AT END 1:

YA, YB, YC, YD, YE, YF, YG, YH, YJ

3. CONNECTOR AT END 2:

"2C3D" 2xIEC-320-C5 SOCKETS WITHOUT APPROVAL & 3xIEC-320-C13 SOCKETS WITHOUT APPROVAL

4. LENGTH IN METERS:

1, 2, 3,...etc

5. CORD COLOR:

"B" BLACK

NOTE: CUSTOMER'S DESIGNS ARE WELCOME!

AC POWER CORDSET WITH DIVERSE TYPE PLUG TO 2 IEC-320-C13 & 3 IEC-320-C5 SOCKETS



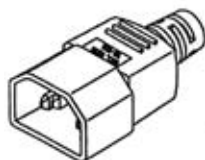
YA



YD



YC



YB



YJ



YE



YF

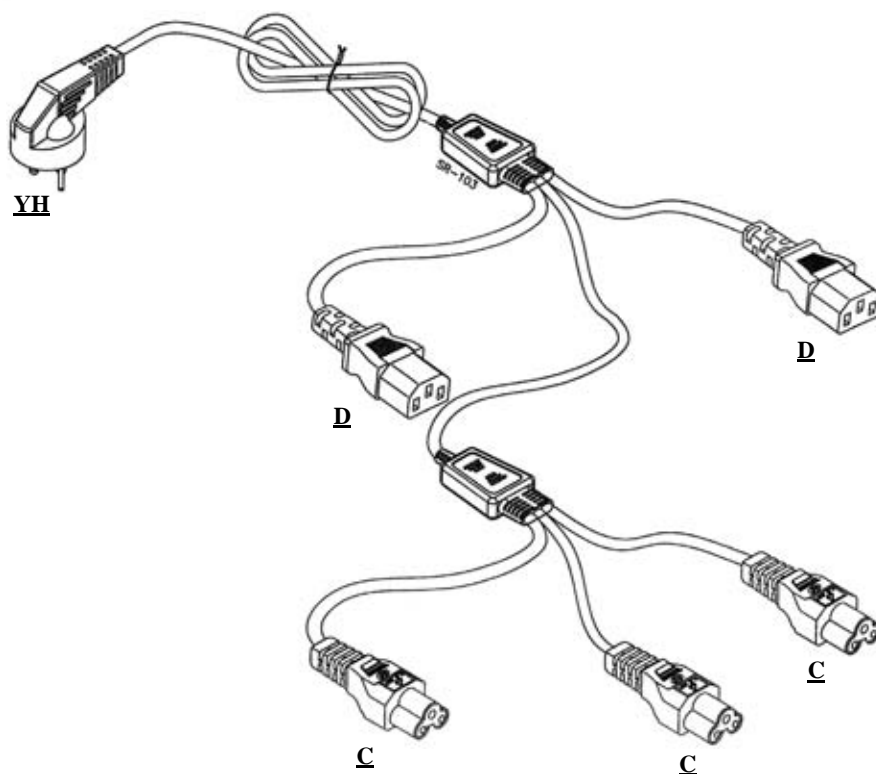


YG



YH

YA= NORTH AMERICAN PLUG (NO APPROVAL)
 YB= IEC-320-C14 PLUG (NO APPROVAL)
 YC= EUROPEAN TYPE PLUG (NO APPROVAL)
 YD= SWISS TYPE PLUG (NO APPROVAL)
 YE= ITALIAN TYPE PLUG (NO APPROVAL)
 YF= UNITED KINGDOM PLUG (NO APPROVAL)
 YG= SOUTH AFRICAN PLUG (NO APPROVAL)
 YH= ISRAEL TYPE PLUG (NO APPROVAL)
 YJ= AUSTRALIAN TYPE PLUG (NO APPROVAL)



ORDERING INFORMATION:

P/N **K A C** $\frac{\underline{x} \underline{x} \underline{x} \underline{x} \underline{x}}{1 \quad 2 \quad 3}$ / $\frac{2 \underline{D} 3 \underline{C}}{3}$ - $\frac{\underline{x} \underline{x} \underline{M} \underline{B}}{4 \quad 5}$

1. CORD TYPE:

101~999

2. CONNECTOR AT END 1:

YA, YB, YC, YD, YE, YF, YG, YH, YJ

3. CONNECTOR AT END 2:

"2D3C" 2xIEC-320-C13 SOCKETS WITHOUT APPROVAL & 3xIEC-320-C5 SOCKETS WITHOUT APPROVAL

4. LENGTH IN METERS:

1, 2, 3,...etc

5. CORD COLOR:

"B" BLACK

NOTE: CUSTOMER'S DESIGNS ARE WELCOME!