
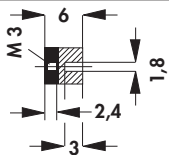
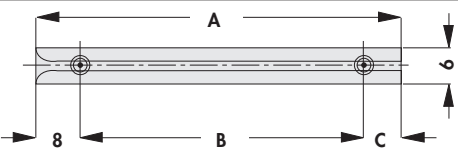

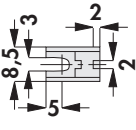
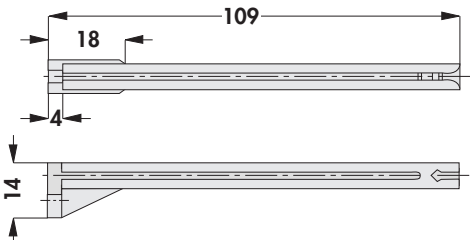

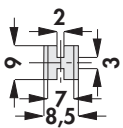
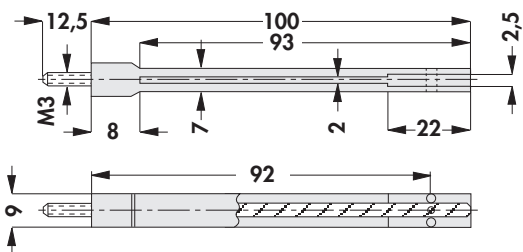


Guide rails

Screw-on type

			
art. no.	dim. [mm]		
FS 6 065	A	B	C
FS 6 070	65	50	7
FS 6 080	70	67	12
FS 6 090	80		5
FS 6 100	90	84	15
FS 6 110	100		8
FS 6 120	110		18
FS 6 130	120		28
FS 6 130	130		38
material:	polycarbonate, GF reinforced		
temperature range:	-20°C... +130°C		
thread nut:	brass nickel-plated		
class of inflammability:	UL 94 V-0		

art. no.			
FS 109			
art. no.			
FS 100			
material:	polyamide, GF reinforced		
temperature range:	permanent up to 100°C		
class of inflammability:	UL 94 V-0		

A

Guide rails

B

C

D

E

F

G


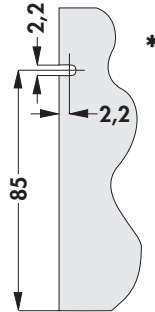
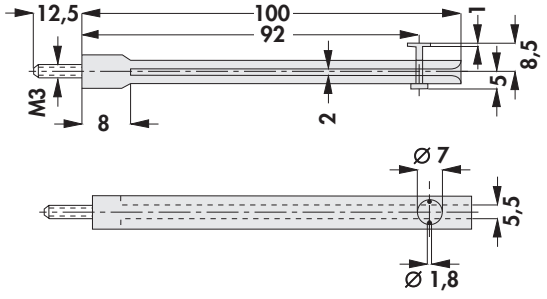
H

I

K

L

M

art. no.	  	
MSVL 100	* = position of snap-in slot	
material:	polyamide, GF reinforced	
temperature range:	-40°C... +205°C	
class of inflammability:	UL 94 V-0	

N



Lockable mounting rails

- lockable by pushing the plastic pin or the metal button
- no conductive connection to the PCB
- the PCB requires a snap-in slot in accordance to the drawing
- other position with locking device on request
- * = position of snap-in slot

art. no.	version	dim. [mm]		art. no.	version	dim. [mm]	
FS 85 50	without bolting device	L	A	FS 85 70	without bolting device	L	A
FS 85 60		50	42	FS 85		70	62
		60	52			85	76
material:		polyamide, GF reinforced					
temperature range:		permanent up to 100°C					
class of inflammability:		UL 94 V-0					
art. no.	version	dim. [mm]		art. no.	version	dim. [mm]	
MSVL 50	with bolting device	L	A	MSVL 70	with bolting device	L	A
MSVL 60		50	42	MSVL 85		70	62
		60	52			85	76
material:		polyamide, GF reinforced					
temperature range:		-40°C... +205°C					
class of inflammability:		UL 94 V-0					

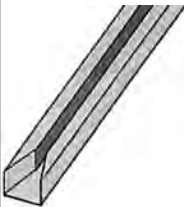
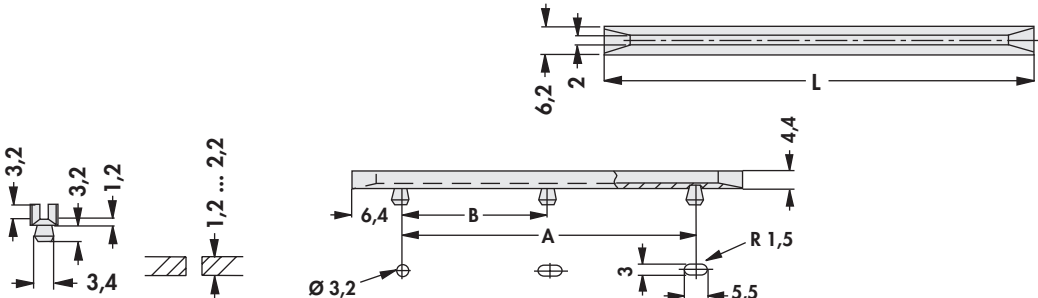
- the guide bars have got mounting holes for vertical and horizontal assembly of printed circuits
- they can also be stacked together horizontally or vertically using pins and treatments

art. no.							
MSHV 90							
material:		polyamide, GF reinforced					
class of inflammability:		UL 94 V-0					

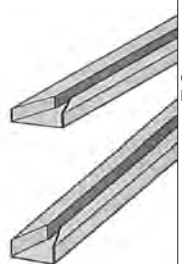
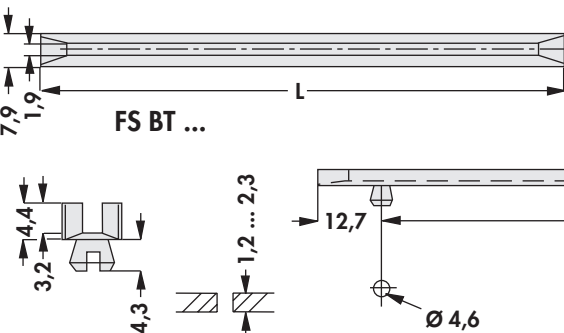
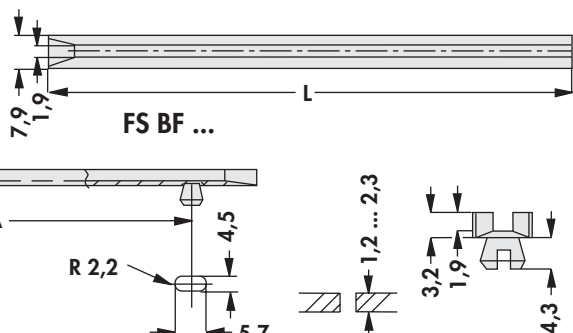
Guide rails

Snap-in

– narrow version

						
	art. no.	dim. [mm]		art. no.	dim. [mm]	
	L	A		L	A	B
FS S 06 2	63.5	50.8	FS S 15 2	152.4	139.7	—
FS S 07 2	76.2	63.5	FS S 16 2	165.1	152.4	—
FS S 08 2	88.9	76.2	FS S 19 3	190.5	177.8	88.9
FS S 10 2	101.6	88.9	FS S 20 3	203.2	190.5	95.2
FS S 11 2	114.3	101.6	FS S 21 2	215.9	203.2	—
FS S 12 2	127.0	114.3	FS S 21 3			101.6
FS S 13 2	139.7	127.0				
material:		nylon, natural coloured				
temperature range:		-40°C... +120°C				
class of inflammability:		UL 94 V-2				

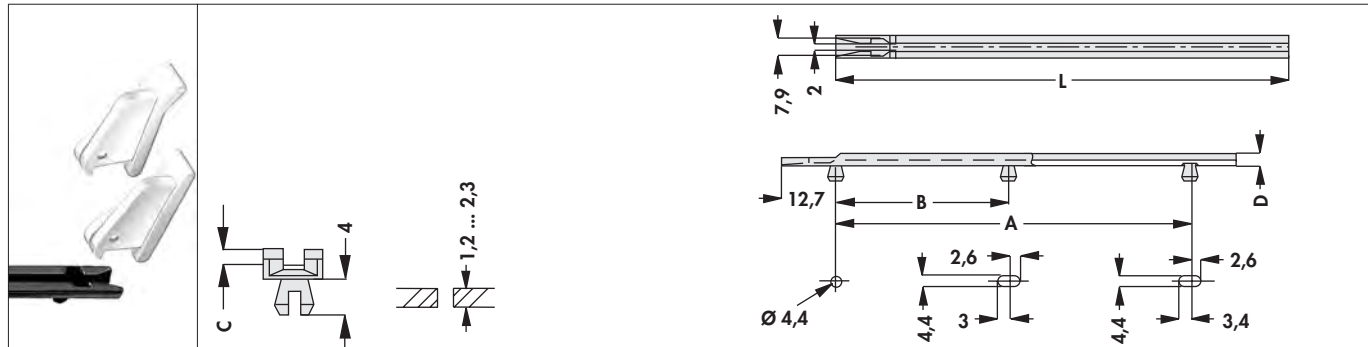
– wide version

							
	art. no.	version	dim. [mm]		art. no.	version	dim. [mm]
		L	A			L	A
FS BT 06	deep groove	63.5	38.1	FS BF 06	shallow groove	63.5	38.1
FS BT 08		88.9	63.5	FS BF 07		76.2	50.8
FS BT 10		101.6	76.2	FS BF 10		101.6	76.2
FS BT 11		114.3	88.9	FS BF 11		114.3	88.9
FS BT 13		139.7	114.3	FS BF 13		139.7	114.3
FS BT 15		152.4	127.0	FS BF 15		152.4	127.0
FS BT 16		165.1	139.7	FS BF 19		190.5	165.1
FS BT 19		190.5	165.1	FS BF 20		203.2	177.8
FS BT 20		203.2	177.8				
material:		nylon, natural coloured					
temperature range:		-40°C... +120°C					
class of inflammability:		UL 94 V-2					

Guide rails

Ejectors

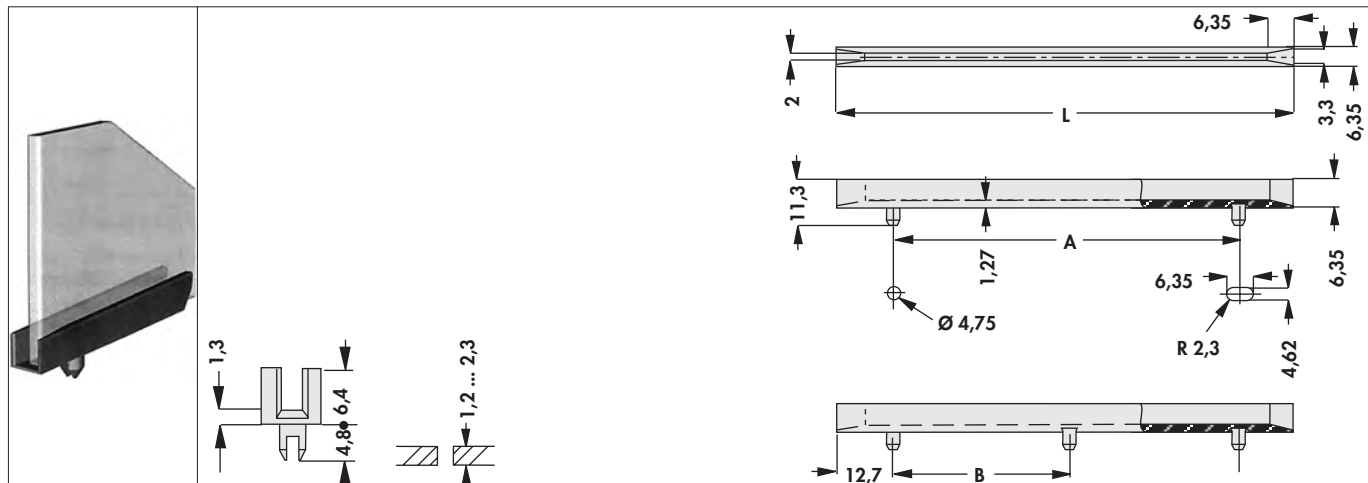
- low profile
- suitable for ejectors **art. no. AHG V 14** und **AHG V 17**



art. no.	dim. [mm]				art. no.	dim. [mm]				
	L	A	C	D		L	A	B	C	D
FS LP 05	50.8	25.8	2.0	3.2	FS LP 15	152.4	127.4	—	2.0	3.2
FS LP 07	76.2	38.5			FS LP 16	165.1				
FS LP 08	88.9				FS LP 17	177.8				
FS LP 10	101.6	76.6			FS LP 22	228.6	191.3	95.7	3.6	
FS LP 11	114.3				FS LP 30	304.8	267.9	134.0		2.4
FS LP 13	139.7									

material: polyamide, GF reinforced
temperature range: -40°C... +120°C
class of inflammability: UL 94 V-0

- deep guideway
- bevelled entrance zone



art. no.	dim. [mm]		
	L	A	B
FS U 06	63.5	38.1	—
FS U 11	114.3	88.9	—
FS U 20	203.2	177.8	88.9

material: polyamide, GF reinforced
temperature range: -40°C... +120°C
class of inflammability: UL 94 V-0

Ejectors

<p>art. no.</p>			
<p>AHG V 14</p>	<p>* = mounting dimensions; locking in FS LP</p>		
<p>art. no.</p>			
<p>AHG V 17</p>	<p>* = mounting dimensions; locking in FS LP</p>		
<p>art. no.</p>			
<p>art. no.</p>			
<p>art. no.</p>			
<p>material:</p>	<p>nylon</p>		
<p>temperature range:</p>	<p>-40°C... +120°C</p>		
<p>class of inflammability:</p>	<p>UL 94 V-2</p>		
<p>type of delivery:</p>	<p>all ejectors with matching spring pin</p>		

